



Office Address
SAIF ZONE | PO Box 8047
Sharjah, UAE.
Skype: Unitech Trading (unitechtrading)
Tel / Fax 00971-6-544-8882
Email <mailto:info@unitechtrading.com>

PRODUCT - VALVES

UNITECH VALVE PRODUCTS

#	Our Valve Products
1	Gate Valve
2	Check Valve
3	Butterfly Valve
4	Air Valve
5	Ball Valve
6	Control Valve
7	Globe Valve
8	Plug Valve
9	Strainer
10	Pipe Fitting



Brief introduction:

The series of gate valves include cast steel gate valve and forged steel gate valve. They are designed and manufactured according to ANSI B16.34. With solid wedge and flexible wedge, so it can be used for different pressures. Gate valves have back seal. Back seal of forged-steel gate valve is weld with stainless steel. So it has perfect sealing. Its maintenance is convenient. Widely used in petroleum, chemistry, water treatment industries.

Features:

- "H" type wedge:

Gate valve has "H" type , flexible single wedge. It can compensate the distortion of body. So it has reliable sealing and prevent wedge against difficult operation because of overload. It is suitable to steam and other high temperature medium.

- Full port design:

Gate valve has full port. So it is convenient to clear pipeline. - Changeable seat:

Seat and body is connected with thread. So seat can be dismantled and changed, It is convenient to maintenance.



Office Address
SAIF ZONE | PO Box 8047
Sharjah, UAE.
Skype: Unitech Trading (unitechtrading)
Tel / Fax 00971-6-544-8882
Email <mailto:info@unitechtrading.com>

PRODUCT - GATE VALVE

ANSI Gate Valve (Cast Steel)

- Precise design

Design the body and bonnet according to precise calculation. body and bonnet have high strength , rigid and flow ability

	Item Name of Parts	Material
1	Body	WCB, C F8
2	Seat	STEEL 25+F211 or CF8
3	Wedge	WCB(Precise cast)+F321
4	Stem	1Cr13 , 2Cr13
5	Gasket	Graphite+1Cr18Ni9Ti
6	Bonnet	WCB,CF8
7	Packing	Flexible Graphite
8	Stem Nut	ASTM A349 GR D2
9	Hand Wheel	KTH300-8

Technical Specification:

- Nominal diameter: 2"-24"
- Applicable Temperature: -29°C~425°C (steel) -40°C~-550°C (stainless steel)
- Nominal pressure: 150Lb 300Lb 600Lb 900Lb 1500Lb
- Applicable Medium: water, gas, oil and other causticity medium.

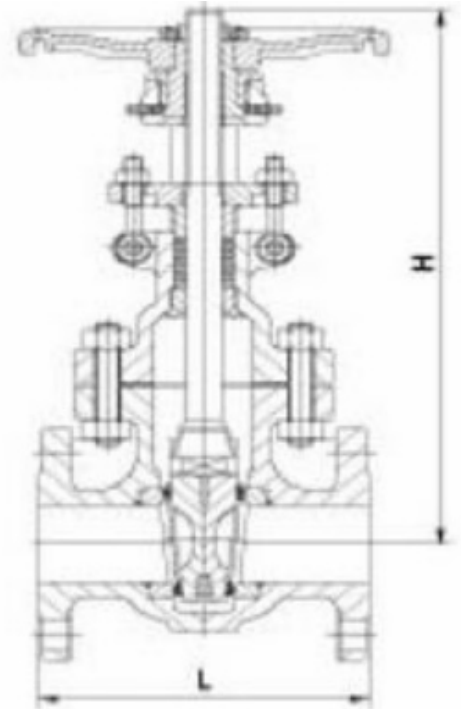
Applications Standard:

- Manufacture standard : ANSI B16.34
- Face to face dimension: ANSI B 16.10
- Flange dimension: ANSI B 16.5.MSS-SP-44
- Test: API 598. API 6D

PRODUCT - GATE VALVE

ANSI Gate Valve (Cast Steel)

Main external and connection dimension



	CLASS 150												
size(in)	2"	2-1/2"	3"	4"	6"	8"	10"	12"	14"	16"	18"	20"	24"
L,RF(mm)	178	191	203	229	267	292	330	356	381	406	432	457	508
L1-BW(mm)	216	241	283	305	403	419	457	502	572	610	660	711	813
L2-RTJ(mm)	191	203	216	241	279	305	343	368	394	419	445	470	521
H(mm)	400	490	510	585	795	1015	1230	1465	1755	2030	2210	2510	2880
K(mm)	200	200	250	300	350	350	400	450	500	500	600	750	750



Office Address
 SAIF ZONE | PO Box 8047
 Sharjah, UAE.
 Skype: Unitech Trading (unitechtrading)
 Tel / Fax 00971-6-544-8882
 Email <mailto:info@unitechtrading.com>

PRODUCT - GATE VALVE

ANSI Gate Valve (Cast Steel)

CLASS 300													
size(in)	2"	2-1/2"	3"	4"	6"	8"	10"	12"	14"	16"	18"	20"	24"
L,RF(mm)	216	241	283	305	403	419	457	502	762	838	914	991	1143
L1-BW(mm)	216	241	283	305	403	419	457	502	762	838	914	991	1143
L2-RTJ(mm)	232	257	298	321	419	435	473	518	778	854	930	1010	1165
H(mm)	470	525	533	610	845	1050	1295	1600	1830	2035	2195	2470	2900
K(mm)	200	200	250	300	350	350	400	450	500	500	600	750	750

CLASS 600													
size(in)	2"	2-1/2"	3"	4"	6"	8"	10"	12"	14"	16"	18"	20"	24"
L,RF(mm)	292	330	356	432	559	660	787	838	889	991	1092	1194	1397
L1-BW(mm)	292	330	356	432	559	660	787	838	889	991	1092	1194	1397
L2-RTJ(mm)	295	333	359	435	562	664	791	841	892	994	1095	1200	1407
H(mm)	495	550	615	735	1005	1245	1480	1730	1915	2050	2260	2620	2900
K(mm)	200	250	300	350	450	500	600	750	850	850	960	960	1000

CLASS 900													
size(in)	2"	2-1/2"	3"	4"	6"	8"	10"	12"	14"	16"	18"	20"	24"
L,RF(mm)	368	419	381	457	610	737	838	965	1029	1130	1219	1321	1549
L1-BW(mm)	368	419	381	457	610	737	838	965	1029	1130	1219	1321	1549
L2-RTJ(mm)	371	422	384	460	613	740	841	968	1038	1140	1232	1334	1568
H(mm)	590	700	740	870	1120	1390	1592	1765	2025	2175	2510	2750	3240
K(mm)	250	300	350	450	500	600	750	850	850	960	960	1000	1000



Office Address
 SAIF ZONE | PO Box 8047
 Sharjah, UAE.
 Skype: Unitech Trading (unitechtrading)
 Tel / Fax 00971-6-544-8882
 Email <mailto:info@unitechtrading.com>

PRODUCT - GATE VALVE

ANSI Gate Valve (Cast Steel)

	CLASS 1500												
size(in)	2"	2-1/2"	3"	4"	6"	8"	10"	12"	14"	16"	18"	20"	24"
L,RF(mm)	368	419	470	546	705	832	991	1130	1257	1384	1537	1664	1943
L1-BW(mm)	368	419	470	546	705	832	991	1130	1257	1384	1537	1664	1943
L2-RTJ(mm)	371	422	473	549	711	841	1000	1146	1276	1407	1559	1686	1972
H(mm)	615	705	750	927	1190	1525	1855	2185	2215	2380	2580	2195	3400
K(mm)	250	350	350	450	600	750	850	850	960	960	1000	1000	1250



Product Standard

1. Design & Production: AWWA C509
2. Flanged Connection: ANSI B16.10
3. Thread(NPT) Connection: ASME B1.20.1
4. Testing & Inspection: AWWA C509
5. Suitable Medium: water and neutral liquid
6. Suitable Temperature: NBR≤80°C, EPDM≤120°C
7. Operator: Hand wheel, Square Nut, Extension stem, Gear operated

(WATERWORKS AND WASTE WATER)

Valves are manufactured and tested in according to AWWA C509, BS563:86-A,B ,DIN 3352-4 ISO 7259-A-B, TIS 1413-2540 etc. Face to face comply with ANSI B16.10, BS 5163, DIN 3202 F4 & F5, ISO 5752 Series 3/14/15/19 Rated pressure PN10, 16, 25, straight through bore type non rising stem and rising stem OS&Y. Cost saving feature is replaceable wedge without taking the valve out from the pipeline. Valves are designed especially for potable water, waste water and suitable for all types of water and air.

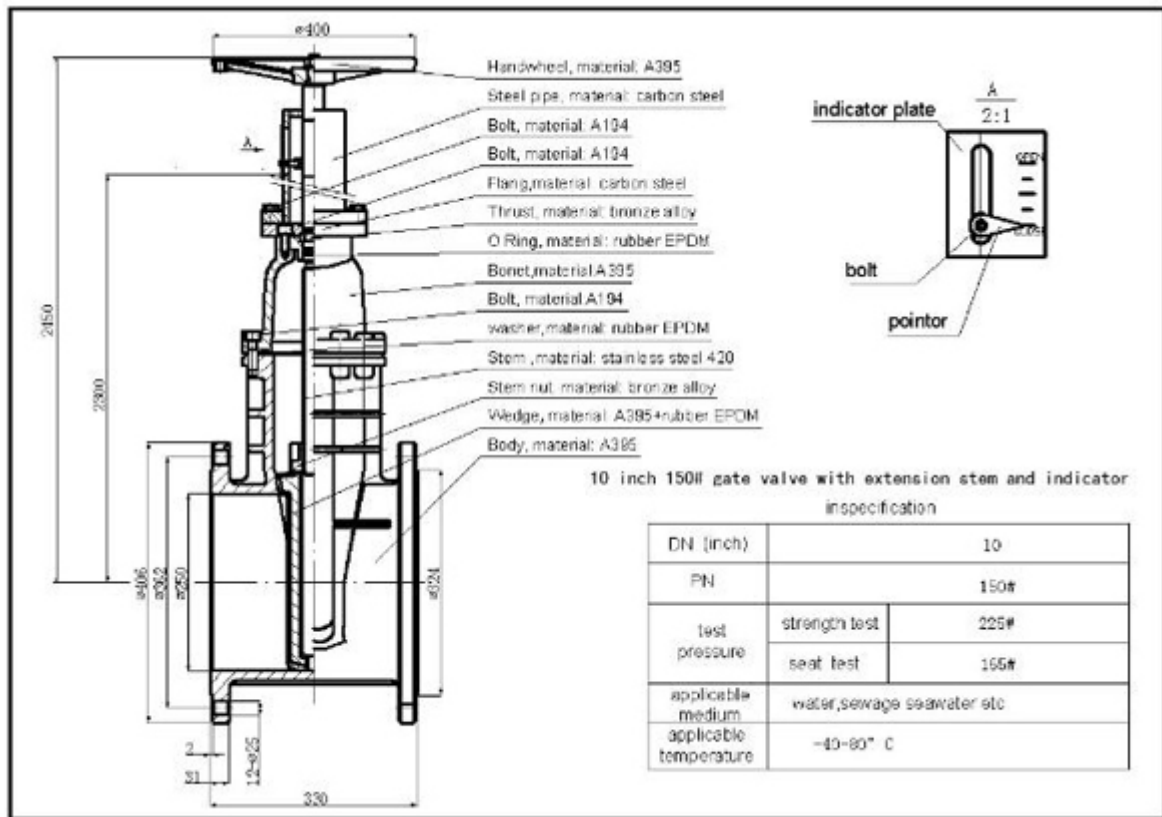
AWWA Gate Valves offer rugged construction, easy operation, long service life and economical maintenance. They are double disc, parallel seat valves meeting or exceeding all requirements of AWWA C500 specifications. Component parts are constructed of heavy, rugged proportions for extra strength to withstand pipe strain and possible shifting in underground service. Clean, simple internal construction assures long service and easy maintenance. All joint ends and all commonly used accessories and operating devices can be furnished upon request.

PRODUCT - GATE VALVE

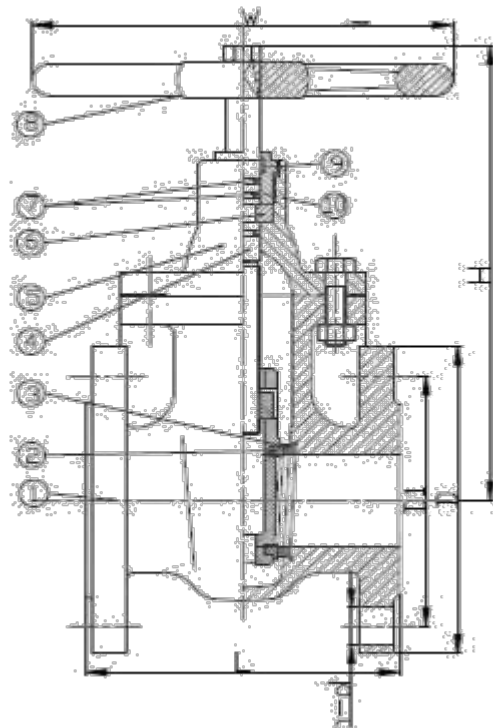
Buried Gate Valve



Buried gate valve with the extension stem, it can be used for underground valve.



The above for your reference, we can make the sizes according to your requirements.



PRODUCT - GATE VALVE

DIN F4 Gate Valve

PARTS AND MATERIAL:

NO.	PARTS NAME	MATERIALS
1	BODY	ASTM A126-B/A536, DIN GG25/GGG40
2	DISC FACE	BRONZE/BRONZE/STAINLESS STEEL
3	SEAT	BRONZE/BRONZE/STAINLESS STEEL
4	STEM	2CR13/BRASS
5	BONNET	ASTM A126-B/A536, DIN GG25/GGG40
6	METAL O-RING	CAST STEEL
7	O-RING	EPDM
8	HAND WHEEL	CAST IRON OR DUCTILE IRON
9	STEM PACKING	EPDM
10	STEM NUT	BRASS

OTHER MATERIALS ARE AVAILABLE UPON REQUEST.

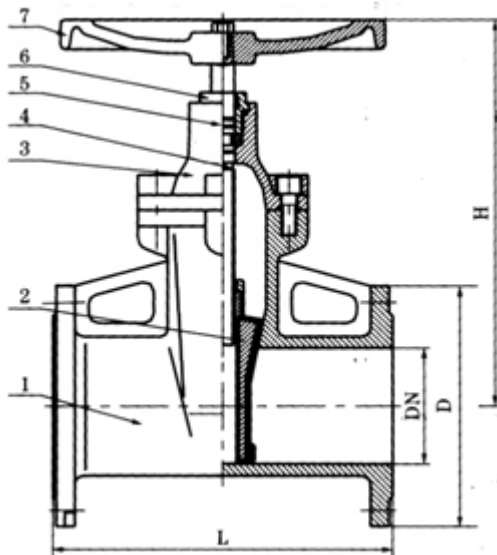
DIMENSIONS LIST(UNIT:MM):

DN	40	50	65	80	100	125	150	200	250	300	350	400	450	500	600
Size	1-1/2"	2"	2-1/2"	3"	4"	5"	6"	8"	10"	12"	14"	16"	15"	20"	24"
L	140	150	170	180	190	200	210	230	250	270	290	310	330	350	390
H	240	255	320	335	380	450	480	600	660	750	820	910	1000	1135	1250
PN10															
D	150	165	185	200	220	250	285	340	395	445	505	565	615	670	780
n	4	4	4	4	8	8	8	8	12	12	16	16	20	20	20
d	18	18	18	18	18	18	22	22	22	22	22	26	26	26	30
D1	110	125	145	160	180	210	240	295	350	400	460	515	565	620	725
PN16															
D	150	165	185	200	220	250	285	340	405	460	520	580	640	715	840
n	4	4	4	8	8	8	8	12	12	12	16	16	20	20	20
d	18	18	18	18	18	18	22	22	26	26	26	30	30	33	36
D1	110	125	145	160	180	210	240	295	355	410	470	525	585	650	770



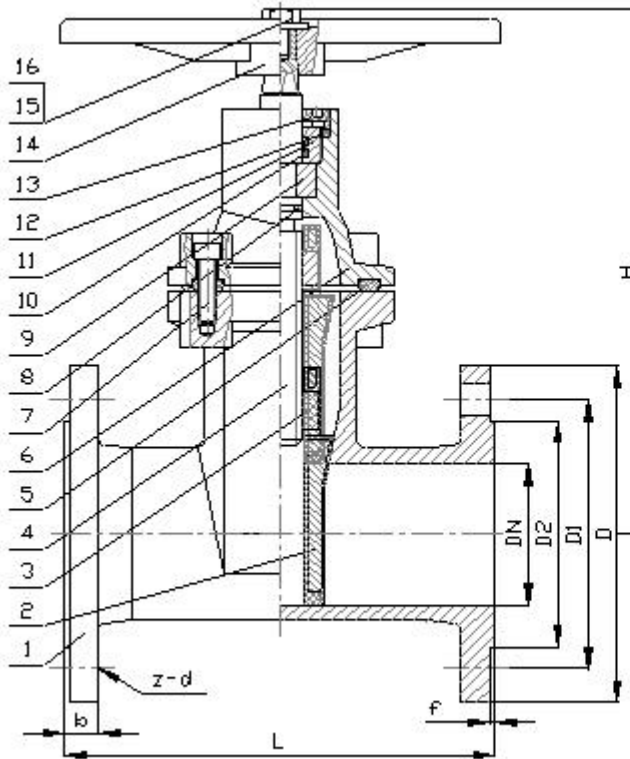
Application: sewage disposal, electric power, chemical, shipping, energy sources etc.

One design as follows for your reference. We can make as per your request.



PRODUCT - GATE VALVE

DIN F5 Gate Valve



DN	D	D1	D2	L	b	f	Z-d	H
ø40	ø150	ø110	ø84	240	19	3	4-ø19	203
ø50	ø165	ø125	ø99	250	19	3	4-ø19	223
ø65	ø185	ø145	ø118	270	19	3	4-ø19	248
ø80	ø200	ø160	ø132	280	19	3	8-ø19	274
ø100	ø220	ø180	ø156	300	19	3	8-ø19	307
ø125	ø250	ø210	ø184	325	19	3	8-ø19	362
ø150	ø285	ø240	ø211	350	19	3	8-ø23	400
ø200	ø340	ø295	ø266	400	20	3	12-ø23	487
ø250	ø400	ø355	ø319	450	22	3	12-ø28	573
ø300	ø455	ø410	ø370	500	24.5	4	12-ø28	661
ø350	ø520	ø470	ø429	550	26.5	4	16-ø28	733
ø400	ø580	ø525	ø480	600	28	4	16-ø31	810
ø450	ø640	ø585	ø548	650	30	4	20-ø31	889

NO	PART NAME	MATERIAL	STANDARD
1	BODY	DUCTILE IRON	GGG50
2	WEDGE	DUCTILE IRON/NBR	GGG50/NBR
3	STEM NUT	BRASS	
4	STEM	STAINLESS STEEL	13CR
5	GASKET	NBR	
6	BONNET	DUCTILE IRON	GGG50
7	BONNET BOLT	CARBON STEEL	A3
8	O-RING	NBR	
9	LOCATING RING	BRASS	
10	O-RING	NBR	
11	BONNET NUT	BRASS	
12	MINIPAD	TFL	
13	DUST RING	NBR	
14	WHEEL	CARBON STEEL	A3
15	WASHER	CARBON STEEL	A3
16	BOLT	CARBON STEEL	A3



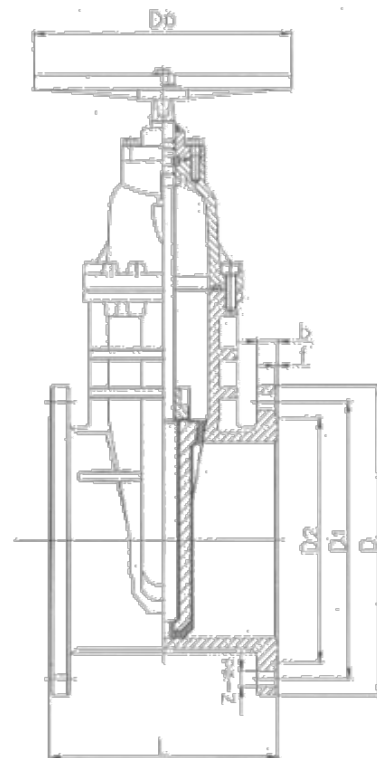
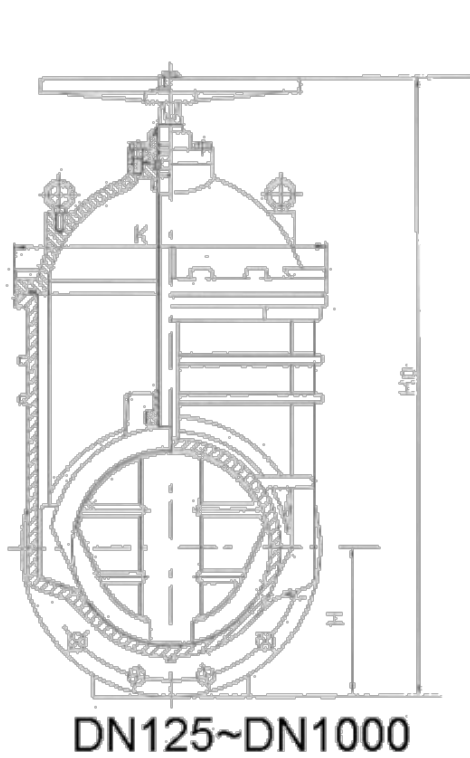
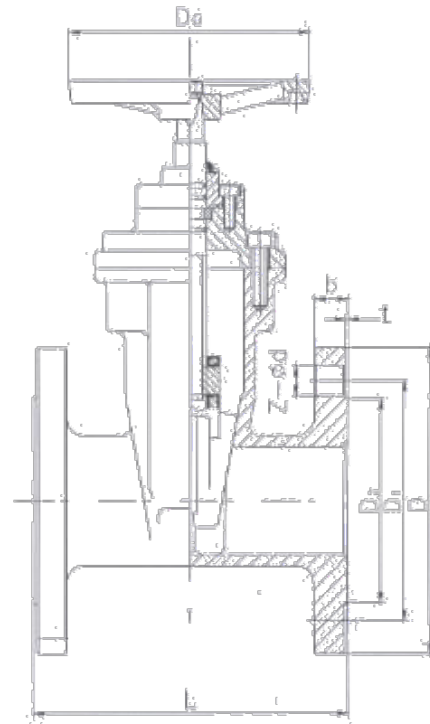
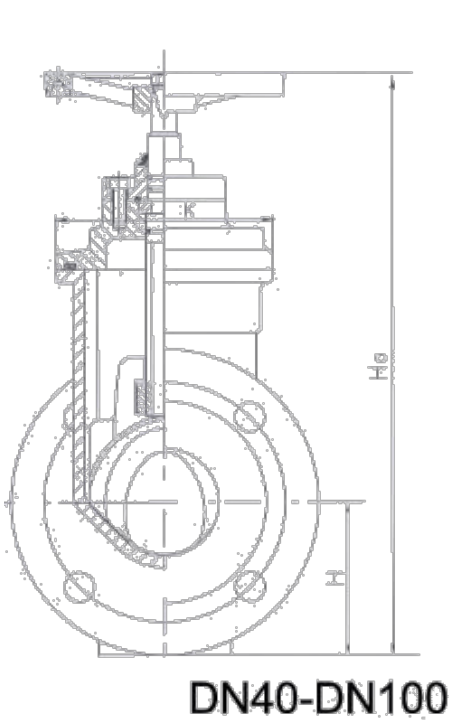
The ductile iron non rising stem gate valve, the whole body of strobe is treated with rubber up to good seal conquering bad seal, slack, rustiness and so on and saving installation space effectively. This valve widely applied in the liquid pipes for open or close fixed in such water, sewage disposal, electric power, energetics pipe, chemical, shipping, energy sources etc.

APPLICABLE STANDARDS

- American Standard
Design to ANSI/AWWA C509
Face to face dimension to ASME B16.10-2000(ISO 3 series)
Flange and drilling To SME/ANSI B16.42-1998
- British Standard
Design to BS5163、 BS5150
Face to face dimension to BS5163(ISO 3series ISO19 series)
Flange and drilling To BS4504 part1(EN1092)
- Germany Standard
Design to DIN3352
Face to face dimension to DIN3202(F4:ISO 14 series;F5: ISO 15 series)
Flange and drilling to BS EN1092

PRODUCT - GATE VALVE

Ductile Iron Non Rising Stem Gate Valve





Metal seat gate valve has been widely used In the fields of Petro-chem, Pharmacy and power etc., it functions by the way of open and close on the pipes of steam, water and oil etc., we can supply the pressure for PN10, PN16 PN25 etc.,

Standard.: BS5163, DIN3352 F4, DIN3352 F5.

Material:

Body/bonnet: grey iron, Ductile Iron

Disc: cast steel+ stainless steel, iron + brass, iron + bronze

Stem: 2Cr13, stainless steel

Seal ring: 2Cr13, brass, bronze

Hand wheel: grey iron ductile iron

Size: 2" to 64," DN50 ~DN1200

Structure: NRS, With By-Pass, Flange End



BRIEF INTRODUCTION :

The non-rising stem gate valve, the whole body of strobe is treated with rubber up to good seal conquering bad seal, slack, rustiness and so on and saving installation space effectively. This valve widely applied in the liquid pipes for open or close fixed in such water, sewage disposal, electric power, energetics pipe, chemical, shipping, energy sources etc.

FEATURES

⊙Shot-blasting

protective surface finished by shot-blasting and the surface is smooth and neatness.

⊙Flatting seat

Smooth continuous bore way without seating recess, it is not easy to get impurity piled up.

Making the liquid straightway.

⊙Treating with rubber

Both inner and outer are coated with advanced knowledge of rubber vulcanization to the elasticity of rubber, and making sure the exact geometry dimension. Rubber and ductile cast iron valve are together hardly. This can avoid fall-off for long-term use.

⊙Anti- corrosion

Both inner and outer are coated with non-toxic powder epoxy resin to strengthen the capacity of Corrosion resisting and raise the quality of water supply.

⊙Ruggedization

The older ductile iron valve is easy to rupture after being impacted by nonego. It can stop rupture depend on the good mechanics capability of ductile iron .

⊙Three “o” sealed ring

With the three “O” – rings, the leakage can be greatly reduced and the “O” – ring can be replaced under this condition with pressure and without stopping water. The thrust axletree reduces the frictional resistance and lowers the operational torque. And it can be switch seal



Office Address
SAIF ZONE | PO Box 8047
Sharjah, UAE.
Skype: Unitech Trading (unitechtrading)
Tel / Fax 00971-6-544-8882
Email <mailto:info@unitechtrading.com>

PRODUCT - GATE VALVE

Non Rising Stem Resilient Seat Gate Valve

ring without opening and closing.

⊙ Rigid round body

The body is founded minutely, the rigid geometry size ensure inner sealing of valve without any process.

⊙ Light weight

This body is made of ductile iron, it is 20%-30% lighter than the olds. Easy to fix and serve.

TECHNIC CRITERION

Nominal pressure: 1.0~1.6MPa

Applicable medium: water, sewage, oil, gas etc.

Applicable temperature: ≤120°C

Main material of valve: ductile iron、 iron.

APPLICABLE STANDARDS

⊙ American Standard

Design to ANSI/AWWA C509

Face to face dimension to ASME B16.10-2000(ISO 3 series)

Flange and drilling To SME/ANSI B16.42-1998

⊙ British Standard

Design to BS5163、 BS5150

Face to face dimension to BS5163(ISO 3series、 ISO19 series)

Flange and drilling To BS4504 part1(EN1092)

⊙ Germany Standard

Design to DIN3352

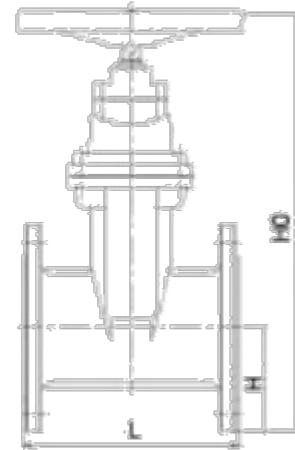
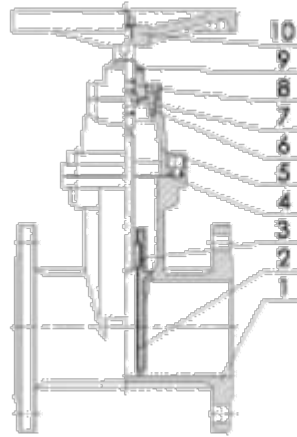
Face to face dimension to DIN3202(F4:ISO 14 series;F5: ISO 15 series)

Flange and drilling to BS EN1092

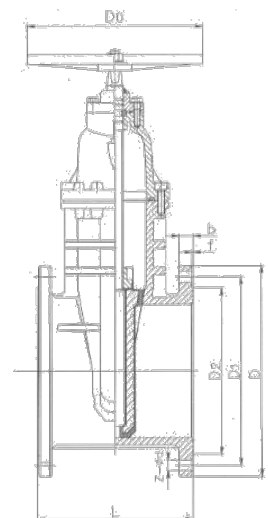
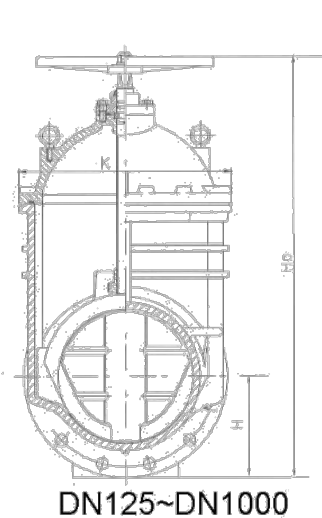
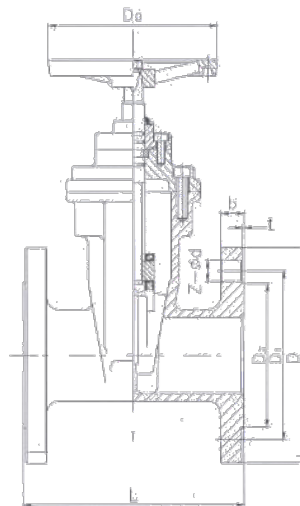
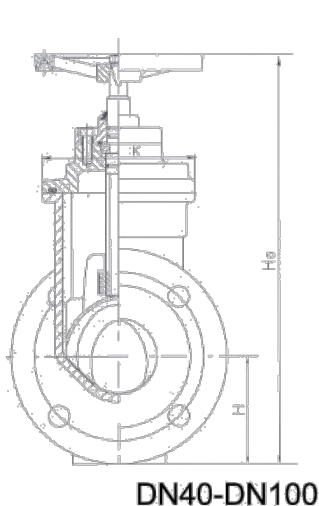
Item Name of part Material Spec

PRODUCT - GATE VALVE

Non Rising Stem Resilient Seat Gate Valve



NO	Part name	Material
1	Body	Ductile cast iron
2	Wedge	Ductile cast iron + EPDM
3	Stem nut	ZCuAl10Fe3 Gunmetal
4	Gasket	EPDM
5	Bonnet	Ductile cast iron
6	Gland gasket	ZCuAl10Fe3 Gunmetal
7	Stem	2Cr13 S.S.x 20Cr13
8	Gland	Ductile cast iron
9	Rubber wiper	EPDM/NBR
10	Hand wheel	Ductile cast iron



PRODUCT - GATE VALVE

Non Rising Stem Resilient Seat Gate Valve

Resilient seated non rising stem British standard, outline and connecting dimensions according to BS5163,(ISO 3 series);BS4504.3.2-89(10BAR);

Diameter DN		Outside dimension					Connection dimension					
mm	inch	L	K	H	H0	D0	D	D1	D2	b	t	Z-d
40	1-1/2"	165	104	75	310	160	150	110	84	19	3	19-Apr
50	2	178	125	83	320	160	165	125	99	19	3	19-Apr
65	2-1/2"	190	130	93	370	180	185	145	118	19	3	19-Apr
80	3	203	152	100	410	180	200	160	132	19	3	19-Aug
100	4	229	195	110	460	250	220	180	156	19	3	19-Aug
125	5	254	255	125	530	280	250	210	184	19	3	19-Aug
150	6	267	286	143	600	320	285	240	211	19	3	23-Aug
200	8	292	345	170	730	380	340	295	266	20	3	23-Aug
250	10	330	415	198	850	400	395	350	319	22	3	23-Dec
300	12	356	480	223	960	450	445	400	370	25	4	23-Dec
350	14	381	520	253	1070	450	505	460	429	25	4	16-23
400	16	406	576	283	1180	500	565	515	480	25	4	16-28
450	18	432	630	308	1300	500	615	565	530	26	4	20-28
500	20	457	695	335	1415	600	670	620	582	27	4	20-28
600	24	508	800	390	1630	600	780	725	682	30	5	20-31
700	28	610	910	448	1810	600	895	840	794	33	5	24-31
800	31-1/2"	660	1020	508	2040	600	1015	950	901	35	5	24-34
900	36	711	1145	558	2350	600	1115	1050	1001	38	5	28-34
1000	40	811	1260	615	2580	600	1230	1160	1112	40	5	28-37



Office Address
SAIF ZONE | PO Box 8047
Sharjah, UAE.
Skype: Unitech Trading (unitechtrading)
Tel / Fax 00971-6-544-8882
Email <mailto:info@unitechtrading.com>

PRODUCT - GATE VALVE

Non Rising Stem Resilient Seat Gate Valve

Resilient seated non rising stem British standard, outline and connecting dimensions according to BS5163,(ISO 3 series);BS4504.3.2-89(16BAR);

Resilient seated non rising stem Chinese standard, outline and connecting dimensions according to GB12221-89(3)(ISO 3 series);GB/T17241.6-98(16 bar)



BRIEF INTRODUCTION

Resilient-seated gate valve is our company cooperated with Shanghai University to research the high-quality green product, importing the advanced technology in Germany. And obtained the P&R&D item in No.3 in Shanghai, the new technology, new material, and new technics are applied that flat bottom type ,and static spray innocuity EP inside and outside surface of valve ,gate disc is covered with rubber etc. it is improve the seal capability, anti-corrosion, life-span and so on. This valve widely applied in the liquid pipes for open or close fixed in such table-water, sewage disposal, foodstuff and medicine, air-condition system, fire protection system, building etc.

FEATURES

Treating with rubber: Both inner and outer are coated with advanced knowledge of rubber vulcanization to ensure the elasticity of rubber and make sure the exact geometry dimension. Rubber and ductile cast iron valve are together hardly which can avoid fall-off for long-term use.

Anti- corrosion: Both inner and outer are coated with non-toxic powder epoxy resin to strengthen the capacity of Corrosion resisting and raise the quality of water supply.

Ruggedization: The older ductile iron valve is easy to rupture after being impacted by nonego. It can stoprupture depend on the good mechanics capability of ductile iron.

Three "O" sealed rings with the three "O"- rings, the leakage can be greatly reduced and the "O"- ring can bere placed under this condition with pressure and without stopping water. The thrust axle tree reduces the frictional resistance and lowers the operational torque. And it can be switch sealing without opening and closing.

PRODUCT - GATE VALVE

Rising Stem Resilient Seat Gate Valve

Rigid round body: The body is founded minutely, the rigid geometry size ensure inner sealing of valve without any process.

Light weight: This body is made of ductile iron; it is 20%-30% lighter than the olds. Easy to fix and service.

TECHNIC CRITERIA

Nominal pressure: 1.01.6MPa

Applicable medium: water sewage oil etc.

Applicable temperature: ≤120oC Main material of valve: ductile Iron, iron.

APPLICABLE STANDARDS: American Standard Design to ANSI/AWWA C509

Face to face dimension to ASME B16.10-2000 (ISO 3 series)

Flange and drilling To SME/ANSI B16.42-1998 British Standard Design to BS5163BS5150

Face to face dimension to BS5163 (ISO 3seriesISO19 series)

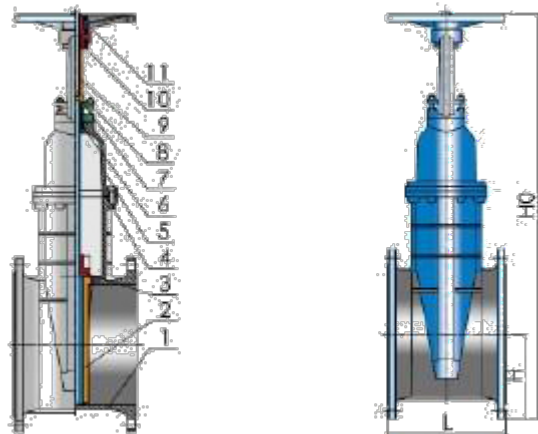
Flange and drilling To BS4504 part1 (EN1092) Germany Standard Design to DIN3352

Face to face dimension to DIN3202 (F4: ISO 14 series; F5: ISO 15 series)

Flange and drilling to BS EN1092Chinese Standard Design to CJ/T219-2005

Face to face dimension to GB12221 (3) (ISO14 series) GB12221 (15) (ISO 15series)

Flange and drilling to GB/T17241-1998



NO	Part name	Material
1	Body	Ductile cast iron
2	Wedge	Ductile cast iron + EPDM
3	Stem nut	ZCuAl10Fe3 Gunmetal
4	Gasket	EPDM
5	Bonnet	Ductile cast iron
6	Packing	EPDM,NBR
7	Gland	Ductile cast iron
8	Stem	2Cr13S.S.x 20Cr13
9	Yoke	Ductile cast iron
10	Hand wheel nut	ZCuAl10Fe3 Gunmetal
11	Hand wheel	Ductile cast iron



Description:

Back seal of forged-steel gate valve is weld with stainless steel. So it has perfect sealing. Its maintenance is convenient. Widely used in petroleum, chemistry, water treatment, industries.

"H" type wedge:Gate valve has H type , flexible single wedge. It can compensate the distortion of body. So it has reliable sealing and prevent wedge against difficult operation because of overload. It is suitable for steam and other high temperature medium.Full port design:Gate valve has full port. So it is convenient to clear pipeline.

Changeable seat:Seat and body is connected with thread. So seat can be dismantled and changed, It is convenient to maintenance.Precise designDesign the body and bonnet according to precise calculation. body and bonnet have high strength , rigid and flow ability.

Main part & material

Item Name of parts	Material	
1	Body	WCB, VF8
2	Seat	STEEL 25+F211 or CF8
3	Wedge	WCB(Precise cast)+F321
4	Stem	1Cr13 , 2Cr13
5	Gasket	Graphite+1Cr18Ni9Ti
6	Bonnet	WCB,CF8
7	Packing	Flexible graphite
8	Stem nut	ASTM A349 GR D2
9	Hand wheel	KTH300-8



Office Address
 SAIF ZONE | PO Box 8047
 Sharjah, UAE.
 Skype: Unitech Trading (unitechtrading)
 Tel / Fax 00971-6-544-8882
 Email <mailto:info@unitechtrading.com>

PRODUCT - GATE VALVE

Socket End Gate Valve

Technical Specification

- Nominal diameter: 2"-24"
- Applicable Temperature: -29 °C ~425 °C (steel)-40 °C ~-550 °C (stainless steel)
- Nominal pressure: 150Lb 300Lb 600Lb 900Lb 1500Lb
- Applicable Medium: water gas oil and other causticity medium.

Applications Standard

- Manufacture standard : ANSI B16.34
- Face to face dimension: ANSI B 16.10
- Flange dimension: ANSI B 16.5.MSS-SP-44
- Test: API 598. API 6D

Main external and connection dimension

CLASS150													
size(in)	2"	2-1/2"	3"	4"	6"	8"	10"	12"	14"	16"	18"	20"	24"
L,RF(mm)	178	191	203	229	267	292	330						
L1-BW(mm)	216	241	283	305	403	419	457	502	572	610	660	711	813
L2-RTJ(mm)	191	203	216	241	279	305	343	368	394	419	445	470	521
H(mm)	400	490	510	585	795	1015	1230	1465	1755	2030	2210	2510	2880
K(mm)	200	200	250	300	350	350	400	450	500	500	600	750	750



Office Address
SAIF ZONE | PO Box 8047
Sharjah, UAE.
Skype: Unitech Trading (unitechtrading)
Tel / Fax 00971-6-544-8882
Email <mailto:info@unitechtrading.com>

PRODUCT - GATE VALVE

Spigot End Gate Valve



Application: Water and sewage

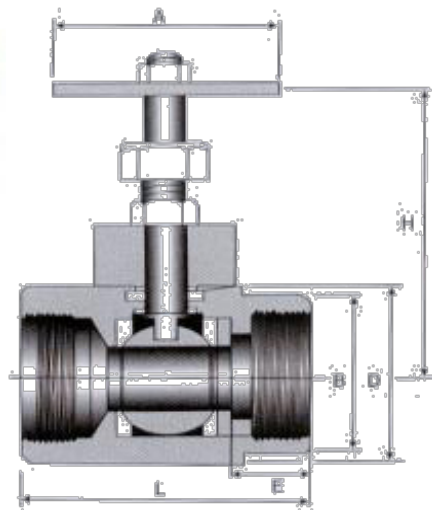
Suitable for replacement of flange valves F5 together with two flange adapters with flange adapter and/or socket pipes

Suitable for replacing old valves where cutting the pipe is necessary

Sturdy stem of stainless steel

Lockable bayonet connection for telescopic stem extension

Composite axial and radial sleeve bearing





Office Address
 SAIF ZONE | PO Box 8047
 Sharjah, UAE.
 Skype: Unitech Trading (unitechtrading)
 Tel / Fax 00971-6-544-8882
 Email <mailto:info@unitechtrading.com>

PRODUCT - GATE VALVE

Stainless Steel Gate Valve

DN	G	L	E	D	H	A	B
6	1/4"		15	23			20
10	3/8"		15	26			23
15	1/2"	55	17	31	94	70	28
20	3/4"	60	18	38	102	70	35
25	1"	66	20	46	114	80	42
32	1-1/4"	75.5	21.5	56	124	80	51
40	1-1/2"	85	23	63	152.5	100	59
50	2"	96	24.5	76	169.5	100	71

Specification

Nominal pressure(Mpa)	PN	1.5,2.6,4.0,5.4
Strength testing pressure(Mpa)	PT	2.4,3.6,6.0,9.6
Low pressure seal test(Mpa)		0.6
High pressure seal test(Mpa)		2.0,3.0,4.8,7.6
Applicable medium	water, oil, gas, nitric acid, acetic acid	
Applicable temperature	-40 ~ 180 °C	

Main part & material

Part name	Material
body	WCB,ZG1Cr18Ni9Ti,CF8,CF8M
Disc	1Cr18Ni9Ti 304,316
stem	1Cr18Ni9Ti 304,316
Seal ring	304,316(CF8,CF8M)
Packing	Polytetrafluoroethylene (PTFE)



Brief Description

Ball check valves are often very small, simple, and cheap. They are commonly used in liquid or gel mini pump dispenser spigots, spray devices, some rubber bulbs for pumping air, etc., manual air pumps and some other pumps, and refillable dispensing syringes. Although the balls are most often made of metal, they can be made of other materials.

PN : 1.0 ~ 1.6MPa

DN : 50 ~ 1000mm

Medium : water

Temperature : 0 ~ 80 °C

Flange drill : DIN

Dimension

DN (mm)	50	65	80	100	125	150	200	250	300	350
L	203	216	241	292	330	356	495	622	698	781
H	180	210	225	245	280	320	380	450	470	500
H1							510	570	640	715



Brief Description

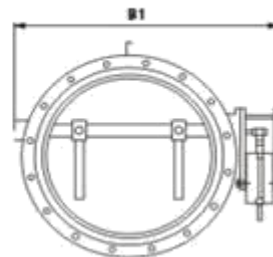
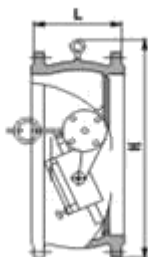
The product has novel structure, small size, and fluid resistance small, smooth operation, reliable sealing, wear resistance, cushioning performance and good features, is the best industrial water and sewage products.

The valve used for industrial water supply buffer, sewage treatment plants, pump outlet to prevent the pipe network upstream.

Technical Parameters					
Part	Body	Butterfly	Seal-ring	Stem	Packing
Material	Casting pig	Cast Iron, Ductile Iron	Oil- resisting chemigum, chloroprene rubber	Stainless steel	PTFE

PRODUCT - CHECK VALVE

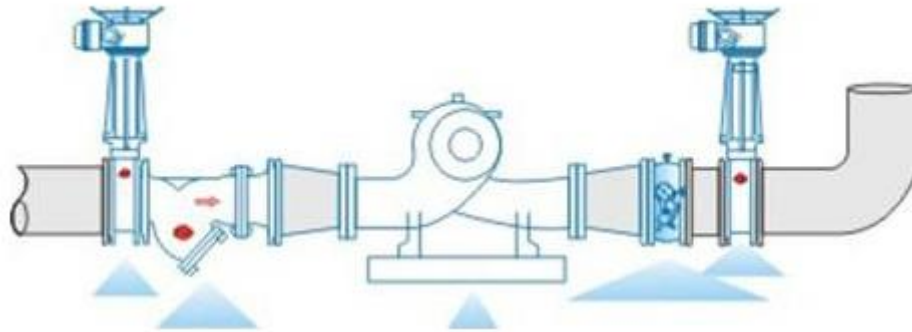
Butterfly Buffer Check Valves



Materials						
Model	PN(MPa)	Test pressure (MPa)		Working pressure	Medium temperature	Suitable medium
		Casing	Seal			
H47X,H47H,HH47X, HH47XF, HH47H, HDH47X	1	1.5	1.1	1	≤80 °C	Water, oil good, sea water, sludge
	1.6	2.4	1.75	1.6		
	2.5	3.75	2.75	2.5		

Dimensions							
DN	Dimension (mm)						
mm	L	D	D1	D2	H	B1	B2
200	230	360	310	278	550	540	600
250	250	425	370	332	630	600	700
300	270	485	430	390	690	650	740
350	290	550	490	448	780	710	800
400	310	610	550	505	860	770	870
450	330	660	600	555	910	830	920
500	350	730	660	610	980	900	1000
600	390	840	770	718	1070	1090	1250
700	430	955	875	815	1220	1200	1360
800	470	1070	990	930	1320	1320	1480
900	510	1180	1090	1025	1430	1420	1580
1000	550	1350	1210	1140	1550	1550	1700
1200	630	1525	1420	1350	1800	1780	1950
1400	710	1750	1640	1560	1980	2000	2175

Typical Installation





Brief introduction :

Widely used for water supply pipe network of high-rise buildings, a certain medium of a corrosive and restricted installation space as well as sewer network.

Features:

- The valve seat is designed to multi term narrow bands and vulcanized on valve body by complete seal with no leak.
- Structure of butterfly dual plate check valve is safe and reliable with high external force and low trash rack loss.
- Such kind of valve structure installed conveniently with short length and good rigidity.

Main part & material

Body: gray cast iron, carbon steel

Disc: stainless steel

Spring: Stainless steel

Seat: Stainless steel, NBR

Stem: Stainless steel

Technical Specification

- Nominal diameter : 50 ~ 60 0 mm

- Nominal pressure : 1.0~2.5 Mpa

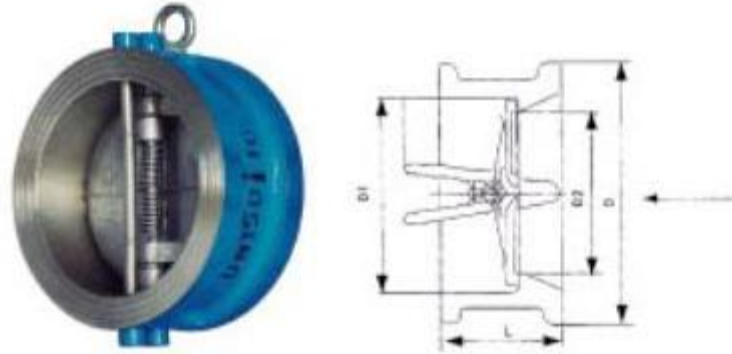
-Medium: freshwater, sewage, seawater, salt, alkali, acid, leechdom, steam, oil, food, etc.

-Work temperature: 0~80 °C

PRODUCT - CHECK VALVE

Dual Plate Check Valve

Main external and connection dimension



DN	50	65	80	100	125	150	200	250	300	350	400	450	500	600
Hard seal	60	67	73	73	83	98	127	146	181	184	198	203	219	222
rubber seal	43	46	64	64	70	76	89	114	114	127	140	152	152	178
D1	65	78	91	117	114	171	222	276	327	377	426	475	520	620
D2	48	57	70	91	113	135	176	222	270	320	365	420	475	570
1.0Mpa	105	124	137	162.5	192.5	218	273	328	378	438	482	532	590	690
1.6/2.5MPa	105	124	137	162.5	192.5	218	273	329	384	444	482	550	590	690



Brief introduction :

Sliding ball type check valves disc is a ball coated with rubber and dependent on the line pressure .The ball can slide up and down in the integrated chute in the body to open or close the valves without any noise and water-hammering and good sealing capability. The bore is full without any block so the flow rate is much with little resisting force and little pressure loss and water-head loss is 50% of swing check valves. It can be installed vertically or horizontally and widely used in cold water's, hot water's, industry's and sewage's pipeline and it is more for sewage submersible pump.

Mail part & material

Body: Cast iron, ductile cast iron

Bonnet: Cast iron, ductile cast iron

Ball: cast iron coated with rubber

Technical Specification

Nominal pressure: 1.0-1.6MPa

Nominal diameter: 50-350mm

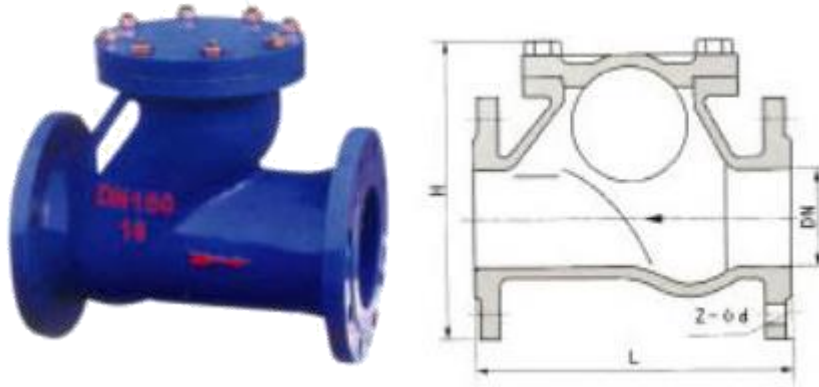
Medium: water and weak corrosive fluid

Working temperature: 0-80°C

Flanged end: GB/T17241.6 GB9113

Inspection and test: GB/T 13927 API 598

Main external and connection dimension



DN	50	65	80	100	125	150	200	250	300	350
L	180	200	260	300	350	400	500	600	700	800
H	185	210	245	280	335	400	495	600	715	820

**Brief introduction :**

Forged steel check valves are available in three bonnet designs. The first design is the Bolted Bonnet, with male-female joint, spiral wound gasket, made in F304/graphite Ring joint gasket are also available on request. The second design is the welded bonnet, with a threaded and seal welded joint. On request a full penetration strength welded joint is available. The third design is the pressure seal bonnet, with a threaded and pressure seal bonnet joint. The check valve is also available in three different design configurations. These are piston check, ball check, or swing check designs.

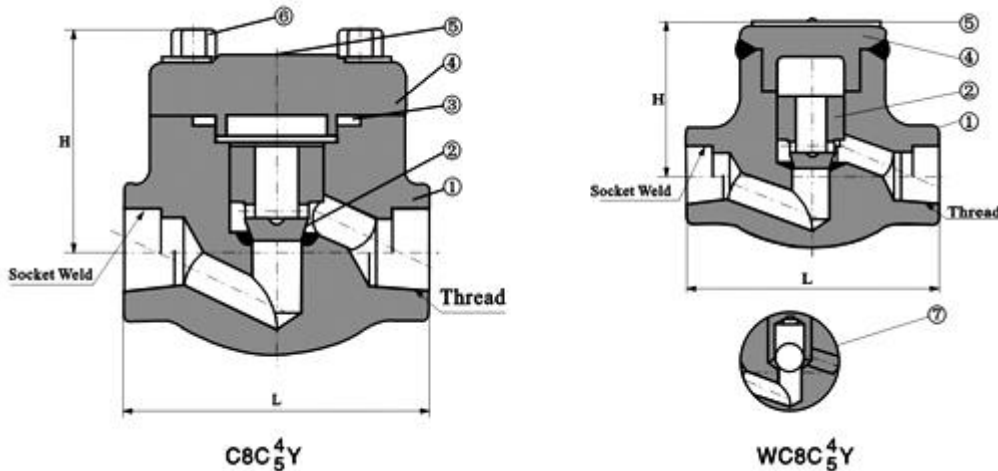
Technical Specification

- ❖ Globe valves conform to API 602, and ASME B 16.34 ✕ each are tested according to API 598, and marking is per MSS SP-25
- ❖ Full Port or Conventional Port ✕ Outside Screw and Yoke(OS & Y) ✕ Two piece self-aligning packing gland
- ❖ Bolted bonnet with spiral wound gasket, threaded and seal welded bonnet or threaded and pressure seal bonnet
- ❖ Integral backseat
- ❖ Socket weld ends to ASME B16.11
- ❖ Screwed Ends (NPT) to ANSI/ASME B1.20.1

PRODUCT - CHECK VALVE

Forged Steel Check Valve

Main external and connection dimension



Standard Material Specification

NO.	Part Name	CS to ASTM	AS to ASTM	SS to ASTM	
		Type A105	Type F22	Type F304(L)	Type F316(L)
1	Body	A105	A182 F22	A182 F304(L)	A182 F316(L)
2	Piston Disc	A276 410	A276 304	A276 304(L)	A276 316(L)
3	Gasket	Corrugated SS+ graphite		SS+PTFE	
4	Bonnet	A105	A182 F22	A182 F304(L)	A182 F316(L)
5	Nameplate	SS			
6	Bolt	A193 B7	A193 B16	A193 B8M	A193 B8M
7	Ball	A182 F304	A182 F304	A182 F304	A182 F304
Suitable Medium		Water, oil, gas etc.,		Water, oil, gas etc.,	HNO 3 ,CH 3 OOH etc
Suitable Temperature		-29 °C ~425 °C		-29 °C ~550 °C	-29 °C ~180 °C

PRODUCT - CHECK VALVE

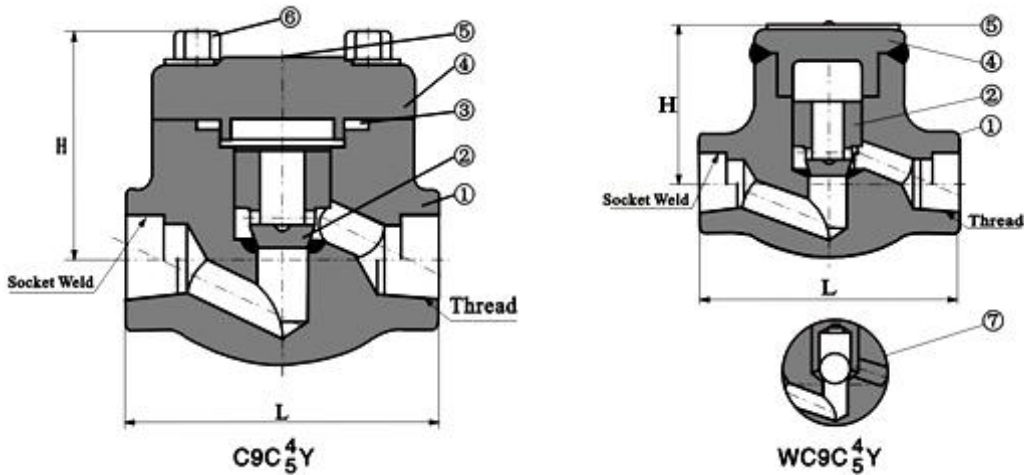
Forged Steel Check Valve

Dimension (mm) and Weight (Kg)

NPS	Conv.	3/8"	1/2"	3/4"	1"	1 1/4"	1 1/2"	2"	
	Full		3/8"	1/2"	3/4"	1"	1 1/4"	1 1/2"	2"
L		79	79	92	111	120	152	172	200
H		61	61	65	79	95	103	118	132
Weight	Bolted	1.4	1.2	1.5	3.1	3.9	5.6	8.9	12.5
	Welded	1.1	1	1.2	2.9	3.3	4.9	8.1	10.9

Note: Other materials are available upon request. CS=Carbon Steel; AS=S=Alloy Steel; SS=Stainless Steel;

Piston Check Valve 900Lb~1500Lb



Standard Material Specification

NO.	Part Name	CS to ASTM	AS to ASTM	SS to ASTM	
		Type A105	Type F22	Type F304(L)	Type F316(L)
1	Body	A105	A182 F22	A182 F304(L)	A182 F316(L)
2	Piston Disc	A276 420	A276 304	A276 304(L)	A276 316(L)
3	Gasket	Corrugated SS+ graphite		SS+PTFE	
4	Bonnet	A105	A182 F22	A182 F304(L)	A182 F316(L)
5	Nameplate	SS			
6	Bolt	A193 B7	A193 B16	A193 B8M	A193 B8M
7	Ball	A182 F304	A182 F304	A182 F304	A182 F304
Suitable Medium		Water, oil, gas etc.,		Water, oil, gas etc.,	HNO 3 ,CH 3 OOH etc
Suitable Temperature		-29 °C ~ 425 °C		-29 °C ~ 550 °C	-29 °C ~ 180 °C

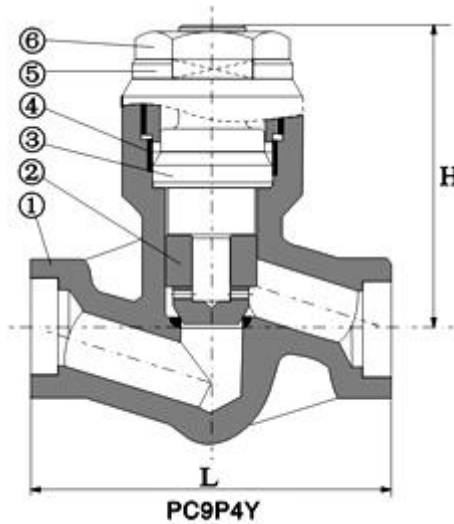
PRODUCT - CHECK VALVE

Forged Steel Check Valve

Dimension (mm) and Weight (Kg)

NPS	Conv.	3/8"	1/2"	3/4"	1"	1 1/4"	1 1/2"	2"	
	Full		3/8"	1/2"	3/4"	1"	1 1/4"	1 1/2"	2"
L		92	111	111	120	152	172	200	220
H		65	79	79	97	104	120	139	215
Weight	Bolted	1.6	3.4	3.3	5.5	6.0	9.2	12.9	16.2
	Welded	1.3	3.2	3.1	4.8	5.4	8.5	11.2	14.3

Pressure-seal Piston Check Valve 900Lb ~ 2500Lb



Standard Material Specification

NO.	Part Name	CS to ASTM	AS to ASTM	SS to ASTM	
		Type A105	Type F22	Type F304(L)	Type F316(L)
1	Body	A105	A182 F22	A182 F304(L)	A182 F316(L)
2	Lift Disc	A276 420	A276 304	A276 304(L)	A276 316(L)
3	Sealing Seat	A105	F22	A182 F304(L)	F316(L)
4	Pressure Ring	08F	08F	A276 304L	A276 316L
5	Retaining Nut	A194 2H	A194 4	A194 8	A194 8M
6	P.S.Lock Nut	A194 2H	A194 4	A194 8	A194 8M
Suitable Medium		Water, oil, gas etc.,	Water, oil, gas etc.,	HNO 3 ,CH 3 OOH etc.	
Suitable Temperature		-29 °C ~ 425 °C	-29 °C ~ 550 °C	-29 °C ~ 180 °C	

PRODUCT - CHECK VALVE

Forged Steel Check Valve

Dimension (mm) and Weight (Kg)

NPS		1/2"	1/4"	1"	1 1/4"	1 1/2"	2"
L	900Lb~1500Lb	140	140	140	178	178	216
	2500Lb	186	186	186	232	232	279
H		117	117	117	152	152	195
Weight	900Lb~1500Lb	7.5	7	6.8	18.5	18.1	20.3
	2500Lb	9	7.6	8.4	19.5	20.1	21.8

Swing Check Valve 800Lb, 900Lb~1500Lb

Standard Material Specification

NO.	Part Name	CS to ASTM	AS to ASTM	SS to ASTM	
		Type A105	Type F22	Type F304(L)	Type F316(L)
1	Body	A105	A182 F22	A182 F304(L)	A182 F316(L)
2	Seat	A276 410	A276 304	A276 304(L)	A276 316(L)
3	Swing Disc	A276 420	A276 304	A276 304(L)	A276 316(L)
4	Nut	A194 2H	A194 4	A194 8	A194 8M
5	Hinge	A105	A182 F22	A182 F304L	A182 F316(L)
6	Gasket	Corrugated SS+ Graphite		SS+PTFE	
7	Bonnet	A105	A182 F22	A182 F304L	A182 F316(L)
8	Bolt	A193 B7	A193 B16	A193 B8M	A193 B8M
9	Pin	A276 420		A182 F304	A182 F316
Suitable Medium		Water, oil, gas etc.,	Water, oil, gas etc.,	HNO 3 ,CH 3 OOH etc	
Suitable Temperature		-29 °C ~425 °C	-29 °C ~550 °C	-29 °C ~180 °C	

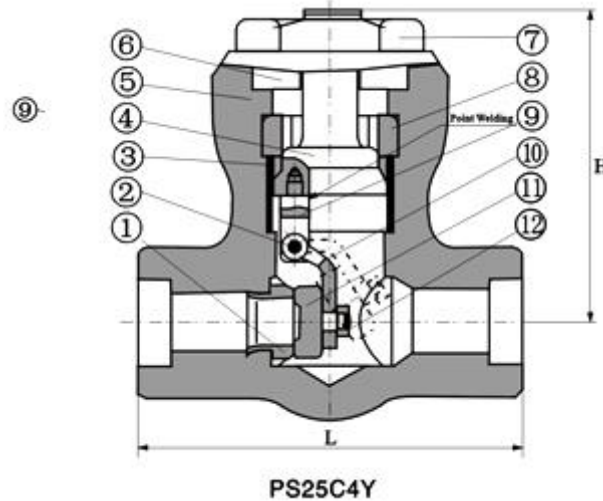
Dimension (mm) and Weight (Kg)

NPS		3/8"	1/2"	3/4"	1"	1 1/4"	1 1/2"	2"
L	800Lb	79	79	92	111	120	120	140
	900Lb~1500Lb	92	111	111	120	120	140	178
H	800Lb	61	61	78	84	101	120	133
	900Lb~1500Lb	79	79	79	97	105	120	140
Weight	800Lb	1.1	1	1.9	3.9	4.5	7.3	10
	900Lb~1500Lb	3.1	3	3.6	4.3	6.1	8.8	12.6

PRODUCT - CHECK VALVE

Forged Steel Check Valve

Pressure-seal Swing Check Valve 900Lb~2500Lb



Standard Material Specification

NO.	Part Name	CS to ASTM	AS to ASTM	SS to ASTM	
		Type A105	Type F22	Type F304(L)	Type F316(L)
1	Seat Ring	A276 410	A276 304	A276 304(L)	A276 316(L)
2	Pin	A276 420		A182 F304	A182 F3 16
3	Pressure Ring	A276 304L			A276 316(L)
4	Pressure Seat	A105	A182 F304	A182 F304(L)	A182 316(L)
5	Body	A105	A182 F22	A182 F304(L)	A182 316(L)
6	Bonnet	A105	A182 F22	A182 F304 L	A182 316(L)
7	P.S.Lock Nut	A194 2H	A194 4	A194 8	A194 8M
8	Quarter Ring	A276 420	A182 F304		A182 F316
9	Pont levis	A105	A182 F22	A182 F304 L	A182 F316(L)
10	Hinge	A105	A182 F22	A182 F304 L	A182 F316(L)
11	Disc	A276 A420	F304	A182 F304(L)	F316(L)
12	Nut	A194 2H	A194 4	A194 8	A194 8M
Suitable Medium		Water, oil, gas etc.,	Water, oil, gas etc.,	HNO 3 ,CH 3 OOH etc	
Temperature		-29 °C ~425 °C	-29 °C ~550 °C	-29 °C ~180 °C	



Office Address
 SAIF ZONE | PO Box 8047
 Sharjah, UAE.
 Skype: Unitech Trading (unitechtrading)
 Tel / Fax 00971-6-544-8882
 Email <mailto:info@unitechtrading.com>

PRODUCT - CHECK VALVE

Forged Steel Check Valve

Dimension (mm) and Weight (Kg)

NPS		1/2"	1/4"	1"	1 1/4"	1 1/2"	2"
L	900Lb~1500Lb	140	140	140	178	178	216
	2500Lb	186	186	186	232	232	279
H		117	117	117	152	152	195
Weight	900Lb~1500Lb	8.2	7.8	7.7	19.8	19.2	21.3
	2500Lb	10	9.6	9.4	21.5	21.1	22.8



Brief Description

Design Standards GB, ANSI, AWWA, DIN

Nominal Diameter DN300-3600mm (12" -144")

Nominal Pressure PN6-PN25 (86LB-300LB)

Material Specification Cast iron, ductile iron, carbon steel, stainless steel

Sealing Rubber, stainless steel

Operating Type Full hydraulic control, counter-weight pressure retaining, counter-weight locking

Temperature Range – 29 °C until + 425 °C



Description

Lift check valves are suitable for installation in horizontal or vertical lines with upward flow. They are recommended for use with steam, air, gas, water, and on vapor lines with high flow velocities.

Dimension

PN(MPa)	DN(mm)	L	D0	D1
16/20	25	180	22	42
	32	200	29	54
	40	230	36	60
	50	260	45	73
	65	290	58	89
	80	340	72	108
	100	400	90	133
	125	550	115	159
	150	600	135	192
25/40	25	180	22	42
	32	200	29	56
	40	230	36	64
	50	260	45	76
	65	290	58	89
	80	340	72	114
	100	400	90	146
	125	550	115	159
	150	600	135	195



Brief Description

Foot valve is a kind of energy-saving valve, usually installed at the bottom of pump suction pipe to prevent medium in the pipe flow back to water source. There are many inlet holes and reinforcing ribs in the valve cover, so the pipe will not be easily clogged up.



Description:

With its optimum designed aerodynamic flow path through the valve, the valve produces very low pressure losses. The axial design allows for a streamlined flow path around the disc and high pressure recovery, minimizing pressure drop across the valve. This highly efficient design combined with the highly responsive non-slam operation make this valve ideally suited to demanding check valve applications.

Features:

- Non-slam closure
- Low pressure loss
- Very short face-to-face length
- Very low weight
- Maintenance free



Brief introduction :

Rubber disc check valves consist of body, cover and rubber disc. Inside of the rubber disc is steel plate, steel bar and reinforced nylon liner and the outside is rubber and the disc life is more than one million open-close cycles. The valves is designed with unimpeded bore, so the pressure loss is very little and no sundries pile up in the body and it is easy to maintain this kind of valves. The valves is used for feeding system and installed at the outlet of the pump to prevent the fluid flowing backward and water hammering. Also it can be installed at the inlet of inlet/outlet's bypass pipe to prevent the water in the cistern flowing backward into the pipe.

Main part & material

Body: gray cast iron, ductile cast iron

Disc: steel plate+ nylon + NBR

Bonnet: gray cast iron, ductile cast iron

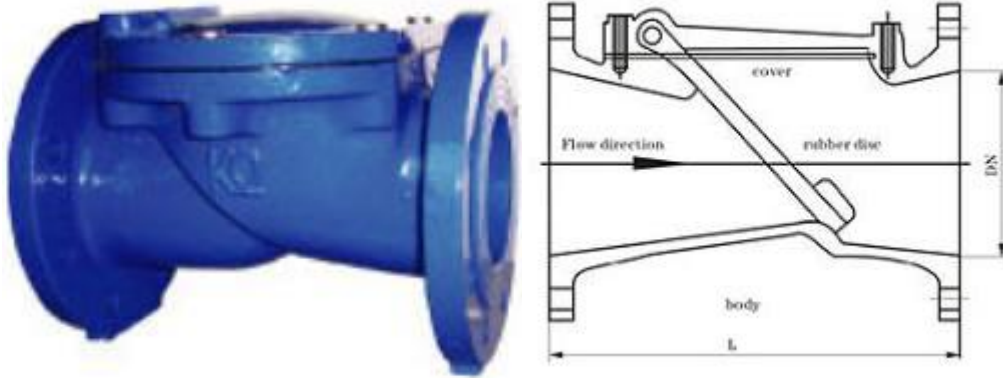
Technical Specification

-Nominal diameter : 50~600mm

-Nominal pressure : 1.0~1.6Mpa-Medium: water and weak corrosive fluid, etc.

-Work temperature: 0~80°C

Main external and connection dimension



DN	50	65	80	100	150	200	250	300	350	400	450	500	600
L	203	216	241	292	356	495	622	698	787	914	978	978	1295



Brief Description

Rubber Flapper Swing Check Valve, Oil Control Bottom Buffer is a safety device mounted in the pipeline or pump outlet to prevent the pump from inversed running due to the water hammer’s shock produced in the side-flow of the medium when the pump stops. And it features by the light flap, big opening, notable power saving, small fluid resistance, new-style of water hammer removal mechanism’s design, stable and reliable seal performance, wearable, long duration, stable running, without vibration and noise etc.

Suitable for the pipeline related to the systems of water supply and drainage, fire-fighting, warming etc. or the pump outlet to prevent both pump and pipeline from being damaged due to the water hammer produced in medium’s back-flow.

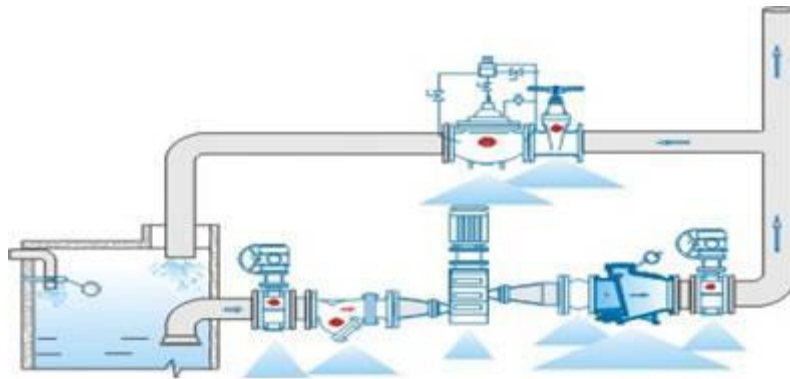
Technical Parameters				
PN(MPa)		1	1.6	2.5
Test pressure	Shell strength	1.5	2.4	3.75
(MPa)	Sealing performance	1.1	1.76	2.75
Working temperature		≤80 °C		
Applicable medium		Rinsing Dead oil		

PRODUCT - CHECK VALVE
Rubber Flapper Swing Check Valves

Materials			
Name of parts	Body、 Bonnet	Seat	Valve shaft
Material	Casting Iron, Ductile iron	Rubber assembly	Stainless steel

Dimensions								
DN	ENHH44X/T/H-10							
mm	L	D	D1	B	H	H1	B	Z-φd
40	200	150	110	220	300	140	20	4-18
50	230	165	125	270	300	140	20	4-18
65	290	185	145	290	320	150	20	4-18
80	310	200	160	315	330	162	22	8-18
100	350	220	180	340	460	260	24	8-18
150	480	285	240	402	580	274	26	8-22
200	500	340	195	470	680	302	28	8-22
250	600	391	350	550	730	348	28	12-22
300	700	445	400	622	850	370	28	12-22
350	800	505	460	660	950	410	30	16-22
400	900	565	515	800	1030	450	32	16-26
500	1100	670	620	950	1262	550	34	20-26
600	1300	780	725	1122	1520	635	36	20-30
700	1400	895	840	1810	1644	720	40	24-30
800	1500	1015	950	1250	1774	780	44	24-33
900	1700	1115	1050	1470	2084	920	46	28-33
1000	1900	1230	1160	1570	2195	970	50	28-36
1200	2220	1450	1380	1920	2615	1150	56	32-39

Typical Installation





Brief introduction :

The Silent Check Valve is the preferred choice in applications where silent operation and cost are major concern. Its short linear stroke and spring return action combine to close the valve prior to flow reversal which effectively eliminates the shock and water hammer normally associated with the sudden stoppage of a reverse flow.

Main part & material

Body: gray cast iron, ductile cast iron

Disc: steel plate, bronze

Spring: Stainless steel

Seat: bronze

Pin: Stainless steel

Technical Specification

-Nominal diameter : 50~350mm

-Nominal pressure : 1.0~1.6Mpa-Medium: water and weak corrosive fluid, etc.

-Work temperature: 0~80°C

Main external and connection dimension



DN	50	65	80	100	125	150	200	250	300	350
L	125	145	155	175	200	225	275	325	375	425



Brief introduction :

The silent resilient check valve is applied to the vertical pipelines in which medium flow runs upwards and the back-wards flowing are effectively stopped. It could be widely used in water-supply system and drain system and it works silence.

Features:

Professional design: The inner cavity of valve is designed as streamline shape, which can effectively stop the turbulence. The spherical surface is introduced to form the front of disc and cone contact for the seating couple; these structures will extremely the shock force of medium and decrease the resistance coefficient of flow. Thin shell structures is employed when design the diversion component to ensure the laminar flow and greatly drop the weight. The reasonable open height and cavity space enable the obtaining of maximum area of flow section. It can avoid occurring of the air chamber; the valve parameter Cv is improved.

Excellent proof corrosion characteristics: Internal and external epoxy resin coating.

Reliable hygiene principles: Epoxy resin and rubber comply with hygiene standard, the trim, such as disc, spring, etc., are made of stainless steel.

PRODUCT - CHECK VALVE

Silent Lift Check Valve

Main part & material

Body, Line: GGG50 with internal and external epoxy resin coating

Disc: GGG50 or casting steel

Guiding stem, spring: 1Cr17Ni12Mo2Ti, Stainless steel

Guiding bushing: Bronze CuAl10Fe3

Flange washer, O-ring: NBR, EPDM or FPM

Technical Specification

-Nominal diameter : 50~350mm

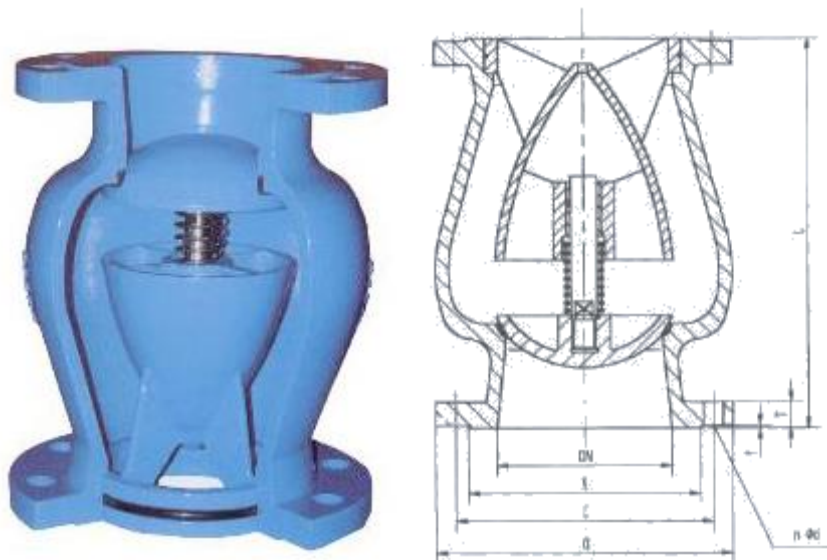
-Nominal pressure : 1.0/1.6Mpa-Strength testing pressure : 1.5/2.4Mpa

-Sealing testing pressure : 1.1/1.76Mpa

Executive standard

Design standard	AWWA A508
Face to face	Enterprise standard
Flange end	DIN 2501
Test & inspection	JG/T 9092-1999
Working temperature	NBR<80 °C ; EPDM<120 °C ; FPM<160 °C

Main external and connection dimension





Office Address
 SAIF ZONE | PO Box 8047
 Sharjah, UAE.
 Skype: Unitech Trading (unitechtrading)
 Tel / Fax 00971-6-544-8882
 Email <mailto:info@unitechtrading.com>

PRODUCT - CHECK VALVE

Silent Lift Check Valve

DN	L	Flange dimensions comply with GB/T17421.6-1998										
		O		C		g		f	b		n-d	
		1.0MPa	1.6MPa	1.0MPa	1.6MPa	1.0MPa	1.6MPa		1.0MPa	1.6MPa	1.0MPa	1.6MPa
50	120	165	165	125	125	99	99	3	19	19	4-19	4-19
65	150	185	185	145	145	118	118	3	19	19	4-19	4-19
80	180	200	200	160	160	132	132	3	19	19	8-19	8-19
100	229	220	220	180	180	156	156	3	19	19	8-19	8-19
125	254	250	250	210	210	184	184	3	19	19	8-19	8-19
150	267	285	285	240	240	211	211	3	19	19	8-23	8-23
200	292	340	340	295	295	266	266	3	20	20	8-23	12-23
250	330	395	405	350	355	319	319	3	22	22	12-23	12-28
300	356	445	460	400	410	370	370	4	24.5	24.5	12-23	12-28
350	381	505	520	460	470	429	429	4	24.5	24.5	16-23	16-28

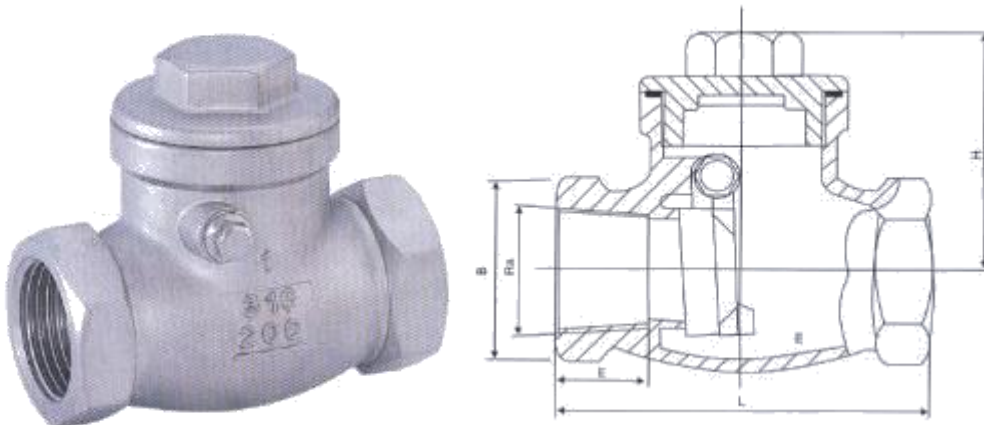


Brief introduction :

The check valve is designed and manufactured according to API 6D and ANSI B 16.34. It can work in high temperature and pressure circumstance. It also has the features of good appearance, nice function and superior, widely used with petroleum, chemical water treatment industries.

Main part & material

Part name	Material
body	WCB,ZG1Cr18Ni9Ti,CF8,CF8M
Disc	1Cr18Ni9Ti 304,316
stem	1Cr18Ni9Ti 304,316
Seal ring	304,316(CF8,CF8M)
Packing	Polytetrafluoroethylene (PTFE)





Office Address
 SAIF ZONE | PO Box 8047
 Sharjah, UAE.
 Skype: Unitech Trading (unitechtrading)
 Tel / Fax 00971-6-544-8882
 Email <mailto:info@unitechtrading.com>

PRODUCT - CHECK VALVE

Stainless Steel Female Thread Check Valve

DN	G	L	E	B	H
6	1/4"	60	10	24	45
10	3/8"	60	10	24	45
15	1/2"	65	12	26	48
20	3/4"	80	17	32	53
25	1"	91	20	14	59
32	1-1/4"	104	20	51	70
40	1-1/2"	120	20	58	75
50	2"	140	23	69	84

Specification

Nominal pressure(Mpa)	PN	2.5,4.0
Strength testing pressure(Mpa)	PT	3.8,6.0,9.6
Low pressure seal test(Mpa)		0.6
High pressure seal test(Mpa)		2.8,4.4,7.04
Applicable medium	water, oil, gas, nitric acid, acetic acid	
Applicable temperature	-40 ~ 180 °C	

Feature:

Resist friction: Valve disc is given enough intensity and rigidity. Disc sealing surface may be built-up welded with satellite alloy inlaid or other material responding to the users' request.

Agility of switch: Solid ping is precisely installed and provided with high intensity to ensure operational performance and service life of valve.

Sealing credibility: The check valve adopt swing configuration. All the sealing part inside the valve, so all exterior leak may except the middle flange, and also the middle flange gasket may be different according to pressure class.

Distortion compensating: The disc and the hinge are connected between slippery spherical surface, and this makes the disc can circumgyrate in a little angle and regulates the sealing capability.



Brief introduction :

The check valve is designed and manufactured according to API 6D and ANSI B 16.34. It can work in high temperature and pressure circumstance. It also has the features of good appearance, nice function and superior. Widely used in petroleum, chemistry, water treatment industries.

Features:

-Resist friction

Valve disc is given enough intensity and rigidity. Disc sealing surface may be built-up welded with satellite alloy inlaid or other material responding to the users' request.

-Agility of switch

Solid ping is precisely installed and provided with high intensity to ensure operational performance and service life of valve.

-Sealing credibility

The check valve adopt swing configuration. All the sealing part inside the valve, so all exterior leak may except the middle flange, and also the middle flange gasket may be different according to pressure class.

-Distortion compensating

The disc and the hinge are connected between slippery spherical surface, and this makes the disc can circumgyrate in a little angle and regulates the sealing capability.



Office Address
SAIF ZONE | PO Box 8047
Sharjah, UAE.
Skype: Unitech Trading (unitechtrading)
Tel / Fax 00971-6-544-8882
Email <mailto:info@unitechtrading.com>

PRODUCT - CHECK VALVE

Swing Check Valve

Main part & material

	Item Name of parts	material
1	Body	WCB, CF8
2	Seat	304, A105+ satellite
3	Disc	304, A105+ satellite
4	Gasket	Graphite+304
5	Bonnet	WCB,CF8
6	Yoke	WCB, CF8
7	Hinge	WCB, CF8,2Cr13
8	Hinge pin	2Cr13, 304

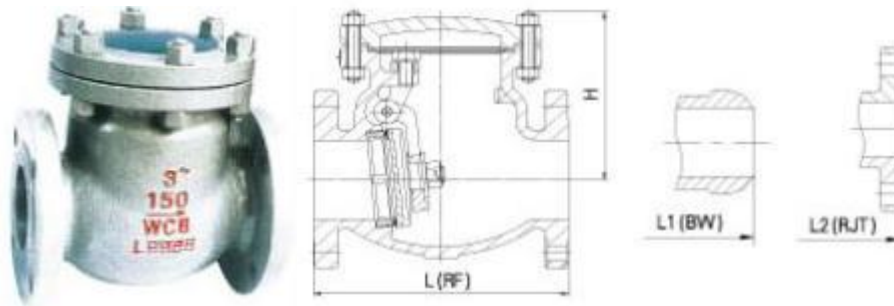
Technical Specification

- Nominal diameter: 2"-24"
 - Applicable Temperature: -29°C~425°C
 - Nominal pressure: 150Lb 300Lb 600Lb 900Lb
 - Applicable Medium: water, gas, oil, and other causticity medium.
- Applications Standard
- Manufacture standard: ANSI B16.34
 - Face to face dimension: ANSI B 16.10, API 6D
 - Flange dimension: ANSI B 16.5
 - Test: API 598

PRODUCT - CHECK VALVE

Swing Check Valve

Main external and connection dimension



CLASS150

size(in)	2"	2-1/2"	3"	4"	5"	6"	8"	10"	12"	14"	16"	18"	20"	24"
L,L1-RF.BW	203	216	214	292	330	356	495	622	699	787	864	978	978	1295
L2-RTJ(mm)	216	229	254	305	343	368	508	635	717	800	876	991	991	1308
H(mm)	155	190	200	225	245	260	350	390	410	435	530	570	625	675
Weight(Kg)	16	25	34	46	75	89	120	220	337	471	575	788	916	1275

CLASS300

size(in)	2"	2-1/2"	3"	4"	5"	6"	8"	10"	12"	14"	16"	18"	20"	24"
L,L1-RF.BW	267	292	318	355	400	440	533	622	711	838	863	977	1016	1346
L2-RTJ(mm)	283	308	333	371	416	460	549	638	727	854	854	994	1036	1368
H(mm)	180	200	225	240	275	310	370	410	440	500	500	605	675	785
Weight(Kg)	26	32	53	73	110	157	234	384	450	650	650	970	1350	2210

CLASS600

size(in)	2"	2-1/2"	3"	4"	5"	6"	8"	10"	12"	14"	16"	18"	20"
L,L1-RF.BW	292	330	356	432	508	559	660	787	838	889	991	1092	1194
L2-RTJ(mm)	295	333	359	435	511	562	664	791	841	892	994	1095	1200
H(mm)	190	215	250	260	310	350	420	490	525	580	630	690	810
Weight(Kg)	33	49	62	95	120	195	360	465	725	875	1075	1475	1900

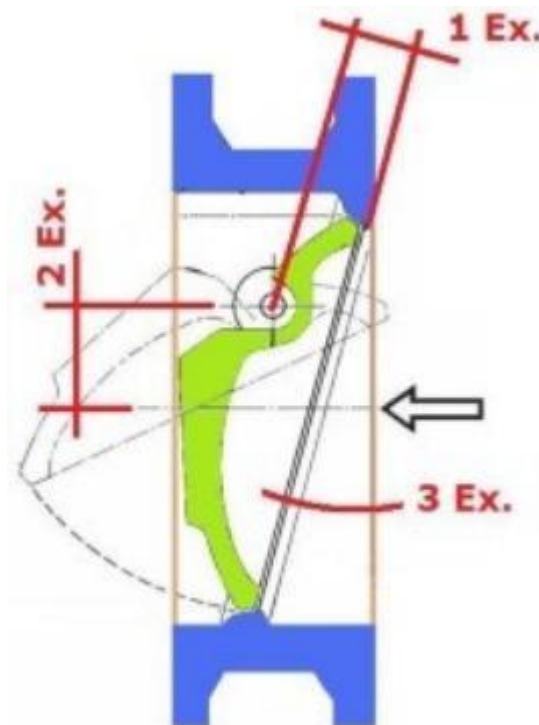
CLASS900

size(in)	2"	2-1/2"	3"	4"	5"	6"	8"	10"	12"	14"
L,L1-RF.BW	368	419	381	457	559	610	737	838	965	1029
L2-RTJ(mm)	371	422	384	460	562	613	740	841	968	1038
H(mm)	195	235	260	275	320	370	435	520	530	580
Weight(Kg)	55	70	90	135	165	295	525	900	1075	1225



Description

Tilting disc valves are designed with triple eccentric structure, which are high quality, high efficiency, and energy-saving and environmental protection products.





Office Address
SAIF ZONE | PO Box 8047
Sharjah, UAE.
Skype: Unitech Trading (unitechtrading)
Tel / Fax 00971-6-544-8882
Email <mailto:info@unitechtrading.com>

PRODUCT - CHECK VALVE

Tilting Disc Check Valve

First eccentric: It is the offset between the shaft and the seat plane. This eccentricity removes any interference of the seat with the shaft and therefore the seat has an integral and continuous construction both in the body and disc, and potential leakage can be avoided.

Double eccentric: It is the offset between the shaft and the disc diameter. This eccentricity works when reverse comes or normal flow pressure is so low than it can't make enough force to hold the closing torque caused by the weight of the disc.

Triple eccentric: It is the angle of tilting of the seat plane with the normal plane of the pipe. This tilting reduce the stroke of the disc, therefore it could close faster at backflow.

Furthermore of geometry and weight of the disc, in some cases other elements can optimize the closing sequence. Springs can be used in order to increase the speed of the disc closure before reverse flow starts. In the other side, when reverse flow is a reality but the valve still not close at all a slow closure can avoid slam over the valve.



Body: Cast iron/Ductile iron Face to face is according to ISO STANDARD

Disc: Cast iron/Ductile iron Flange drilled is according to DIN, BS, JIS, and ANSI etc.

Disc ring: NBR Test Spring: Stainless steel/Steel with zinc

Working pressure, PN10/PN16 Class125/150

Screen: Stainless steel / Steel, zinc plated, Shell

Pressure: PN16/PN25 300PSI

DN (mm)	50	65	80	100	125	150	200	250	300
h	166	201	221	265	300	360	580	568	653
Remark: Our design can be suitable for all standard(BS,DIN,ANSI,JIS standard etc.)									



Brief Description

Light flap, big opening, notable power saving, small fluid resistance, new-style of water hammer removal mechanisms design, stable and reliable seal performance, wearable, long duration, stable running, without vibration and noise etc. Suitable for the pipeline related to the systems of water supply and drainage, fire-fighting, warming etc. or the pump outlet to prevent both pump and pipeline from being damaged due to the water hammer produced in mediums back-flow.



Description

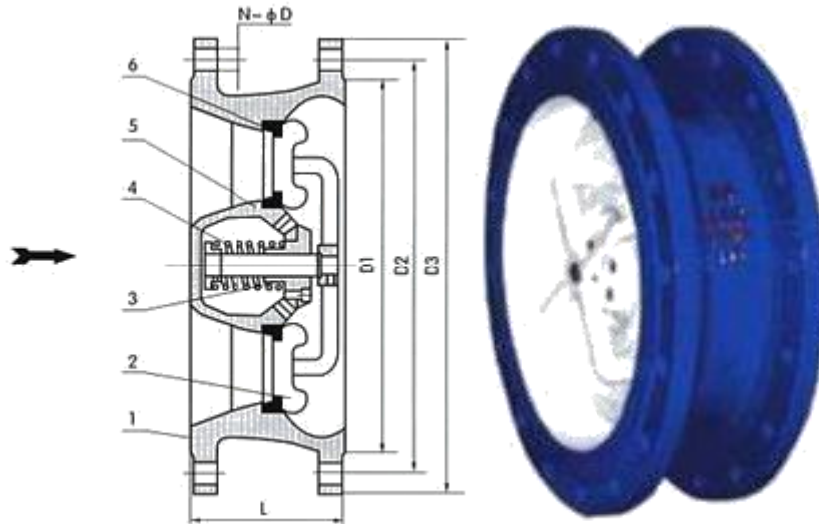
DN	DN300-600mm
PN	1.0/1.6/2.5MPa
Temperature	0°C-80°C
Seal	1.1 rate
Strength	1.5 rate

Material

No.	Parts	Material
1	body	GG25
2	disc	QA19-4
3	stem	QA19-4
4	spring	SYS316
5	guide	GG25
6	seat	QA19-4

PRODUCT - CHECK VALVE

Wafer Lift Check Valve



Dimension (DIN or BS)

Model	DN	D1		D2		D3		N-φD		L
		1.0MPa	1.6 MPa	1.0MPa	1.6 MPa	1.0MPa	1.6 MPa	1.0MPa	1.6 MPa	
CVKR-0300	DN300	370		400	410	460		Dec-13	Dec-28	181
CVKR-0350	DN350	429		460	470	520		16-23	16-28	184
CVKR-0400	DN400	480		515	525	580		16-28	16-31	191
CVKR-0450	DN450	530		565	585	640		20-28	20-31	203
CVKR-0500	DN500	582		620	650	715		20-28	20-34	219
CVKR-0600	DN600	682		725	770	810	840	20-31	20-37	222
CVKR-0700	DN700	794		840	840	895	910	24-31	24-37	280
CVKR-0800	DN800	901		950	950	1015	1025	24-34	24-40	356
CVKR-0900	DN900	1001		1050	1050	1125	1125	28-40	28-40	368
CVKR-1000	DN1000	1112		1160	1170	1230	1255	28-43	28-43	432
CVKR-1200	DN1200			1380	1390	1455	1485	32-49	32-49	524



Design Features:

AWWA butterfly valves meet the requirements of AWWA C504 standards. They are used for shut off of clean and dirty water and gases. Offset disc design, corrosion-resistant shaft, stainless steel disc edge, and self-compensating shaft seals are features on all AWWA butterfly valves. Molded-in body seat with disc locators provides positive sealing and longer seat life on sizes 3 - 20" (80 - 500mm). Large AWWA butterfly valves, 24" and larger (600mm and larger) feature adjustable, replaceable seat, non-hollow disc structure and rubber seat retained within a dovetail groove in the valve body and locked in place by an epoxy wedge.



Main Features

- Corrosion and abrasion resistant, only the seat and disc are in contact with the fluid.
- Self - cleaning and two - way (therefore the valve can be mounted in both directions of flow).
- Maximum ease of assembly and maintenance: no additional seals are required for mounting between the flanges, nor lubrication.
- Adaptable to any type of pneumatic or electric actuator
- Protection of valve outer parts against corrosion (epoxy or polyurethane paint)
- Tight shut-off with pressure drop up to 21.5 bar
- Disc self-centering inside the seat thanks to the floating coupling between stem-disc
- Seat with phenolic resin or aluminum reinforcement to ensure geometric and dimensional stability
- Stem-disc coupling without use of fastening elements (screw, bolts, etc.) which could be sources of corrosion and failures
- Very compact size and light weight.
- Disc of special design in order to ensure ample full flow, low pressure drops, and minimum turbulence
- Favorable cost.
- Good adjustment characteristic.



Key feature and benefits

Light weight

Good wear resistance

Compact structure

Low flow resistance

Small operation torque

Easy to install and maintain

Actuation

Manual, Pneumatic, Electric & Worm Wheel

Available END: FLG-RF, WAFER, WAFER WITH LUG

Available SEAT: SOFT



Description

Cast Steel Butterfly Valve is unique valve structure, operation flexible, labor-saving and convenient. Widely used in Chemical/Petrochemical Processing, Food & Beverage, Power & Utilities, Pulp & Paper etc.

Key feature and benefits

Light weight

Good wear resistance

Compact structure

Low flow resistance

Small operation torque

Easy to install and maintain

Size: 2" to 80"

Actuation

Electric & Worm Wheel

Available END: FLG-RF, WAFER, WAFER WITH LUG

Available SEAT: SOFT



Description

Double eccentricity butterfly valves adopt different material, different seal ring, suitable for different medium. Widely used in Chemical/Petrochemical Processing, Food & Beverage, Power & Utilities, Pulp & Paper etc.

Key feature and benefits

Light weight

Good wear resistance

Compact structure

Low flow resistance

Small operation torque

Easy to install and maintain



Description

Flanged butterfly valves adopt different material, different seal ring, suitable for different medium. Widely used in Chemical/Petrochemical Processing, Food & Beverage, Power & Utilities, Pulp & Paper etc.

Key feature and benefits

Light weight

Good wear resistance

Compact structure

Low flow resistance

Small operation torque

Easy to install and maintain

Actuation

Worm Wheel & Electric



Features

Grooved Mechanical Type

Easy to install and service, low cost

Widely used in firefighting, building, metallurgy and etc.

Gear Operated As Standard



High Performance valves have an equal valve characteristic, and can be used as Control or On/Off valves with Shut Off.

Size Range

2" to 80"- 50mm to 2000mm

(Larger sizes can be designed to order)

End Connections

Wafer

Lugged

Double Flanged

Butt Weld

Actuation

Manual, Pneumatic, Electric & Hydraulic



Description

The butterfly valve is operated by the disc rotating from 0° to 90°, can be applied to cut off or regulate the flow of medium. The valve can be actuated by operating lever, handle wheel electric actuator or pneumatic actuator. Widely used for potable water supply and distribution, waste water treatment, electric power plant, gas supply, warm-air system, smelting plant, ship building, textile, petroleum, chemistry, or other light industries. Features: Low weight; Compact structure; Low flow resistance; Small operation torque, Easy to install and maintain; Flow pattern tend to be straight



Description

Metal seated butterfly valves are perfect for cryogenic or high temperature service. They resist wear and are suitable for aggressive media. Valves are available in sizes 50 to 2000mm (2" to 80") in nominal pressure PN6 to 25. Valves are suitable for a wide range of applications in most industries and offer exceptional value and performance. The compact size and shape combines light weight with the durability of a metal seal and seat. The triple eccentric design eliminates rubbing and wear with bi directional zero leakage. Metal seated butterfly valve is available in standard and exotic materials for the most difficult applications.



Description

PTFE Seated Butterfly Valves are widely used in metallurgy, electric power, petrochemical, as well as to the drainage and municipal construction and other industrial pipe for regulating the flow and set the use of drying body. The triple eccentric valve structure, valve seat and disc sealing surface plate are stainless steel and seal ring is PTFE, with good corrosion resistance, long lifespan. Products in line with national GB/T13927-92 valve pressure test standard.

Key features

1. The valve sealing three-eccentric structure, the valve seat and the butterfly board almost no wear and tear, with more tightening of the sealing concept features.
2. The use of large-sized butterflies hangs board structure, high strength, large over-current, small flow resistance.
3. The valve seal has a two-way function, from the installation media restrictions on the flow, but also from the effects of spatial location can be installed in any direction.
4. Can drive multi-bit (rotation 90 ° or 180 °) to install, user-friendly.



Brief Description

Resilient seated butterfly valves provide you with the reliability you need, backed by the assurance that comes with using valves designs and produced by company-owned manufacturing facilities.

Key feature and benefits

Low weight

Compact structure

Low flow resistance

Small operation torque

Easy to install and maintain

Flow pattern tend to be straight

Widely used in Chemical/Petrochemical Processing, Food & Beverage, Power & Utilities, Pulp & Paper etc.



Description

Butterfly Valves adopt Triple eccentric design with metal seat and resilient seat.

1st offset: center line of the resilient disc seal is offset from the center line of the shafts

2nd offset: the center line of the shaft is offset from the valve body

3rd offset: the body seat landing surface has the shape of an oblique cone with the ground surface perpendicular to one side of the cone.

Suitable for manual, gear, electric, hydraulic and pneumatic actuation

Widely used in Petrochemical, Power Plant, and Construction industries



Description

Wafer butterfly valves adopt different material, different seal ring, suitable for different medium. Widely used in Chemical/Petrochemical Processing, Food & Beverage, Power & Utilities, Pulp & Paper etc.

Key feature and benefits

Light weight

Good wear resistance

Compact structure

Low flow resistance

Small operation torque

Easy to install and maintain

Actuation: Manual, Pneumatic, Electric & Worm Wheel



Description

Light weight, small dimensions, simple and reliable structure. The drainage outlets enables removal of excess fluids.

Standard metal body - baked polyester coating.

Automatic component.

The valve functions while the system is under pressure, according to the following stages:

1. Entrapped air, which accumulates at peaks along the system (where combination air valves should be installed), rises to the top of the valve, which in turn displaces the liquid in the valve's body.
2. The float descends, unsealing the rolling seal. The automatic air release orifice opens and the accumulated air is released.
3. Liquid penetrates into the valve and the float rises, pushing the rolling seal back to its sealing position.

Flanged end dimension: according as ISO7005.2 PN16/PN10

Working pressure: 1.0MPa/ 1.6Mpa

Sizes: DN50-150



Description

Material: brass

Sizes: DN10-25

Connection: Thread joint

Certification: ISO9001

Applications

Cold or hot water supply, heating system including flooring heating, wall heating and radiant, central air conditioning and industrial liquids transportation.



Description

Air Release Valves function to release air pockets that collect at each high point of a full pressured pipeline. Air Release Valves can open against internal pressure, because the internal lever mechanism multiplies the float force to be greater than the internal pressure. This greater force opens the orifice whenever air pockets collect in the valve. Air Release Valves are essential for pipeline efficiency and water hammer protection.

Working Pressure: 1.0MPa/ 1.6Mpa

Sizes: DN25-400



Description

Double Ball Air Valve is used for water pipe in medium to protect the pipeline from deformation.

Features:

1. Able to eliminate the gas pipeline, reduce resistance, saving energy.
2. When this product pipeline negative pressure can automatically inhaled air prevents pipes burst.
3. Safe and reliable.

Working Pressure: 1.0MPa/ 1.6Mpa

Sizes: DN50-200



Description

Double Orifice Air Valve is a type of power operated valve that uses air pressure against a piston or diaphragm to produce linear or circular movement to operate a valve. Air Valves perform two important functions in a piping system. They maintain system design efficiency and provide system protection. System efficiency is maintained by venting air via the air valves from the system that can restrict flow and increase pumping costs.

Working Pressure: 1.0MPa/ 1.6Mpa

Seal test: 1.1MPa /1.76Mpa

Strength test: 1.5MPa / 2.4Mpa

Sizes:DN50-200



Description

The air release valves will be installed at sections of the pipeline where air pockets would be formed. The valves shall be of robust construction of double orifices with an integral isolating valve and flanged base for connection to a valve stem that connects the air valve to the main pipeline. The bore leading to the flange base shall be in accordance to the size of the main pipeline and the expected accumulation of air.

Working Pressure: 1.0MPa/ 1.6Mpa

Sizes: DN50-100



Description

The Series large orifice air valve is a single orifice air valve, suitable for use with potable and filtered water, to a maximum temperature of +80°C.

Features:

Release large volumes of air from pipelines.

Light weight design.

Corrosion resistant construction.

Working Pressure: 1.0MPa/ 1.6Mpa

Sizes: DN150-300



Description

The valve is suitable for the bulk release or ingress of air whilst filling or draining the line and the release of trapped air whilst the line is under operating pressure. Fouling of the orifice is eliminated by the use of a large float chamber which confines the liquid within the bottom, therefore preventing any leakage of solids into the atmosphere.

Working Pressure: 1.0MPa/ 1.6Mpa

Sizes: DN50-200



Description

Single Orifice Air Valve covering the requirements for both filling/emptying of the water main plus removal of accumulated air in normal service. these valves can be tailored to most applications.

Working Pressure: 1.0MPa/ 1.6Mpa

Sizes: DN40-150

Flanged end dimension: according as ISO7005.2 PN16/PN10



Description

The Series small orifice air valve is a single orifice air valve, suitable for use with potable and filtered water, to a maximum temperature of +80°C.

Features:

Release large volumes of air from pipelines.

Light weight design.

Corrosion resistant construction.

Working Pressure: 1.0MPa/ 1.6Mpa

Sizes: DN50-100



Brief introduction:

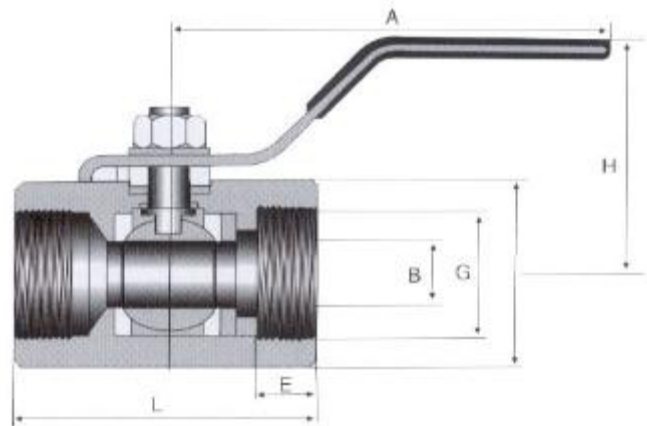
The ball valve is designed and manufactured according well to API 6D. Floating ball suitable for small caliber, and fixed ball for large caliber. It has fire protection structure and antistatic device. Widely used for petroleum, chemistry, water treatment industries.

Main part & material

Part name	Material
body	WCB,ZG1Cr18Ni9Ti,CF8
ball	1Cr18Ni9Ti 304,316
stem	1Cr18Ni9Ti 304,316
seal ring	Polytetrafluoroethylene (PTFE)
packing	Polytetrafluoroethylene (PTFE)

PRODUCT – BALL VALVE

1pc Type Ball Valve With Female Thread



Main outer size- mm

DN	G	B	L	E	H	A
6	1/4"	5	40	13	28	65
10	3/8"	8	45	13	30	65
15	1/2"	9.5	56	16	34	85
20	3/4"	12.5	60	18	40	95
25	1"	16	71	20	52	110
32	1-1/4"	20	78	21.5	62	140
40	1-1/2"	25	96	23	68	140
50	2"	32	101	24.5	75	155
65	2-1/2"	40	120	25	82	180

Technical Specification

Nominal pressure(Mpa)	PN	2.5,4.0,6.4
Strength testing pressure(Mpa)	PT	3.8,6.0,9.6
Low pressure seal test(Mpa)		0.6
High pressure seal test(Mpa)		3.0,4.8,7.6
Applicable medium	water, oil, gas, nitric acid, acetic acid	
Applicable temperature	-40 ~ 180 °C	



Office Address
SAIF ZONE | PO Box 8047
Sharjah, UAE.
Skype: Unitech Trading (unitechtrading)
Tel / Fax 00971-6-544-8882
Email <mailto:info@unitechtrading.com>

PRODUCT – BALL VALVE

1pc Type Ball Valve With Female Thread

Feature:

-Anti-blowout Structure of Valve Stem

When medium pass through the valve, the pressure in valve body may possibly push the stem out, or when the valve is in repair, if there is pressure in the middle cavity, the stem or medium seems to easily fly out upon disassembling the valve, which can cause injures to human beings, To prevent the possibilities, a dummy club is packing and

thrust bearing are burnt or packing is damaged due to other causes,the pressure of medium in valve body will make the dummy club of valve stem in close contact with the upper seal face of valve body. Thus to prevent medium leaking out from the damage packing position.

-Reliable Seal Structure

The seat is made of PTFE. Because the contact area between seat and the ball will becomes more high with rising of pressure of the middle cavity, Small Resistance ball valve has the smallest resistance of all the valve, in the case of reduced bore, the resistance is little still.

-Prompt switch

The ball valve circumrotates in 90°, it work quickly to open or close.



Brief introduction :

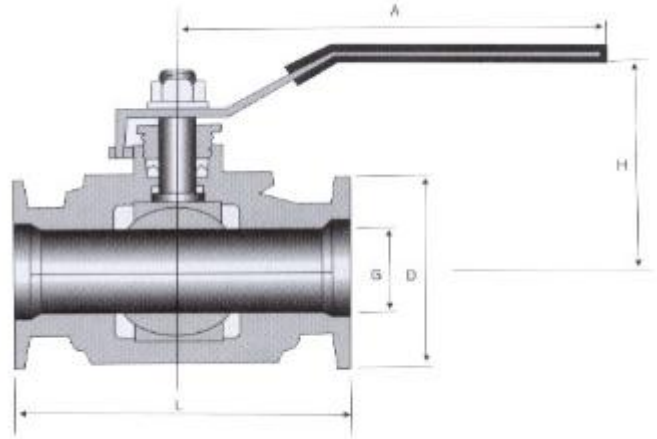
The ball valve is designed and manufactured according well to API 6D. Floating ball for small caliber, and fixed ball for large caliber. It has fire protection structure and antistatic device. Widely used for petroleum, chemical ,water treatment industries.

Main part & material

Part name	Material
body	WCB,ZG1Cr18Ni9Ti,CF8
ball	1Cr18Ni9Ti 304,316
stem	1Cr18Ni9Ti 304,316
seal ring	Polytetrafluoroethylene (PTFE)
packing	Polytetrafluoroethylene (PTFE)

PRODUCT – BALL VALVE

2pc Ready-Package Ball Valve



Main outer size mm

DN	G	D	L	H	A
15	1/2"	34	95	68	125
20	3/4"	50.5	105	70	125
25	1"	50.5	115	80	145
32	1-1/4"	50.5	125	84	145
40	1-1/2"	50.5	135	93	205
50	2"	64	150	100	205
65	2-1/2"	77.5	190	142	250
80	3"	91	220	155	250
90	3-1/2"	106			
100	4"	119			

Specification

Nominal pressure(Mpa)	PN	2.5,4.0,6.4
Strength testing pressure(Mpa)	PT	3.8,6.0,9.6
Low pressure seal test(Mpa)		0.6
High pressure seal test(Mpa)		3.0,4.8,7.6
Applicable medium	water, oil, gas, nitric acid, acetic acid	
Applicable temperature	-40 ~ 180 °C	



Office Address
SAIF ZONE | PO Box 8047
Sharjah, UAE.
Skype: Unitech Trading (unitechtrading)
Tel / Fax 00971-6-544-8882
Email <mailto:info@unitechtrading.com>

PRODUCT – BALL VALVE

2pc Ready-Package Ball Valve

Feature:

-Anti-blowout Structure of Valve Stem

When medium pass through the valve, the pressure in valve body may possibly push the stem out, or when the valve is in repair, if there is pressure in the middle cavity, the stem or medium seems to easily fly out upon disassembling the valve, which can cause injures to human

beings, To prevent the possibilities, a dummy club is packing and thrust bearing are burnt or packing is damaged due to other causes, the pressure of medium in valve body will make the dummy club of valve stem in close contact with the upper seal face of valve body. Thus

to prevent medium leaking out from the damage packing position.

-Reliable Seal Structure

The seat is made of PTFE. Because the contact area between seat and the ball will becomes more high with rising of pressure of the middle cavity, Small Resistance ball valve has the smallest resistance of all the valve, in the case of reduced bore, the resistance is little still.

-Prompt switch

The ball valve circumrotates in 90°, It work quickly to open or close.



Brief introduction :

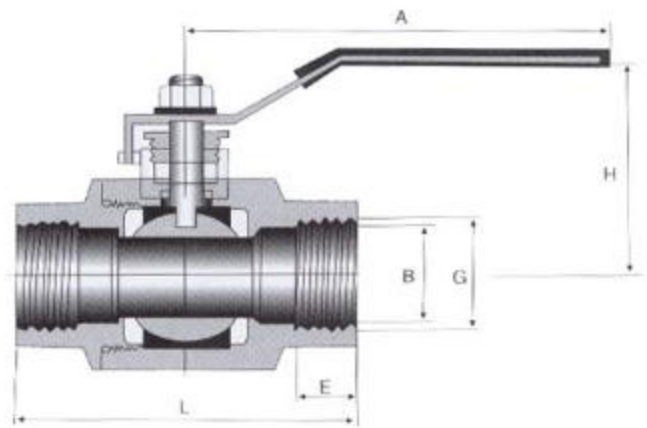
The ball valve is designed and manufactured according well to API 6D. Floating ball when small caliber, and fixed ball when large caliber. It has fire protection structure and antistatic device. Widely used for petroleum, chemistry, water treatment industries.

Main part & material

Part name	Material
body	WCB,ZG1Cr18Ni9Ti,CF8
ball	1Cr18Ni9Ti 304,316
stem	1Cr18Ni9Ti 304,316
seal ring	Polytetrafluoroethylene (PTFE)
packing	Polytetrafluoroethylene (PTFE)

PRODUCT – BALL VALVE

2pc Type Ball Valve With Female Thread



DN	G	B	L	E	H	A
6	1/4"	8	54	11.5	52	105
10	3/8"	10	54	11.5	52	105
15	1/2"	15	62.5	14	65	130
20	3/4"	20	73.5	15	70	130
25	1"	25	86	15	78	150
32	1-1/4"	32	101	18	82	180
40	1-1/2"	38	110	19	90	200
50	2"	50	123	19	98	200
65	2-1/2"	64	165	23	140	240
80	3"	80	190	25	135	260

Specification

Nominal pressure(Mpa)	PN	2.5,4.0,6.4
Strength testing pressure(Mpa)	PT	3.8,6.0,9.6
Low pressure seal test(Mpa)		0.6
High pressure seal test(Mpa)		3.0,4.8,7.6
Applicable medium	water, oil, gas, nitric acid, acetic acid	
Applicable temperature	-40 ~ 180 °C	



Office Address
SAIF ZONE | PO Box 8047
Sharjah, UAE.
Skype: Unitech Trading (unitechtrading)
Tel / Fax 00971-6-544-8882
Email <mailto:info@unitechtrading.com>

PRODUCT – BALL VALVE

2pc Type Ball Valve With Female Thread

Feature:

-Anti-blowout Structure of Valve Stem

When medium pass through the valve, the pressure in valve body may possibly push the stem out, or when the valve is in repair, if there is pressure in the middle cavity, the stem or medium seems to easily fly out upon disassembling the valve, which can cause injures to human beings, To prevent the possibilities, a dummy club is packing and thrust bearing are burnt or packing is damaged due to other causes,the pressure of medium in valve body will make the dummy club of valve stem in close contact with the upper seal face of valve body. Thus to prevent medium leaking out from the damage packing position.

-Reliable Seal Structure

The seat is made of PTFE. Because the contact area between seat and the ball will becomes more high with rising of pressure of the middle cavity, Small Resistance ball valve has the smallest resistance of all the valve, in the case of reduced bore, the resistance is little still.

-Prompt switch

The ball valve circumrotates in 90°,It work quickly to open or close.



Brief introduction :

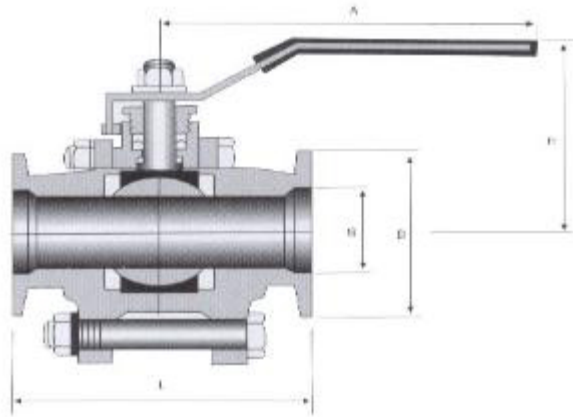
The ball valve is designed and manufactured according well to API 6D. Floating ball when small caliber, and fixed ball when large caliber. It has fire protection structure and antistatic device. Widely used for petroleum, chemistry, water treatment industries.

Main part & material

Part name	Material
body	WCB,ZG1Cr18Ni9Ti,CF8
ball	1Cr18Ni9Ti 304,316
stem	1Cr18Ni9Ti 304,316
seal ring	Polytetrafluoroethylene (PTFE)
packing	Polytetrafluoroethylene (PTFE)

PRODUCT – BALL VALVE

3pc Ready-Package Ball Valve



Main outer size mm

DN	G	D	L	H	A
15	1/2"	34	95	68	125
20	3/4"	50.5	105	70	125
25	1"	50.5	115	80	145
32	1-1/4"	50.5	125	84	145
40	1-1/2"	50.5	135	93	205
50	2"	64	150	100	205
65	2-1/2"	77.5	190	142	250
80	3"	91	220	155	250
90	3-1/2"	106			
100	4"	119			

Specification

Nominal pressure(Mpa)	PN	2.5,4.0,6.4
Strength testing pressure(Mpa)	PT	3.8,6.0,9.6
Low pressure seal test(Mpa)		0.6
High pressure seal test(Mpa)		3.0,4.8,7.6
Applicable medium	water, oil, gas, nitric acid, acetic acid	
Applicable temperature	-40 ~ 180 °C	



Office Address
SAIF ZONE | PO Box 8047
Sharjah, UAE.
Skype: Unitech Trading (unitechtrading)
Tel / Fax 00971-6-544-8882
Email <mailto:info@unitechtrading.com>

PRODUCT – BALL VALVE

3pc Ready-Package Ball Valve

Feature:

-Anti-blowout Structure of Valve Stem

When medium pass through the valve, the pressure in valve body may possibly push the stem out, or when the valve is in repair, if there is pressure in the middle cavity, the stem or medium seems to easily fly out upon disassembling the valve, which can cause injures to human

beings, To prevent the possibilities, a dummy club is packing and thrust bearing are burnt or packing is damaged due to other causes, the pressure of medium in valve body will make the dummy club of valve stem in close contact with the upper seal face of valve body. Thus

to prevent medium leaking out from the damage packing position.

-Reliable Seal Structure

The seat is made of PTFE. Because the contact area between seat and the ball will becomes more high with rising of pressure of the middle cavity, Small Resistance ball valve has the smallest resistance of all the valve, in the case of reduced bore, the resistance is little still.

-Prompt switch

The ball valve circumrotates in 90°, It work quickly to open or close.



Brief introduction :

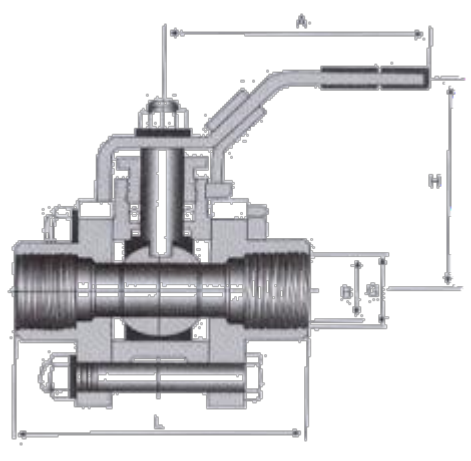
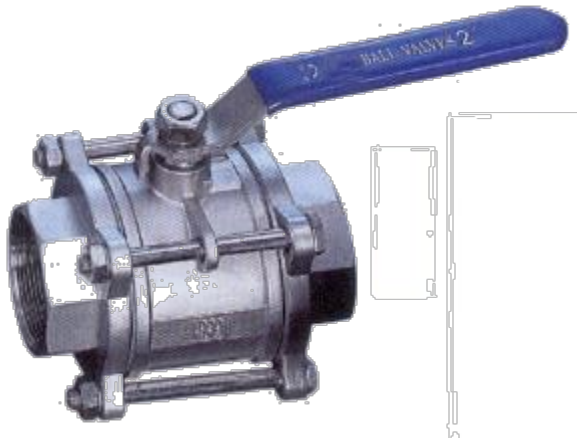
The ball valve is designed and manufactured according well to API 6D. Floating ball when small caliber, and fixed ball when large caliber. It has fire protection structure and antistatic device. Widely used for petroleum, chemistry, water treatment industries.

Main part & material

Part name	Material
body	WCB,ZG1Cr18Ni9Ti,CF8
ball	1Cr18Ni9Ti 304,316
stem	1Cr18Ni9Ti 304,316
seal ring	Polytetrafluoroethylene
packing	Polytetrafluoroethylene

PRODUCT – BALL VALVE

3pc Type Ball valve With Female Thread



Main outer size

mm

DN	G	B	L	H	A
6	1/4"	8	65	57	98
10	3/8"	10	65	57	98
15	1/2"	15	75	68	125
20	3/4"	20	85	70	125
25	1"	25	95	80	145
32	1-1/4"	32	110	84	145
40	1-1/2"	38	125	93	205
50	2"	50	150	100	205
65	2-1/2"	64	175	142	250
80	3"	76	216	155	265
100	4"	100	260	172	300

Specification

Nominal pressure(Mpa)	PN	2.5,4.0,6.4
Strength testing pressure(Mpa)	PT	3.8,6.0,9.6
Low pressure seal test(Mpa)		0.6
High pressure seal test(Mpa)		3.0,4.8,7.6
Applicable medium	water, oil, gas, nitric acid, acetic acid	
Applicable temperature	-40 ~ 180 °C	



Office Address
SAIF ZONE | PO Box 8047
Sharjah, UAE.
Skype: Unitech Trading (unitechtrading)
Tel / Fax 00971-6-544-8882
Email <mailto:info@unitechtrading.com>

PRODUCT – BALL VALVE

3pc Type Ball valve With Female Thread

Feature:

-Anti-blowout Structure of Valve Stem

When medium pass through the valve, the pressure in valve body may possibly push the stem out, or when the valve is in repair, if there is pressure in the middle cavity, the stem or medium seems to easily fly out upon disassembling the valve, which can cause injures to human

beings, To prevent the possibilities, a dummy club is packing and thrust bearing are burnt or packing is damaged due to other causes, the pressure of medium in valve body will make the dummy club of valve stem in close contact with the upper seal face of valve body. Thus

to prevent medium leaking out from the damage packing position.

-Reliable Seal Structure

The seat is made of PTFE. Because the contact area between seat and the ball will becomes more high with rising of pressure of the middle cavity, Small Resistance ball valve has the smallest resistance of all the valve, in the case of reduced bore, the resistance is little still.

-Prompt switch

The ball valve circumrotates in 90°, It work quickly to open or close.



Brief introduction :

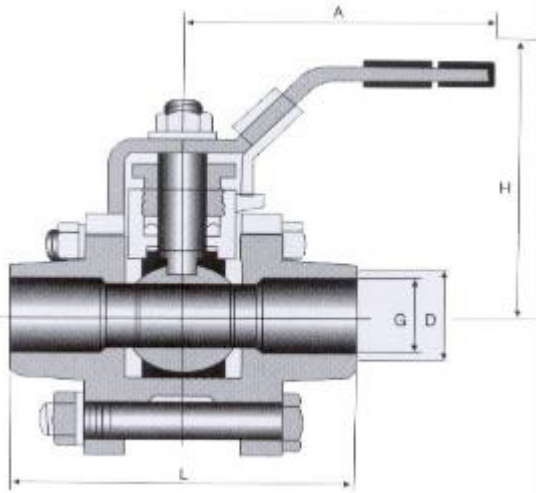
The ball valve is designed and manufactured according well to API 6D. Floating ball when small caliber, and fixed ball when large caliber. It has fire protection structure and antistatic device. Widely used for petroleum, chemistry, water treatment industries.

Main part & material

Part name	Material
body	WCB,ZG1Cr18Ni9Ti,CF8
ball	1Cr18Ni9Ti 304,316
stem	1Cr18Ni9Ti 304,316
seal ring	Polytetrafluoroethylene (PTFE)
packing	Polytetrafluoroethylene (PTFE)

PRODUCT – BALL VALVE

3PC WELDED BALL VALVE



DN	G	L	H	A
6	1/4"	65	52	105
10	3/8"	65	52	105
15	1/2"	75	65	130
20	3/4"	85	70	130
25	1"	95	80	150
32	1-1/4"	110	82	180
40	1-1/2"	125	90	200
50	2"	150	98	200
65	2-1/2"	175	140	240
80	3"	210	135	265
100	4"	260	155	300

Specification

Nominal pressure(Mpa)	PN	2.5,4.0,6.4
Strength testing pressure(Mpa)	PT	3.8,6.0,9.6
Low pressure seal test(Mpa)		0.6
High pressure seal test(Mpa)		3.0,4.8,7.6
Applicable medium	water, oil, gas, nitric acid, acetic acid	
Applicable temperature	-40 ~ 180 °C	

Feature:

-Anti-blowout Structure of Valve Stem

When medium pass through the valve, the pressure in valve body may possibly push the stem out, or when the valve is in repair, if there is pressure in the middle cavity, the stem or medium seems to easily fly out upon disassembling the valve,



Office Address
SAIF ZONE | PO Box 8047
Sharjah, UAE.
Skype: Unitech Trading (unitechtrading)
Tel / Fax 00971-6-544-8882
Email <mailto:info@unitechtrading.com>

PRODUCT – BALL VALVE

3PC WELDED BALL VALVE

which can cause injures to human beings, To prevent the possibilities, a dummy club is packing and thrust bearing are burnt or packing is damaged due to other causes, the pressure of medium in valve body will make the dummy club of valve stem in close contact with the upper seal face of valve body. Thus

to prevent medium leaking out from the damage packing position.

-Reliable Seal Structure

The seat is made of PTFE. Because the contact area between seat and the ball will becomes more high with rising of pressure of the middle cavity, Small Resistance ball valve has the smallest resistance of all the valve, in the case of reduced bore, the resistance is little still.

-Prompt switch

The ball valve circumrotates in 90°, which works quickly to open or close.



Brief introduction :

The ball valve is designed and manufactured according well to API 608. Floating ball for small caliber, and fixed ball for large caliber. It has fire protection structure and antistatic device. Widely used for petroleum 、 chemistry、 water treatment industries.

Features:

-Anti-blowout Structure of Valve Stem

When medium pass through the valve, the pressure in valve body may possibly push the stem out, or when the valve is in repair, if there is pressure in the middle cavity, the stem or medium seems to easily fly out upon disassembling the valve, which can cause injures to human

beings, To prevent the possibilities, a dummy club is packing and thrust bearing are burnt or packing is damaged due to other causes, the pressure of medium in valve body will make the dummy club of valve stem in close contact with the upper seal face of valve body. Thus

to prevent medium leaking out from the damage packing position.

-Reliable Seal Structure

The seat is made of PTFE. Because the contact area between seat and the ball will becomes more high with rising of pressure of the middle cavity, Small Resistance ball valve has the smallest resistance of all the valve, in the case of reduced bore, the

resistance is little still.

-Prompt switch

The ball valve circumrotates in 90°,It work quickly to open or close.

PRODUCT – BALL VALVE

ANSI BALL VALVE

MAIN PARTS

1	Body	WCB , CF8
2	Ball	304 , 316
3	Seat	Polytetrafluoroethylene
4	Packing	Graphite , Polytetrafluoroethylene
5	Stem	2Cr13
6	Lever	HT250, QT450

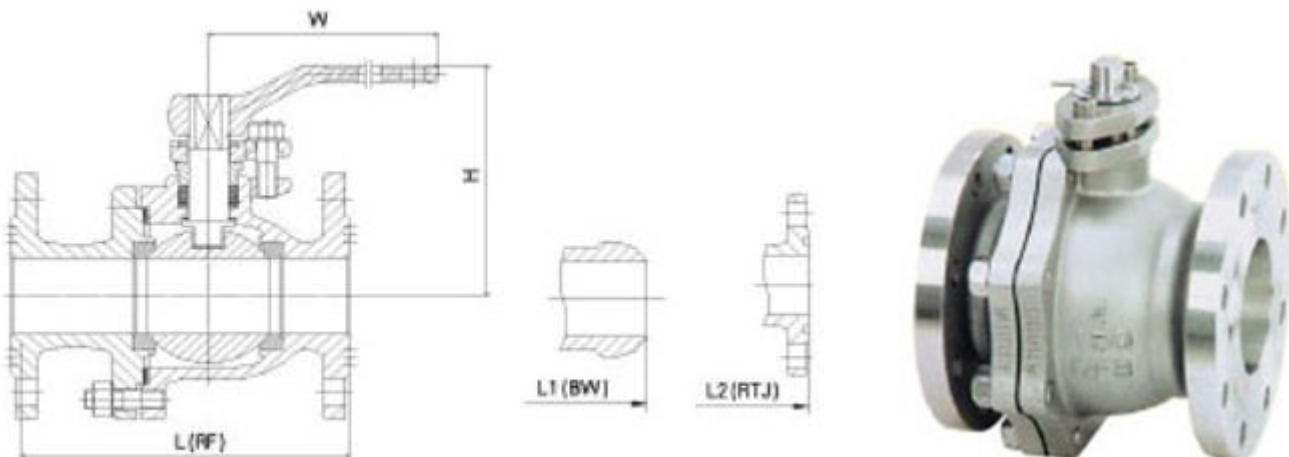
Technical Specification

- Nominal diameter: 1/2"-8"
- Applicable Temperature: -29°C~425°C (steel) -40°C~550°C(stainless steel)
- Nominal pressure: 150Lb 300Lb 600Lb
- Applicable Medium: water , gas, oil, and other causticity medium.

Applications Standard

- Manufacture standard : API 608
- Face to face dimension: ANSI B 16.10、 API 6D
- Flange dimension: ANSI B 16.5 MSS-SP-44
- Test: API 598 API 6D

Main external and connection dimension





Office Address
 SAIF ZONE | PO Box 8047
 Sharjah, UAE.
 Skype: Unitech Trading (unitechtrading)
 Tel / Fax 00971-6-544-8882
 Email <mailto:info@unitechtrading.com>

PRODUCT – BALL VALVE

ANSI BALL VALVE

CLASS150										
size(in)	1/2"	3/4"	1"	1-1/2"	2"	2-1/2"	3"	4"	6"	8"
L-RF(mm)	108	117	127	165	178	191	203	229	394	457
L1-BW(mm)	140	152	165	190	216	241	283	305	457	521
L2-RTJ(mm)	\	\	140	178	191	203	216	241	406	470
B	13	19	25	38	51	64	76	102	152	203
H	65	70	80	95	110	135	145	170	235	275
K	150	155	160	180	200	225	325	350	500	600
Weight(Kg)	3	4	5	8	12	21	26	43	80	155

CLASS300										
size(in)	1/2"	3/4"	1"	1-1/2"	2"	2-1/2"	3"	4"	6"	8"
L-RF(mm)	140	152	165	190	216	241	283	305	403	502
L1-BW(mm)	140	152	165	191	216	241	283	305	457	521
L2-RTJ(mm)	151	165	178	203	232	257	298	321	419	518
B(mm)	13	19	25	38	51	64	76	102	152	203
H(mm)	70	85	90	105	120	145	160	195	250	290
K(mm)	155	160	180	200	225	325	350	500	600	700
Weight(Kg)	3	5	7	13	15	28	32	55	105	170



Description

Eccentric Hemisphere Valve is to absorb the fixed home and abroad advanced technology and successfully developed new products that summed up the general ball valve, gate valves and other valves under the premise of the advantages and disadvantages, while the design and development of new products. This series ball valve is a traditional spiritual change in the crystallization of the rich, simple, reliable and effective sealing of the structure a way that it can not only better position to replace valve, but it can be applied to the use of the system. With top-mounted valve structure through the whole diameter, straight-through flow channel without flow resistance, flow resistance coefficient of zero, the water loss is zero, the valve sealing surface is not washed, open closed and sealed when the ball is not the core, erosion, and to meet the needs of different occasions. Long service life. The greatest feature of this valve is a pressure relief device system operating conditions, the valve is available online inspection and maintenance.

Widely used for oil exploration, food, medicine, petroleum, chemical, electric power, metallurgy, natural gas, steel, environmental protection, urban construction, environmental protection, paper and other medium.



Description

Applicable for the fluid containing fibers, the high-viscosity fluid containing solid particles, the special fluid control and flow regulating, it can also be used as the isolating valve for its reliable sealing. It is widely employed in chemical industry, paper-making, petroleum, electric power, etc. It has excellent performance.

Features:

1. Preeminent performance of adjustment control

The ball is of "V" pattern. At any position from full open to full close, it always keeps the standard geometry. The V curve of discharge characteristic is similar to the percentage curve, which may realize the precise control of the flow.

2. One piece body

One piece integral body, the strength is high, stress deformation resistance is strong, has no central flange, confinement reliability is improved, has no bending transition at the flow passage not accumulate, not block, has little influence upon the fluid.

3. Reliable seat sealing

The sealing surface build-up welding is handled by hard facing and employ the advanced seat grinding technology and gliding ball technology to make V type ball valve have reliable sealing performance.

4. Ball



Office Address
SAIF ZONE | PO Box 8047
Sharjah, UAE.
Skype: Unitech Trading (unitechtrading)
Tel / Fax 00971-6-544-8882
Email <mailto:info@unitechtrading.com>

PRODUCT – BALL VALVE

Flange V Type Ball Valve

The ball hard surface handled, both the two ends are V pattern, which is easy to precise control for flow also can realize the shearing action for the fluid containing cellulosic, the high-viscosity fluid containing solid particles when shutting.

5. Sealing packing

The stem adopts the adjustable jam type packing of V type PTFE or RPPL. Ensure that has reliable sealing and no out leakage under the middle and high temperature.

6. Driver

Complement using driver adopts the adjustable manual exerciser, pneumatic driver and adjustable electric driver



Description

Orbit ball valve is mainly used in pipeline and industry system and it adopts top entry design and on line maintenance function. It has a lot of advantages, such as small fluid resistance, simple structure, small volume, light weight, reliable sealing, convenience for operation and maintenance, open and close quickly, as well as start and close flexibly.

1. The structure of the single valve seat under the static state can ensure the tightness, reliability and zero leak of the two surface seal.
2. Top entrance design can make the system service in line.
3. The framework under the valve stem can supply a tight power of the mechanical wedge to ensure the continuous tight seal.
4. The opening and the closing course are completed in two segments, the rising and falling distance is short which is easy to operate.
5. In the course of the opening and closing operation, the sealed surface separates from touching completely without abrasion. The operating torsion is short and en-length valves' life.
6. The vacuum which is formed by the course of sphere spinning accelerates the velocity of flow of the medium in the channel and this course can achieve the clean out of the sealed surface.
7. The fire-safe design of the ball valve is according to the standard of API 607, API6FA and JB/F6899. When the soft seal burns, the fireproofing construction of the ball valve can prevent the medium from much leaking, stop the fire .
8. Operation can be Lever, Gearbox, Pneumatic, Electric Actuator.



Description

Top Entry Ball Valve is to absorb the fixed home and abroad advanced technology and successfully developed new products that summed up the general ball valve, gate valves and other valves under the premise of the advantages and disadvantages, while the design and development of new products. This series ball valve is a traditional spiritual change in the crystallization of the rich, simple, reliable and effective sealing of the structure a way that it can not only better position to replace valve, but it can be applied to the use of the system. With top-mounted valve structure through the whole diameter, straight-through flow channel without flow resistance, flow resistance coefficient of zero, the water loss is zero, the valve sealing surface is not washed, open closed and sealed when the ball is not the core, erosion, and to meet the needs of different occasions. Long service life. The greatest feature of this valve is a pressure relief device system operating conditions, the valve is available online inspection and maintenance.

Widely used for oil exploration, food, medicine, petroleum, chemical, electric power, metallurgy, natural gas, steel, environmental protection, urban construction, environmental protection, paper and other medium.



Description

Trunnion Mounted Ball Valves are a traditional spiritual change in the crystallization of the rich, simple, reliable and effective sealing of the structure a way that it can not only better position to replace valve, but it can be applied to the use of the system. With top-mounted valve structure through the whole diameter, straight-through flow channel without flow resistance, flow resistance coefficient of zero, the water loss is zero, the valve sealing surface is not washed, open closed and sealed when the ball is not the core, erosion, and to meet the needs of different occasions. Long service life. The greatest feature of this valve is a pressure relief device system operating conditions, the valve is available online inspection and maintenance.

Widely used for oil exploration, food, medicine, petroleum, chemical, electric power, metallurgy, natural gas, steel, environmental protection, urban construction, environmental protection, paper and other medium.



Description

The electronic control valve is a kind of waterpower operated valves that utilizes a solenoid valves as its pilot valves. It is normally used in automatic control for water supply and drain systems and other industrial systems. It is precise and quick in its response in the process of control and utilizes remote operations through turning on/off the management system via remote control signals. It can also replace gate valves and butterfly valves for application in large-sized electrically operated systems because the shut-off speed of the valves is adjustable and smooth shutoff can be realized without causing any pressure variation. This valve is small in volume and weight, simple to maintain and repair, easy to use, safe and reliable. Both 220VAC and 24VDC can be used for the solenoid valves and you can choose to use the constantly open or constantly closed valves according to you actual needs during a specific situation.

Standard and regulation

Flange connection dimension: GB/T 17241.6-1998, GB/T 9113.1-2000

Nominal pressure: PN0.6MPa, PN1.0MPa, PN1.6MPa, PN2.5MPa

Nominal diameter: DN20~450mm

Suitable medium: Water

Suitable temperature: $\leq 80^{\circ}\text{C}$

Inspection and test: GB/T 13927, API598

Body material: Cast iron, Ductile cast iron



Description

Emergency shut down valve belongs to a kind of valve that is intended for use in a water supply system in which the fire fighting water and domestic water are connected in parallel and for the control of the direction of water supply. When a fire breaks out and a large quantity of water is in great need for fire fighting purpose, the emergency shut down valve cuts off the domestic water supply immediately so as to ensure enough fire fighting water. When the fire fighting is over and the pressure in terms of water use has dropped, the valve switches on automatically to stay in the constantly open state and the normal domestic water supply is restored. This valve makes it unnecessary to set a separate fire fighting water supply network in the system, thereby greatly reducing the construction cost and water consumption. Furthermore, the valves is high in control sensitivity, safe, reliable, simple to debug and offers a long service life.

Standard and regulation

Flange connection dimension: GB/T 17241.6-1998, GB/T 9113.1-2000

Nominal pressure: PN0.6MPa, PN1.0MPa, PN1.6MPa, PN2.5MPa

Nominal diameter: DN20~450mm

Suitable medium: Water

Suitable temperature: $\leq 80^{\circ}\text{C}$

Inspection and test: GB/T 13927, API598

Body material: Cast iron, Ductile cast iron



Description

The main valve is controlled by a float ball valve which locates on the top of tank or reservoir. The valve maintains the maximum water level of tank or reservoir continuously. Float controlled valve is a multi-function hydraulic control valve. The water level can be controlled below a preset elevation, which can be widely used in influent pipes of the pools and water tower in high-rise buildings, municipal domestic water systems, fire fighting facilities, factories and mines.

Standard and regulation

Flange connection dimension: GB/T 17241.6-1998, GB/T 9113.1-2000

Nominal pressure: PN0.6MPa, PN1.0MPa, PN1.6MPa, PN2.5MPa

Nominal diameter: DN40~450mm

Suitable medium: Water

Suitable temperature: $\leq 80^{\circ}\text{C}$

Inspection and test: GB/T 13927, API598

Body material: Cast iron, Ductile cast iron



Description

The valves have slow-open, quick-close and slow-close function to prevent water-hammering when open or close pump. Only push the button for closing or opening pump and the valves can run according to the pump's operation procedure with large flow and little pressure loss. Diaphragm type multifunctional pump control valves is for DN 450 or less valves.

Standard and regulation

Flange connection dimension: GB/T 17241.6-1998, GB/T 9113.1-2000

Nominal pressure: PN0.6MPa, PN1.0MPa, PN1.6MPa, PN2.5MPa

Nominal diameter: Diaphragm type DN50~450mm, Piston type DN500~900mm

Suitable medium: Water

Suitable temperature: $\leq 80^{\circ}\text{C}$

Inspection and test: GB/T 13927, API598

Body material: Cast iron, Ductile cast iron, Carbon Steel, Stainless steel



Description

Multifunctional Remote Control Float Valve is a hydraulically-operated valves with much function. It is installed at the inlet of spool or water tower. When the water level reach to the setting, the main valve controlled by the pilot valve, close and stop supplying water; when the water level falls downward, the main valve controlled by the pilot valve, opens and supplies water to the pool. The water level is controlled precisely and is not interfered by the water pressure. Floating ball remote control valve can be installed freely according to the pool's height and use space. It is easy to maintain and inspect the valves.

Standard and regulation

Flange connection dimension: GB/T 17241.6-1998, GB/T 9113.1-2000

Nominal pressure: PN0.6MPa, PN1.0MPa, PN1.6MPa, PN2.5MPa

Nominal diameter: Diaphragm type DN50~450mm, Piston type DN500~900mm

Suitable medium: Water

Suitable temperature: $\leq 80^{\circ}\text{C}$

Inspection and test: GB/T 13927, API598

Body material: Cast iron, Ductile cast iron, Carbon Steel, Stainless steel



Description Pressure differential balance valve is a kind of valve intended for use between the water supply part and the return water part of an air conditioning system to balance the pressure difference. This valve can increase the utilization factor of a system, maintain the pressure difference at a precise constant value, and maximally reduce the system noise and avoid damages caused to the equipment because of an excessive pressure difference. Pressure differential balance valve excels over other balance valves in the fact that it does not have an actuating mechanism, depends entirely on its own pressure difference to realize the function of balancing the system. Accordingly, our pressure differential balance valve saves energy and requires little installation space, thus can be regarded as a smart valve. Standard and regulation Flange connection dimension: GB/T 17241.6-1998, GB/T 9113.1-2000 Nominal pressure: PN0.6MPa, PN1.0MPa, PN1.6MPa, PN2.5MPa Nominal diameter: DN20~450mm Suitable medium: Water Suitable temperature: $\leq 80^{\circ}\text{C}$ Inspection and test: GB/T 13927, API598 Body material: Cast iron, Ductile cast iron



Brief introduction :

Stream lined body, combined floating-ball disc with cone-shape sealing surface, these insure no abnormal vibration and noise when the valve is in use. These can also reduce pressure loss, makes the scope of upstream pressure much wider than other pressure valves and pressure output more stable. Widely used in potable water supply, building construction and so on.

Features:

⊙ Unique design

Streamlined body. Combined floating-ball valve clack. Cone-shape sealing surface. Diaphragm type control. Filter installed at the pipe system. Screw hole at the bottom can clear the sediment.

⊙ Excellent proof corrosion characteristics

Internal and external epoxy resin coating. Floating-ball and filter are both made of bronze.

⊙ Reliable hygiene principles

Epoxy resin and rubber comply with hygiene standard. Sealing material are made of rubber and PTFE. Trims are made of stainless steel or bronze.

Main part & material

Body, Bonnet: GGG50 with internal and external epoxy resin coating

Seat, Bushing, Disc: ZCuAl10Fe3 Bronze

Stem, Spring: 1Cr17Ni12Mo2Ti, Stainless steel

Diaphragm, O-ring: NBR, EPDM

Seal ring: PTFE

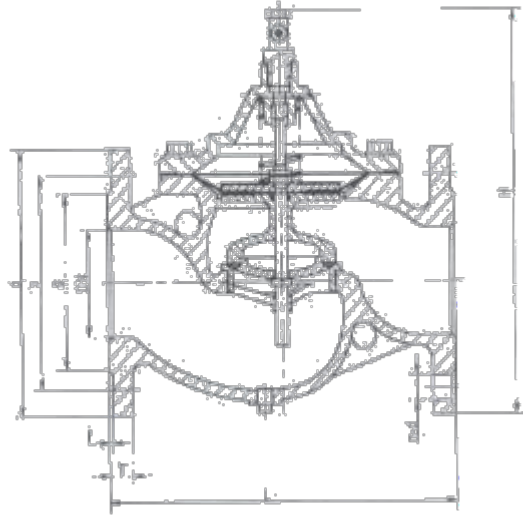
PRODUCT - CONTROL VALVE

PRESSURE REDUCING VALVE

Technical Specification

- Nominal diameter : 50~300mm
- Nominal pressure : 1.0/1.6Mpa-Strength testing pressure : 1.5/2.4Mpa
- Sealing testing pressure : 1.1/1.76Mpa
- Downstream pressure: 0.3~0.9MPa/ 0.3~1.5MPa

Design standard	GB12246
Face to face	DIN2501
Flange end	DIN 2501
Test & inspection	GB/T13927
Working temperature	Less than 80 °C



DN	L	H	Flange dimensions comply with DIN2501(mm)										
			O		C		g		f	T		n-d	
			1.0	1.6	1.0	1.6	1.0	1.6		1.0	1.6	1.0	1.6
50	203	260	165	165	125	125	99	99	3	19	19	4-19	4-19
80	241	310	200	200	160	160	132	132	3	19	19	8-19	8-19
100	305	340	220	220	180	180	156	156	3	19	19	8-19	8-19
150	356	490	285	285	240	240	211	211	3	19	19	8-23	8-23
200	4 95	620	340	340	295	295	266	266	3	20	20	8-23	12-23
250	622	760	395	405	350	355	319	319	3	22	22	12-23	12-28
300	698	905	445	460	400	410	370	370	4	24.5	24.5	12-23	12-28



Description

Adjustable pressure reducing and sustaining valves is installed in feeding/draining water system in high building to reduce the inlet pressure to required pressure. The valves ensure outlet pressure stay in the setting pressure stably by its own energy, that is, the outlet pressure does not change owing to the inlet pressure's and flow's change. There is self-cleaning filtering mesh installed at the valves control system's inlet not to let the great specific gravity and large diameter particle flow into the system and ensure the system unimpeded. The valve acts quickly and has a long lifespan.

Standard and regulation

Flange connection dimension: GB/T 17241.6-1998, GB/T 9113.1-2000

Nominal pressure: PN0.6MPa, PN1.0MPa, PN1.6MPa, PN2.5MPa

Nominal diameter: Diaphragm type DN50~450mm, Piston type DN500~900mm

Suitable medium: Water

Suitable temperature: $\leq 80^{\circ}\text{C}$

Inspection and test: GB/T 13927, API598

Body material: Cast iron, Ductile cast iron, Carbon Steel, Stainless steel



Brief introduction :

The globe valve is designed reference to advanced internal and international standard. The body adopt sphere configuration, and it also has the feature of good appearance、 nice function and superior quality. Apply from CLASS150 to CLASS1500, and -29°C~425°C (steel) 、 -40°C~550°C(stainless steel)。 Using different material, the valve may works with different medium, such as water,oil,gas,steam,carbamide and other medium.

Features:

-Back seal

Back seal design to ensure dependable packing and sealing when valve is fully opened.(Replacement of packing under pressure is not recommended)

-Resist friction

Valve disc is given enough intensity and rigidity. Disc sealing surface may be built-up welded with satellite alloy inlaid or other material responding to the users' requests .

-Precise design :

Design the body and bonnet according to precise calculation. Body and bonnet have high strength , rigid and flow ability .

1	Body	WCB, CF8, CF8M
2	Seat	2Cr13、 25+ satellite
3	Disc	2Cr13, 304, 25+satelite
4	Stem	2Cr13, 304, 304L
5	Gasket	Graphite+304, Graphite+08 steel
6	Bonnet	WCB、 CF8、 CF8M
7	Packing	Graphite、 PTFE
8	Hand wheel	HT250、 QT450

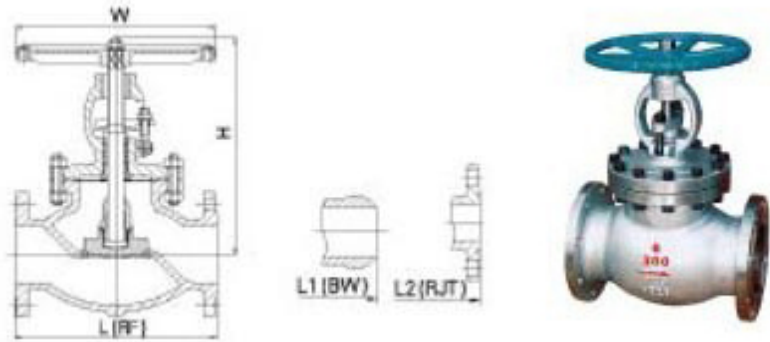
PRODUCT - GLOBE VALVE

ANSI GLOBE VALVE

Technical Specification

- Nominal diameter: 2"-12"
 - Applicable Temperature: -29°C~425°C (steel) -40°C~550°C (stainless steel)
 - Nominal pressure: 150Lb 300Lb 600Lb 900Lb 1500Lb
 - Applicable Medium: water 、 gas、 oil、 and other causticity medium.
- Applications Standard
- Manufacture standard : ANSI B16.34
 - Face to face dimension: ANSI B 16.10
 - Flange dimension: ANSI B 16.5
 - Test: API 598

Main external and connection dimension



	CLASS150								
size(in)	2"	2-1/2"	3"	4"	5"	6"	8"	10"	12"
L,L1-RF.BW(mm)	203	216	214	292	330	356	495	622	698
L2-RTJ(mm)	216	229	254	305	343	368	508	635	711
H(mm)	330	390	410	475	540	585	725	825	940
K(mm)	200	250	250	300	350	350	450	500	600
Weight(Kg)	23	29	40	59	95	115	178	268	385

	CLASS300								
size(in)	2"	2-1/2"	3"	4"	5"	6"	8"	10"	12"
L,L1-RF.BW(mm)	267	292	318	355	400	440	533	622	711
L2-RTJ(mm)	283	308	333	371	416	460	549	638	727
H(mm)	350	425	485	520	565	655	825	920	1155
K(mm)	200	250	300	300	350	350	500	600	700
Weight(Kg)	30	45	60	83	135	162	265	375	525



Office Address
 SAIF ZONE | PO Box 8047
 Sharjah, UAE.
 Skype: Unitech Trading (unitechtrading)
 Tel / Fax 00971-6-544-8882
 Email <mailto:info@unitechtrading.com>

PRODUCT - GLOBE VALVE

ANSI GLOBE VALVE

	CLASS600							
size(in)	2"	2-1/2"	3"	4"	5"	6"	8"	10"
L,L1-RF.BW(mm)	292	330	356	432	508	559	660	787
L2-RTJ(mm)	295	333	359	435	511	562	664	791
H(mm)	420	490	550	590	620	700	950	1140
K(mm)	250	300	300	350	500	500	600	600
Weight(Kg)	39	61	76	122	210	245	447	692

	CLASS900							
size(in)	2"	2-1/2"	3"	4"	5"	6"	8"	
L,L1-RF.BW(mm)	368	419	381	457	559	610	737	
L2-RTJ(mm)	371	422	384	460	562	613	740	
H(mm)	495	540	600	655	670	780	1050	
K(mm)	300	350	350	500	500	350*	350*	
Weight(Kg)	96	79	117	178	305	355	730	

Note: Use "*", mean have fixed the gear box.

	CLASS1500				
size(in)	2"	2-1/2"	3"	4"	6"
L,L1-RF.BW(mm)	368	419	470	546	705
L2-RTJ(mm)	371	422	473	549	711
H(mm)	550	582	625	750	925
K(mm)	300	350	400	450	600
Weight(Kg)	116	125	145	210	475



Description

Bellow Seal Globe Valve is a high quality valve , importing abroad advance technology.

Nominal Pressure(MPa): 1.6, 2.5, 4.0

Sizes: DN15mm to 400mm

Applications: Industry, power stations, flue gas purification plant, processing technology, gas supply, vapour facilities, recycling facilities, vacuum facilities, hot water, heating technology, district heating, thermal oil applications, general plant manufacturing, etc.

Mediums: Steam, gases, hot water, thermal oil, process water, vacuum facilities, ammonia etc.



Description

The globe valve is designed reference to advanced internal and international standard. The body adopts sphere configuration, and it also has the feature of good appearance、 nice function and superior quality.

Applicable Medium: water 、 gas、 oil、 and other causticity medium.

Nominal Pressure(MPa):1.6, 2.5, 4.0, 6.4, 10.0, 16.0

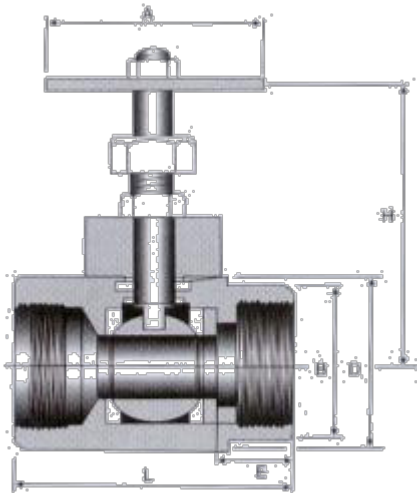
Sizes: DN 10-300

PRODUCT - GLOBE VALVE

FEMALE THREAD GLOBE VALVE



MAIN OUTER SIZE



DN	G	L	E	B	H	A
6	1/4"	60	15	23	80	60
10	3/8"	60	15	26	80	60
15	1/2"	65	16	31	100	70
20	3/4"	80	18	38	108	70
25	1"	90	20	46	118	80
32	1-1/4"	105	21.5	56	126	80
40	1-1/2"	120	23	63	139	100
50	2"	140	24.5	76	157	100



Office Address
SAIF ZONE | PO Box 8047
Sharjah, UAE.
Skype: Unitech Trading (unitechtrading)
Tel / Fax 00971-6-544-8882
Email <mailto:info@unitechtrading.com>

PRODUCT - GLOBE VALVE

FEMALE THREAD GLOBE VALVE

SPECIFICATION

Nominal pressure(Mpa)	PN	2.5,4.0
Strength testing pressure(Mpa)	PT	3.8,6.0,9.6
Low pressure seal test(Mpa)		0.6
High pressure seal test(Mpa)		2.8,4.4,7.04
Applicable medium	water, oil, gas, nitric acid, acetic acid	
Applicable temperature	-40 ~ 180 °C	

Main part & material

Part name	Material
body	WCB,ZG1Cr18Ni9Ti,CF8,CF8M
Disc	1Cr18Ni9Ti 304,316
stem	1Cr18Ni9Ti 304,316
Seal ring	304,316(CF8,CF8M)
Packing	Polytetrafluoroethylene (PTFE)

PRODUCT - GLOBE VALVE
FORGED STEEL GLOBE VALVE

Brief introduction :

Forged steel globe valves are available in three bonnet designs. The first design is the Bolted, with male-female joint, spiral wound gasket, made in F304L/graphite. Ring joint gasket are also available on request. The second design is the welded bonnet, with a threaded and seal welded joint. On request a full penetration strength welded joint is available. The third design is the pressure seal bonnet, with a threaded and pressure seal bonnet joint.

NO.	Part Name	CS to ASTM	AS to ASTM	SS to ASTM	
		Type A105	Type F22	Type F304(L)	Type F316(L)
1	Body	A105	A182 F22	A182 F304(L)	A182 F316(L)
2	Disc	A276 420	A276 304	A276 304(L)	A276 316(L)
3	Stem	A182 F6	A182 F304	A182 F304(L)	A182 F316(L)
4	Gasket	Corrugated SS+ graphite		SS+PTFE	
5	Bonnet Bolt	A105	A276 304	A276 F304(L)	A276 F316(L)
6	Bonnet Bolt	A193 B7	A193 B16	A193 B8	A193 B8M
7	Pin	A276 420		A276 304	
8	Gland	A276 410		A182 F304(L)	A182 F316(L)
9	Gland Eyebolt	A193 B7	A193 B16	A193 B8	A193 B8M
10	Gland Flange	A216 WCB		A351 CF8	
11	Gland Nut	A194 2H	A194 4	A194 8	A194 8M
12	Yoke Nut	A276 410			
13	H.W.Lock Nut	A194 2H	A194 4	A194 8	A194 8M
14	Nameplate	SS			
15	Handwheel	A197			
16	Stem Packing	Flexible			PTFE
	Suitable Medium	Water, oil, gas etc.,		Water, oil, gas etc.,	HNO ₃ , CH ₃ OOH etc
	Suitable Temperature	-29 °C ~ 425 °C		-29 °C ~ 550 °C	-29 °C ~ 180 °C

PRODUCT - GLOBE VALVE

FORGED STEEL GLOBE VALVE

Technical Specification

- ✘ Globe valves conform to API 602, and ASME B 16.34 ✘ each are tested according to API 598, and marking is per MSS SP-25
- ✘ Full Port or Conventional Port ✘ Outside Screw and Yoke(OS & Y) ✘ Two piece self-aligning packing gland ✘ Bolted bonnet with spiral wound gasket, threaded and seal welded bonnet or threaded and pressure seal bonnet
- ✘ Integral backseat ✘ Socket weld ends to ASME B16.11 ✘ Screwed Ends (NPT) to ANSI/ASME B1.20.1

Main external and connection dimension



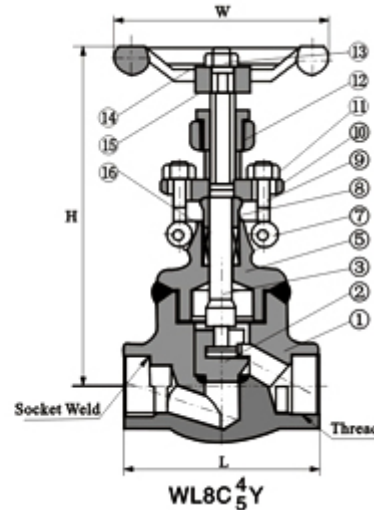
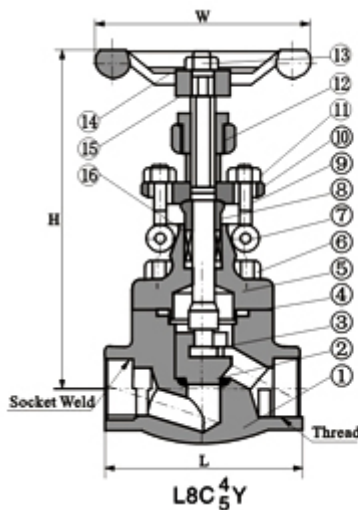
Bolted Bonnet



Welded Bonnet



Pressure Seal Bonnet





Office Address
 SAIF ZONE | PO Box 8047
 Sharjah, UAE.
 Skype: Unitech Trading (unitechtrading)
 Tel / Fax 00971-6-544-8882
 Email <mailto:info@unitechtrading.com>

PRODUCT - GLOBE VALVE

FORGED STEEL GLOBE VALVE

CLASS 800LB

NPS	Conv.	3/8"	1/2"	3/4"	1"	1 1/4"	1 1/2"	2"	
	Full		3/8"	1/2"	3/4"	1"	1 1/4"	1 1/2"	2"
L		79	79	92	111	120	152	172	200
H(OPEN)		166	166	171	207	240	258	330	355
W		100	100	100	125	160	160	180	200
Weight	Bolted	1.9	1.9	2.1	3.5	6.0	7.5	11.4	14.6
	Welded	1.7	1.7	1.9	3.3	5.2	6.8	10.6	13.8

CLASS 900LB~ 1500LB

NPS	Conv.	3/8"	1/2"	3/4"	1"	1 1/4"	1 1/2"	2"	
	Full		3/8"	1/2"	3/4"	1"	1 1/4"	1 1/2"	2"
L		92	111	111	120	152	172	200	220
H(OPEN)		171	207	207	240	258	330	355	370
W		100	125	125	160	160	180	200	240
Weight	Bolted	2.2	3.7	3.6	6.8	7.6	11.6	15.0	21.9
	Welded	2.0	3.4	3.3	6.0	5.6	10.3	14.2	18.0



Description

Multiport Plug Valve is applicable to change the media flowing direction or to distribute the media. Widely used in industries such as petroleum, chemical industry, pharmacy, chemical fertilizer, power, industry etc.

Nominal Pressure: class 150lb~900lb, PN1.0~16.0

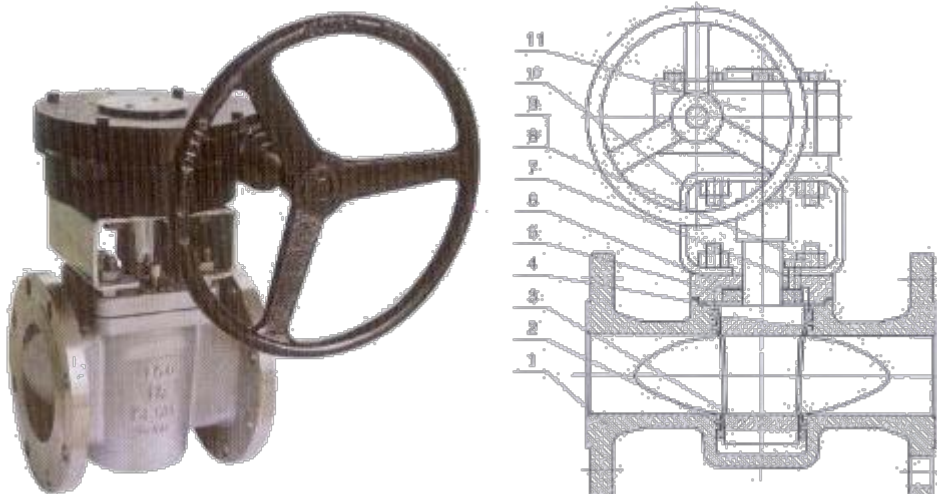
Working temperature : -29 °C~550 °C.



Brief instruction:

DIN Plug Valve is applicable to the cutting and connection of pipelines medium that are used in various industries such as petroleum, chemical industry, pharmacy, chemical fertilizer, power industry etc under nominal pressure of PN1.6~16Mpa, and working temperature of -29~180°C.

Main parts & materials:



PRODUCT - PLUG VALVE

DIN PLUG VALVE

No.	Part name	material
1	Body	GS-C25
		1.7363
		1.4308,1.4408,1.4306,1.4301
2	Sleeve	PTFE
3	Plug	ASTM A182-Gr,F6a,ASTM A182-F22
		ASTM A182-F304,F316,F321,F304L,F316L
4	Gasket	Flexible graphite + stainless steel, PTFE
5	Adjusting gasket	ASTM A182-Gr,F6a,ASTM A182-F22
		ASTM A182-F304,F316,F321,F304L,F316L
6	Cover	GS-C25
		1.7363
		1.4308,1.4408,1.4306,1.4301
7	Adjusting bolt	ASTM A193-B7, A320-B8, A193-B8M
8	Net	ASTM A194-2H, A194-8, A194-8M
9	Bolt	ASTM A193-B7, A320-B8, A193-B8M
10	Yoke	Q235,WCB
11	Worm	

Feature:

The product has reasonable structure, reliable sealing, excellent performance and beautiful appearance. Its sealing is realized by the sealing face around the sleeve. It has unique 360 degree metal edge for protection and fixing of the clipping cover.

There is no cavity in the valve for accumulation of medium.

Metal edge provides the function of self-cleaning when the plug is rotated, applicable to the operation condition that is glutinous and apt to smudge.

Its characteristic double-direction flow makes installation and sue more convenient.

6. The materials of the parts and sizes of flanges can be reasonably configured according the actual operation condition of the requirements of the customers, so as to meet the various needs of engineering.

PRODUCT - PLUG VALVE

DIN PLUG VALVE

Executive standard

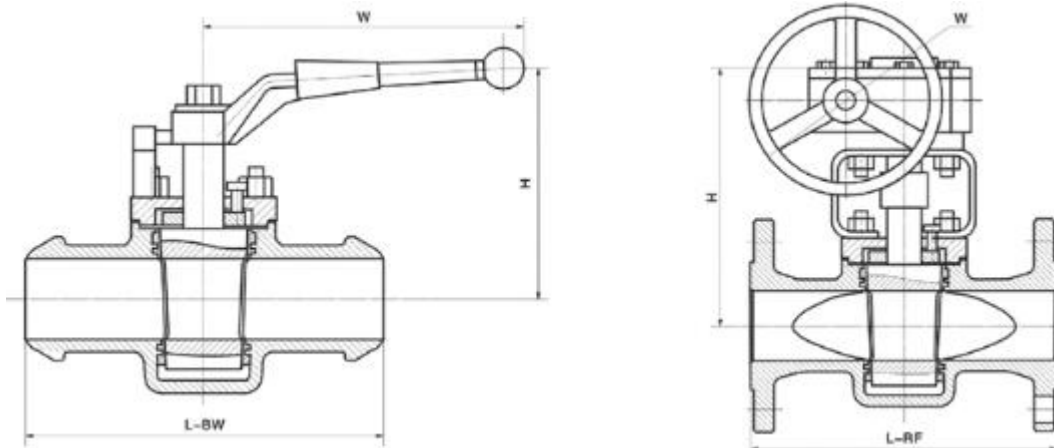
Structural formation	BC
Driving manner	Wrench wheel, worm & worm gear, pneumatic, electric-actuated
Design standard	API599, API6D
Face to face	DIN 3202F!
Flange end	DIN 2543-2549
Test & inspection	DIN 3230

The size of serial valve connecting flange can be designed according to customers' requirement.

Main technical data.

Nominal pressure(MPa)	Shell test(MPa)	Sealing test(MPa)	Suitable temp	Suitable medium
1.6	2.4	1.76	-29~180 °C	Water, oil & gas
2.5	3.75	2.75		
4.0	6.0	4.40		
6.4	9.6	7.04		
10.0	15.0	11.0		
16.0	24.0	17.6		

Main external and connection dimension





Office Address
 SAIF ZONE | PO Box 8047
 Sharjah, UAE.
 Skype: Unitech Trading (unitechtrading)
 Tel / Fax 00971-6-544-8882
 Email <mailto:info@unitechtrading.com>

PRODUCT - PLUG VALVE

DIN PLUG VALVE

KQDX43- 16																
pressure		PN16														
mm	15	20	25	32	40	50	65	80	100	125	150	200	250	300	350	
L		130	150	160	180	200	230	290	310	350	400	480	600	730	850	980
H		150	155	160	180	190	200	220	230	380	460	520	580	620	680	740
W		300	300	300	350	400	500	500	550	300	300	320	320	350	380	380
Weight		9	10	11	13	14	19	23	27	43	62	75	155	222	390	580
KQDX43-25																
pressure		PN25														
mm	15	20	25	32	40	50	65	80	100	125	150	200	250	300	350	
L		130	150	160	180	200	230	290	310	350	400	480	600	730	850	980
H		150	155	160	180	190	200	220	230	380	460	520	580	620	680	740
W		300	300	300	350	400	500	500	550	300	300	320	320	350	380	380
Weight		10	11	13	15	17	22	31	55	77	88	190	190	235	399	630
KQDX43-40																
pressure		PN40														
mm	15	20	25	32	40	50	65	80	100	125	150	200	250	300	350	
L		130	150	160	180	200	230	290	310	350	400	480	600	730	850	980
H		190	195	225	260	280	310	340	395	435	470	535	590	630	680	720
W		120	140	140	180	200	220	260	280	300	340	400	450	450	500	500
Weight		12	14	18	21	24	29	33	39	75	103	146	251	337	521	720
KQDX43-64																
pressure		PN64														
mm	15	20	25	32	40	50	65	80	100	125	150	200	250	300	350	
L		130	150	160	180	200	230	290	310	350	400	480	600	730	850	980
H		190	195	225	260	280	310	340	395	435	470	535	590	630	680	720
W		120	140	140	180	200	220	260	280	300	340	400	450	450	500	500
Weight		14	17	22	25	29	34	43	50	94	123	170	291	430	625	875
note: 100mm or above with worm gear																



Description

Inverted Plug Valve is a self-lubricated taper plug valve designed to offer leak tight operation over its entire service life. Ideally suited for non-corrosive services like compressed air, low pressure gas, fuel oil, hot and cold water and low temperature steam.

Nominal Pressure:150lb-900lb

Nominal Diameter:2"-24"

Connecting Flange: ANSI B16.5/DIN2533

Main Materials:A216WCB/A351CF8, CF8M, CF3, CF3M

Seal Type: soft metal

Standard: DIN, BS,API,GB,JIS

Operation Manner: manual, electric , pneumatic, hydraulic, and (worm) gear operation



Description

It's simple and rugged design make it suitable for severe applications at high temperatures or with highly abrasive or erosive materials. Lift Plug Valve is utilized as an Isolation and Switch valve. In visbreaking, cracking, hydroprocessing, distillation and deasphalting refinery applications, the lift plug has proven to be an ideal isolation valve with many advantages over traditional ball valves and t-pieces.

Features:

- Seat seal design ensures a perfect seal
- Seals are not worn during operation
- No dead spaces
- Integral Block and Bleed
- Available in high temperature and pressure designs
- Electric, pneumatic, and hydraulic actuation available
- Straight or Inverted Plug, full or reduced bore, round or oval
- Top or bottom entry for easy maintenance
- Nominal Pressure:CL150-600lb
- Nominal Diameter:2-14"



Description

Lubricated plug valve is a self-lubricated taper plug valve designed to offer leak tight operation over its entire service life. Ideally suited for non-corrosive services like compressed air, low pressure gas, fuel oil, hot and cold water and low temperature steam.

Nominal Pressure:150lb-900lb

Nominal Diameter:2"-24"

Connecting Flange: ANSI B16.5/DIN2533

Main Materials:A216WCB/A351CF8, CF8M, CF3, CF3M

Seal Type: soft metal

Standard: DIN, BS,API,GB,JIS

Operation Manner: manual, electric , pneumatic, hydraulic, and (worm) gear operation



Description

Orbit plug valve (general valve) is applicable to the cutting and connection of pipelines medium that are used in various industries such as petroleum, chemical industry, chemical fertilizer, power industry etc under nominal pressure of CLASS150-900LBS, and working temperature of -29°C to 180°C

Features:

Reasonable structure, reliable sealing, excellent performance and beautiful appearance;

Sealing is realized by the sealing rings around the valve disc. It has unique protection of wallow-tailed sink and fixed sealing rings;

Characteristic double-direction flow makes installation and use more convenient;

The materials of the parts and sizes of flanges can be reasonably configured according to the actual operating condition of the requirements of the customize, so as to meet the various needs of engineering



Description

Pneumatic plug valve includes 3-way, four way plug valve, which is applicable to change the media flowing direction or to distribute the media. Widely used in industries such as petroleum, chemical industry, pharmacy, chemical fertilizer, power, industry etc.

Nominal Pressure: class 150lb~900lb, PN1.0~16.0

Working temperature : -29 °C~550 °C.

Structure Feature :

1. The product has reasonable structure, reliable sealing, excellent performance and beautiful appearance.
2. According to different conditions, the 3 way, 4 way plug valve can be designed into multiple media flowing forms (eg. "L" type or "T" type) or all kinds of material (eg. Iron, cast steel , stainless steel) or sealing type (eg. Metal to metal , sleeve type , lubricated type etc.)
3. The materials of parts and sizes of flanges can be reasonably configured according the actual operating condition of the requirements of the customers, so as to meet various needs of engineering.
4. Driving manner: Wrench, Worm, Worm gear pneumatic, electric- actuated.



Description

Its sealing is realized by the sealing face around the sleeve.

Structural formation: BC

Driving manner: Wrench wheel, worm & worm gear, pneumatic, electric-actuated

Design standard: API599, API6D

Face to face: ASME B16.10

Flange ends: ASME B16.5

Test & inspection: API598, API6D

Size: DN50-350/2"-24"

Nominal pressure: 150-900Lb

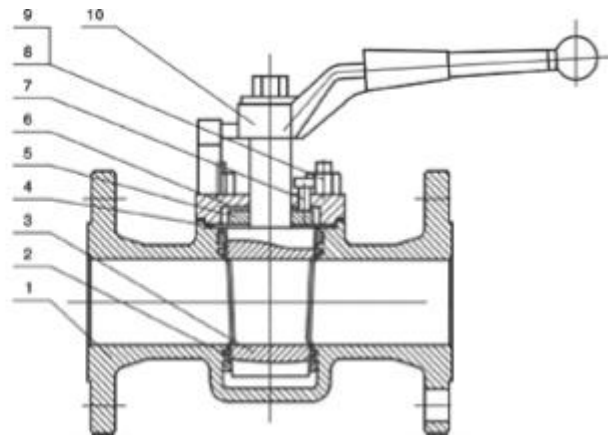
Main material: WCB, WC1, WC6, WC9, C5, CF8, CF8M, CF3M.

Medium: Water, Gas, Oil etc.



Brief instruction:

ANSI Plug Valve is applicable to the cutting and connection of pipelines medium that are used in various industries such as petroleum, chemical industry, pharmacy, chemical fertilizer, power industry etc under nominal pressure of CLASS 150-900LBS, and working temperature of -29~180°C.





Office Address
 SAIF ZONE | PO Box 8047
 Sharjah, UAE.
 Skype: Unitech Trading (unitechtrading)
 Tel / Fax 00971-6-544-8882
 Email <mailto:info@unitechtrading.com>

PRODUCT - PLUG VALVE

ANSI PLUG VALVE

No.	Part name	material
1	Body	ASTM A216 WCB
		ASTM A217-WC1,WC6,WC9,C5
		ASTM A351-CF8,CF8M,CF3,CF3M
2	Sleeve	PTFE
3	Plug	ASTM A182-Gr,F6a,ASTM A182-F22
		ASTM A182-F304,F316,F321,F304L,F316L
4	Gasket	Flexible graphite + stainless steel, PTFE
5	Adjusting gasket	ASTM A182-Gr,F6a,ASTM A182-F22
		ASTM A182-F304,F316,F321,F304L,F316L
6	Cover	ASTM A216 WCB
		ASTM A217-WC1,WC6,WC9,C5
		ASTM A351-CF8,CF8M,CF3,CF3M
7	Adjusting bolt	ASTM A193-B7, A320-B8, A193-B8M
8	Net	ASTM A194-2H, A194-8, A194-8M
9	Bolt	ASTM A193-B7, A320-B8, A193-B8M
10	wrench	ASTM A105-WCB

Feature:

The product has reasonable structure, reliable sealing, excellent performance and beautiful appearance. Its sealing is realized by the sealing face around the sleeve. It has unique 360 degree metal edge for protection and fixing of the sleeve.

There is no cavity in the valve for accumulation of medium.

Metal edge provides the function of self-cleaning when the plug is rotated, applicable to the operation condition that is glutinous and apt to smudge.

Its characteristic double-direction flow makes installation and use more convenient.

6. The materials of the parts and sizes of flanges can be reasonably configured according to the actual operation condition of the requirements of the customers, so as to meet the various needs of engineering.

PRODUCT - PLUG VALVE

ANSI PLUG VALVE

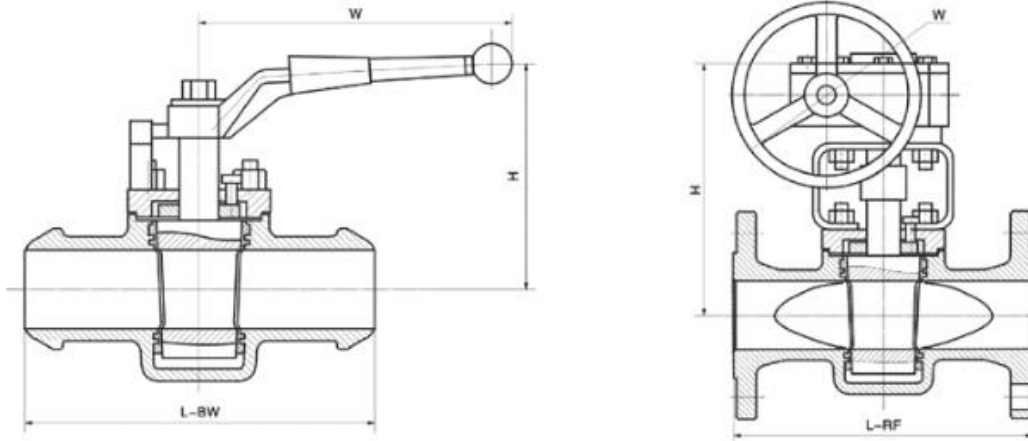
Executive standard

Structural formation	BC
Driving manner	worm & worm gear, pneumatic, electric-actuated , Wrench wheel
Design standard	API599, API6D
Face to face	ASME B16.10
Flange end	ASME B16.5
Test & inspection	API598, API6D

The size of serial valve connecting flange can be designed according to customers requirement.

Nominal pressure(LB)	Shell test(M P a)	Sealing test(M P a)	Suitable temp	Suitable medium
150	3.0	2.2	-29~180 °C	Water, oil & gas
300	7.5	5.5		
600	15.0	11.0		
900	22.5	16.5		

Main external and connection dimension



model		KQAX43-150LB														
pressure		150LB														
size	mm	15	20	25	32	40	50	65	80	100	125	150	200	250	300	350
	in	1/2	3/4	1	1 1/4	1 1/2	2	2 1/2	3	4	5	6	8	10	12	14
L		108	117	127	140	165	178	190	203	229	254	267	292	330	356	381
H		110	115	115	135	140	150	165	180	380	460	520	580	620	680	760
W		175	175	175	220	280	305	350	405	300	300	320	320	350	380	450
Weight		8.5	9.5	10.5	12	14	18	22	26	40	60	70	130	219	381	570
note: 4" or above with worm gear																



Office Address
 SAIF ZONE | PO Box 8047
 Sharjah, UAE.
 Skype: Unitech Trading (unitechtrading)
 Tel / Fax 00971-6-544-8882
 Email <mailto:info@unitechtrading.com>

PRODUCT - PLUG VALVE

ANSI PLUG VALVE

model		KQAX43-300LB														
pressure		300LB														
size	mm	15	20	25	32	40	50	65	80	100	125	150	200	250	300	350
	in	1/2	3/4	1	1 1/4	1 1/2	2	2 1/2	3	4	5	6	8	10	12	14
L		140	152	165	178	190	216	241	283	305	381	403	419	457	502	762
H		110	115	115	135	140	150	165	180	380	460	520	580	620	680	760
W		175	175	175	220	280	305	350	405	300	300	320	320	350	380	450
Weight		9.5	10.5	12	14	16	20	24	29	53	75	85	185	230	390	550
note: 4" or above with worm gear																



Office Address
SAIF ZONE | PO Box 8047
Sharjah, UAE.
Skype: Unitech Trading (unitechtrading)
Tel / Fax 00971-6-544-8882
Email <mailto:info@unitechtrading.com>

PRODUCT - STRAINER

BACKFLOW PREVENTER



Description

The valve is new and high quality backflow preventer, importing abroad advance technology. This avoids the risk of any contamination from a property flowing back through connections to the water supply system.

Nominal Pressure: 1.6MPa

Sizes:DN50-600



Description

The strainer may be used on all types of pipelines to collect granulated foreign substances and contaminants collected. It can improve the clearance in the medium, and prolong the life of valves and other equipments. It is suitable for wafer, petroleum and steam.

Mail part & material

Body: gray cast iron, cast iron, ductile iron

Filter: stainless steel

Stretchy connection: carbon steel with zinc coated

O-ring: NBR

Technical Specification

Nominal diameter:50-400mm

Nominal pressure:1.0/1.6/2.5Mpa



Office Address
SAIF ZONE | PO Box 8047
Sharjah, UAE.
Skype: Unitech Trading (unitechtrading)
Tel / Fax 00971-6-544-8882
Email <mailto:info@unitechtrading.com>

PRODUCT - STRAINER

CAST IRON STRAINER



Description

The strainer may be used on all types of pipelines to collect granulated foreign substances and contaminants collected. It can improve the clearance in the medium, and prolong the life of valves and other equipments. It is suitable for water, petroleum and steam.

Standard:

End Flange Dimensions: ANSI B16.1

Wall thickness: ANSI B16.1

Working Pressure:

2" to 12" 125psi Steam, Basic Rating

200psi Cold Working Pressure

14" to 18" 100psi Steam, Basic Rating

150psi Cold Working Pressure

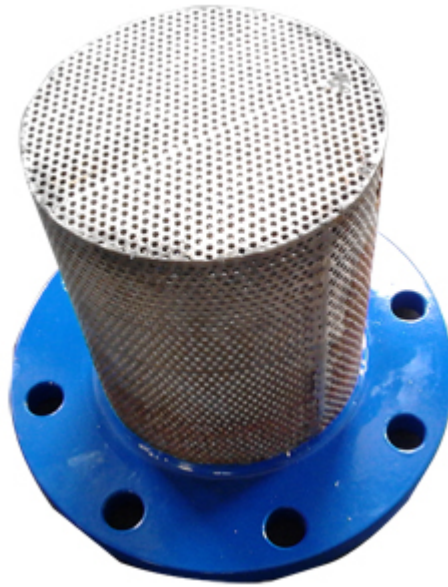


Description

Foot valve is a kind of energy-saving valve to prevent medium in the pipe flow back to water source. There are many inlet holes and reinforcing ribs in the valve cover, so the pipe will not be easily clogged up. Moreover, Strainer improves the clearance in the medium, and prolong the life of valves and other equipments. So Foot Valve with Strainer is good choice for water supply.

Nominal Pressure(MPa): 1.0, 1.6

Sizes: DN50-300



Inlet filter made by steel flange add stainless steel filter. It can work in tough medium conditions. The SS304 can handle corrosive effects of the medium and perform a durable cycle. It can use different mesh size for different need.



Description

Straight Flow Strainer is mainly installed inlet of water meter or other equipments, which can improve the clearance in the medium, and prolong the life of valves and other equipments.

Feature:

- Quick open cover
- Straight through flow design
- Low pressure loss
- Quick and easy to service
- Nominal Pressure: 1.0~1.6 MPa
- Sizes: DN50-200



Brief introduction :

The strainer may be used on all types of pipelines to collect granulated foreign substances and contaminants collected. It can improve the clearance in the medium, and prolong the life of valves and other equipments. It is suitable for water, petroleum and steam.

Material & material

Body: gray cast iron, cast iron, ductile iron

Filter: stainless steel

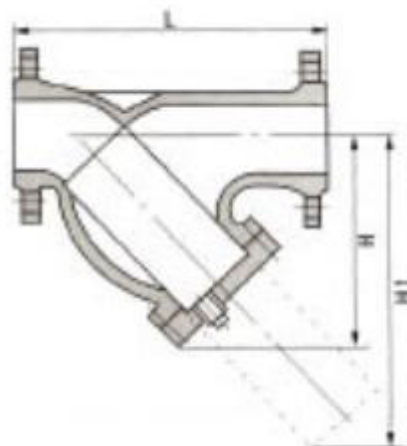
O-ring: NBR

Technical Specification

-Nominal diameter : 65~500mm

-Nominal pressure : 1.0/1.6/2.5Mpa

Main external and connection dimension





Office Address
 SAIF ZONE | PO Box 8047
 Sharjah, UAE.
 Skype: Unitech Trading (unitechtrading)
 Tel / Fax 00971-6-544-8882
 Email <mailto:info@unitechtrading.com>

PRODUCT - STRAINER

Y STRAINER

SG41H-10/SG41H-16/SG41H-25											mm	
DN	65	80	100	125	150	200	250	300	350	400	450	500
L	250	280	350	400	440	500	580	670	780	850	850	1000
H	198	210	250	305	358	450	503	578	598	618	693	765
H1	270	295	344	422	485	602	710	815	844	872	978	1080



Description

Mainly used for urban water supply network and all kinds of user's pipelines. It can strictly prevent pollution flowing back.

- 1) Nominal pressure: PN1.6MPa
- 2) Nominal diameter: DN50-600mm
- 3) Attended mode: Flange ends
- 4) Working temperature $\leq 120^{\circ}\text{C}$



Description

Main part & material

Body: gray cast iron, cast iron, ductile iron

Filter: stainless steel

Stretchy connection: carbon steel with zinc coated

O-ring: NBR

Technical Specification

Nominal diameter: 50~400mm

Nominal pressure: 1.0/1.6/2.5Mpa



Description

The strainer may be used on all types of pipelines to collect granulated foreign substances and contaminants collected. It can improve the clearance in the medium, and prolong the life of valves and other equipments. It is suitable for wafer, petroleum and steam.

Material & material

Body: gray cast iron, cast iron, ductile iron

Filter: stainless steel

Stretchy connection: carbon steel with zinc coated

O-ring: NBR

Technical Specification

Nominal diameter: 50~400mm

Nominal pressure: 1.0/1.6/2.5Mpa