



Brief introduction:

The series of gate valves include cast steel gate valve and forged steel gate valve. They are designed and manufactured according to ANSI B16.34. With solid wedge and flexible wedge, so it can be used for different pressures. Gate valves have back seal. Back seal of forged-steel gate valve is weld with stainless steel. So it has perfect sealing. Its maintenance is convenient. Widely used in petroleum, chemistry, water treatment industries.

Features:

- "H" type wedge:

Gate valve has "H" type , flexible single wedge. It can compensate the distortion of body. So it has reliable sealing and prevent wedge against difficult operation because of overload. It is suitable to steam and other high temperature medium.

- Full port design:

Gate valve has full port. So it is convenient to clear pipeline. - Changeable seat:

Seat and body is connected with thread. So seat can be dismantled and changed, It is convenient to maintenance.



Office Address
SAIF ZONE | PO Box 8047
Sharjah, UAE.
Skype: Unitech Trading (unitechtrading)
Tel / Fax 00971-6-544-8882
Email <mailto:info@unitechtrading.com>

PRODUCT - GATE VALVE

ANSI Gate Valve (Cast Steel)

- Precise design

Design the body and bonnet according to precise calculation. body and bonnet have high strength , rigid and flow ability

	Item Name of Parts	Material
1	Body	WCB, C F8
2	Seat	STEEL 25+F211 or CF8
3	Wedge	WCB(Precise cast)+F321
4	Stem	1Cr13 , 2Cr13
5	Gasket	Graphite+1Cr18Ni9Ti
6	Bonnet	WCB,CF8
7	Packing	Flexible Graphite
8	Stem Nut	ASTM A349 GR D2
9	Hand Wheel	KTH300-8

Technical Specification:

- Nominal diameter: 2"-24"
- Applicable Temperature: -29°C~425°C (steel) -40°C~-550°C (stainless steel)
- Nominal pressure: 150Lb 300Lb 600Lb 900Lb 1500Lb
- Applicable Medium: water, gas, oil and other causticity medium.

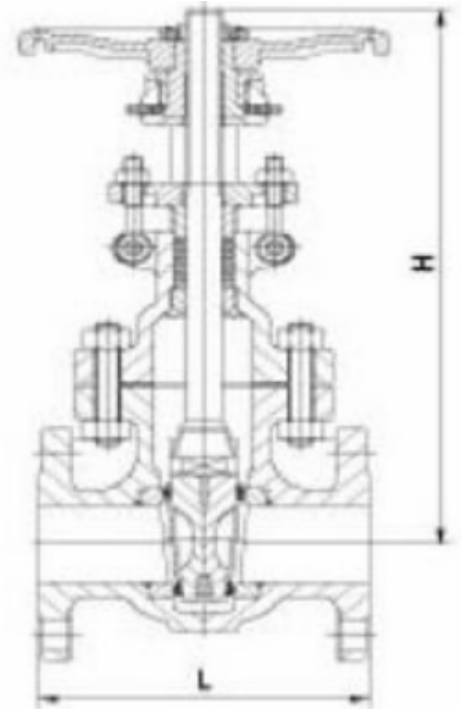
Applications Standard:

- Manufacture standard : ANSI B16.34
- Face to face dimension: ANSI B 16.10
- Flange dimension: ANSI B 16.5.MSS-SP-44
- Test: API 598. API 6D

PRODUCT - GATE VALVE

ANSI Gate Valve (Cast Steel)

Main external and connection dimension



	CLASS 150												
size(in)	2"	2-1/2"	3"	4"	6"	8"	10"	12"	14"	16"	18"	20"	24"
L,RF(mm)	178	191	203	229	267	292	330	356	381	406	432	457	508
L1-BW(mm)	216	241	283	305	403	419	457	502	572	610	660	711	813
L2-RTJ(mm)	191	203	216	241	279	305	343	368	394	419	445	470	521
H(mm)	400	490	510	585	795	1015	1230	1465	1755	2030	2210	2510	2880
K(mm)	200	200	250	300	350	350	400	450	500	500	600	750	750



Office Address
 SAIF ZONE | PO Box 8047
 Sharjah, UAE.
 Skype: Unitech Trading (unitechtrading)
 Tel / Fax 00971-6-544-8882
 Email <mailto:info@unitechtrading.com>

PRODUCT - GATE VALVE

ANSI Gate Valve (Cast Steel)

CLASS 300													
size(in)	2"	2-1/2"	3"	4"	6"	8"	10"	12"	14"	16"	18"	20"	24"
L,RF(mm)	216	241	283	305	403	419	457	502	762	838	914	991	1143
L1-BW(mm)	216	241	283	305	403	419	457	502	762	838	914	991	1143
L2-RTJ(mm)	232	257	298	321	419	435	473	518	778	854	930	1010	1165
H(mm)	470	525	533	610	845	1050	1295	1600	1830	2035	2195	2470	2900
K(mm)	200	200	250	300	350	350	400	450	500	500	600	750	750

CLASS 600													
size(in)	2"	2-1/2"	3"	4"	6"	8"	10"	12"	14"	16"	18"	20"	24"
L,RF(mm)	292	330	356	432	559	660	787	838	889	991	1092	1194	1397
L1-BW(mm)	292	330	356	432	559	660	787	838	889	991	1092	1194	1397
L2-RTJ(mm)	295	333	359	435	562	664	791	841	892	994	1095	1200	1407
H(mm)	495	550	615	735	1005	1245	1480	1730	1915	2050	2260	2620	2900
K(mm)	200	250	300	350	450	500	600	750	850	850	960	960	1000

CLASS 900													
size(in)	2"	2-1/2"	3"	4"	6"	8"	10"	12"	14"	16"	18"	20"	24"
L,RF(mm)	368	419	381	457	610	737	838	965	1029	1130	1219	1321	1549
L1-BW(mm)	368	419	381	457	610	737	838	965	1029	1130	1219	1321	1549
L2-RTJ(mm)	371	422	384	460	613	740	841	968	1038	1140	1232	1334	1568
H(mm)	590	700	740	870	1120	1390	1592	1765	2025	2175	2510	2750	3240
K(mm)	250	300	350	450	500	600	750	850	850	960	960	1000	1000



Office Address
 SAIF ZONE | PO Box 8047
 Sharjah, UAE.
 Skype: Unitech Trading (unitechtrading)
 Tel / Fax 00971-6-544-8882
 Email <mailto:info@unitechtrading.com>

PRODUCT - GATE VALVE

ANSI Gate Valve (Cast Steel)

	CLASS 1500												
size(in)	2"	2-1/2"	3"	4"	6"	8"	10"	12"	14"	16"	18"	20"	24"
L,RF(mm)	368	419	470	546	705	832	991	1130	1257	1384	1537	1664	1943
L1-BW(mm)	368	419	470	546	705	832	991	1130	1257	1384	1537	1664	1943
L2-RTJ(mm)	371	422	473	549	711	841	1000	1146	1276	1407	1559	1686	1972
H(mm)	615	705	750	927	1190	1525	1855	2185	2215	2380	2580	2195	3400
K(mm)	250	350	350	450	600	750	850	850	960	960	1000	1000	1250



Product Standard

1. Design & Production: AWWA C509
2. Flanged Connection: ANSI B16.10
3. Thread(NPT) Connection: ASME B1.20.1
4. Testing & Inspection: AWWA C509
5. Suitable Medium: water and neutral liquid
6. Suitable Temperature: NBR \leq 80°C, EPDM \leq 120°C
7. Operator: Hand wheel, Square Nut, Extension stem, Gear operated

(WATERWORKS AND WASTE WATER)

Valves are manufactured and tested in according to AWWA C509, BS563:86-A,B ,DIN 3352-4 ISO 7259-A-B, TIS 1413-2540 etc. Face to face comply with ANSI B16.10, BS 5163, DIN 3202 F4 & F5, ISO 5752 Series 3/14/15/19 Rated pressure PN10, 16, 25, straight through bore type non rising stem and rising stem OS&Y. Cost saving feature is replaceable wedge without taking the valve out from the pipeline. Valves are designed especially for potable water, waste water and suitable for all types of water and air.

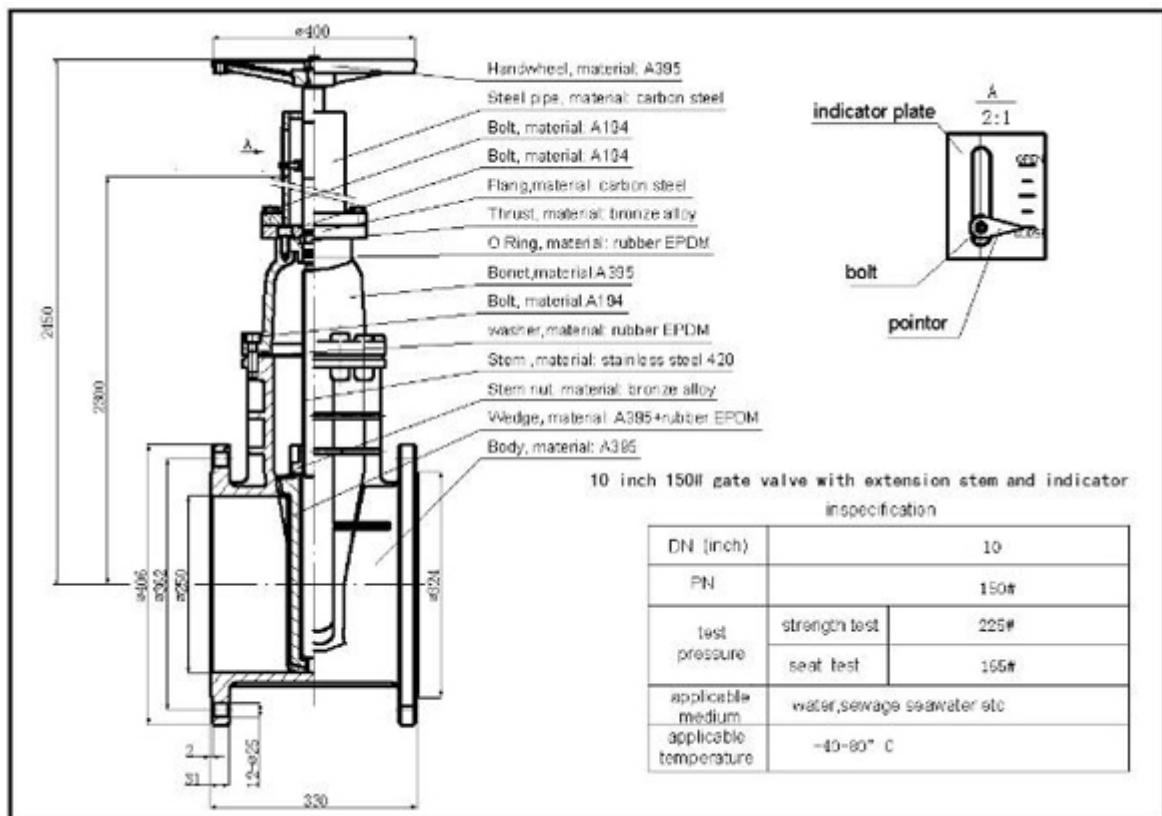
AWWA Gate Valves offer rugged construction, easy operation, long service life and economical maintenance. They are double disc, parallel seat valves meeting or exceeding all requirements of AWWA C500 specifications. Component parts are constructed of heavy, rugged proportions for extra strength to withstand pipe strain and possible shifting in underground service. Clean, simple internal construction assures long service and easy maintenance. All joint ends and all commonly used accessories and operating devices can be furnished upon request.

PRODUCT - GATE VALVE

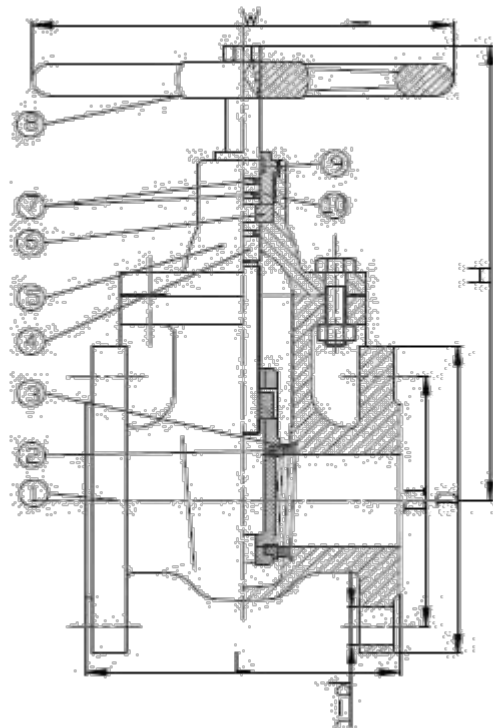
Buried Gate Valve



Buried gate valve with the extension stem, it can be used for underground valve.



The above for your reference, we can make the sizes according to your requirements.



PRODUCT - GATE VALVE

DIN F4 Gate Valve

PARTS AND MATERIAL:

NO.	PARTS NAME	MATERIALS
1	BODY	ASTM A126-B/A536, DIN GG25/GGG40
2	DISC FACE	BRONZE/BRONZE/STAINLESS STEEL
3	SEAT	BRONZE/BRONZE/STAINLESS STEEL
4	STEM	2CR13/BRASS
5	BONNET	ASTM A126-B/A536, DIN GG25/GGG40
6	METAL O-RING	CAST STEEL
7	O-RING	EPDM
8	HAND WHEEL	CAST IRON OR DUCTILE IRON
9	STEM PACKING	EPDM
10	STEM NUT	BRASS

OTHER MATERIALS ARE AVAILABLE UPON REQUEST.

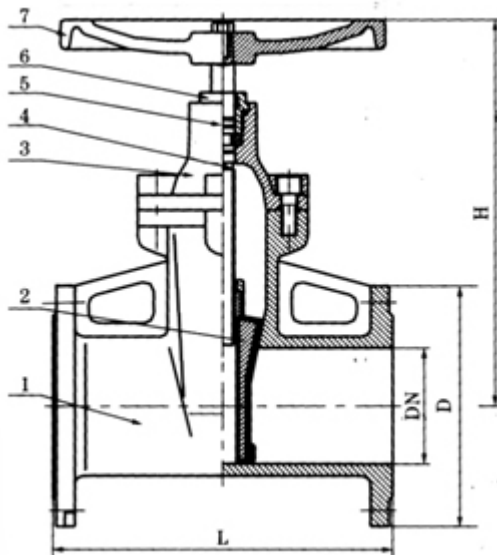
DIMENSIONS LIST(UNIT:MM):

DN	40	50	65	80	100	125	150	200	250	300	350	400	450	500	600
Size	1-1/2"	2"	2-1/2"	3"	4"	5"	6"	8"	10"	12"	14"	16"	15"	20"	24"
L	140	150	170	180	190	200	210	230	250	270	290	310	330	350	390
H	240	255	320	335	380	450	480	600	660	750	820	910	1000	1135	1250
PN10															
D	150	165	185	200	220	250	285	340	395	445	505	565	615	670	780
n	4	4	4	4	8	8	8	8	12	12	16	16	20	20	20
d	18	18	18	18	18	18	22	22	22	22	22	26	26	26	30
D1	110	125	145	160	180	210	240	295	350	400	460	515	565	620	725
PN16															
D	150	165	185	200	220	250	285	340	405	460	520	580	640	715	840
n	4	4	4	8	8	8	8	12	12	12	16	16	20	20	20
d	18	18	18	18	18	18	22	22	26	26	26	30	30	33	36
D1	110	125	145	160	180	210	240	295	355	410	470	525	585	650	770



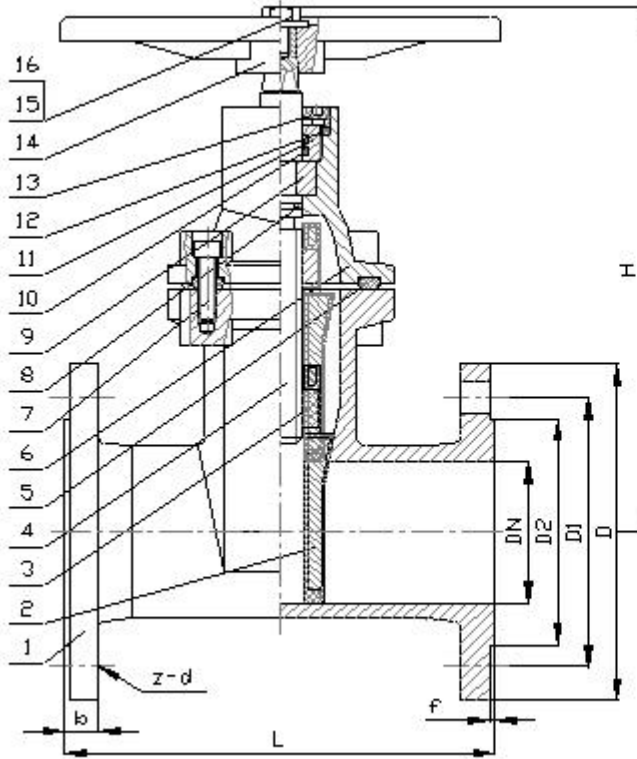
Application: sewage disposal, electric power, chemical, shipping, energy sources etc.

One design as follows for your reference. We can make as per your request.



PRODUCT - GATE VALVE

DIN F5 Gate Valve



DN	D	D1	D2	L	b	f	Z-d	H
ø40	ø150	ø110	ø84	240	19	3	4-ø19	203
ø50	ø165	ø125	ø99	250	19	3	4-ø19	223
ø65	ø185	ø145	ø118	270	19	3	4-ø19	248
ø80	ø200	ø160	ø132	280	19	3	8-ø19	274
ø100	ø220	ø180	ø156	300	19	3	8-ø19	307
ø125	ø250	ø210	ø184	325	19	3	8-ø19	362
ø150	ø285	ø240	ø211	350	19	3	8-ø23	400
ø200	ø340	ø295	ø266	400	20	3	12-ø23	487
ø250	ø400	ø355	ø319	450	22	3	12-ø28	573
ø300	ø455	ø410	ø370	500	24.5	4	12-ø28	661
ø350	ø520	ø470	ø429	550	26.5	4	16-ø28	733
ø400	ø580	ø525	ø480	600	28	4	16-ø31	810
ø450	ø640	ø585	ø548	650	30	4	20-ø31	889

NO	PART NAME	MATERIAL	STANDARD
1	BODY	DUCTILE IRON	GGG50
2	WEDGE	DUCTILE IRON/NBR	GGG50/NBR
3	STEM NUT	BRASS	
4	STEM	STAINLESS STEEL	13CR
5	GASKET	NBR	
6	BONNET	DUCTILE IRON	GGG50
7	BONNET BOLT	CARBON STEEL	A3
8	O-RING	NBR	
9	LOCATING RING	BRASS	
10	O-RING	NBR	
11	BONNET NUT	BRASS	
12	MINIPAD	TFL	
13	DUST RING	NBR	
14	WHEEL	CARBON STEEL	A3
15	WASHER	CARBON STEEL	A3
16	BOLT	CARBON STEEL	A3



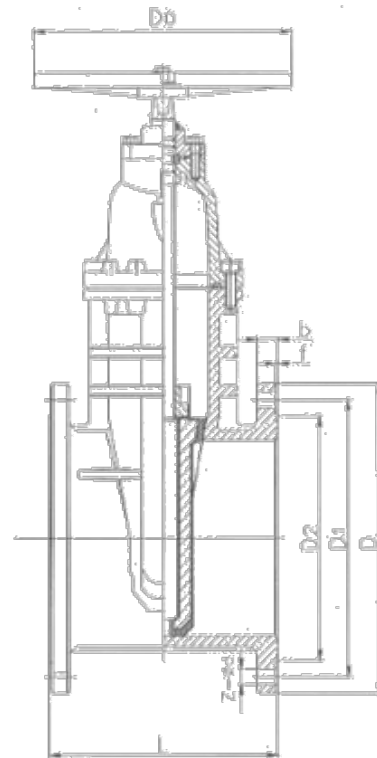
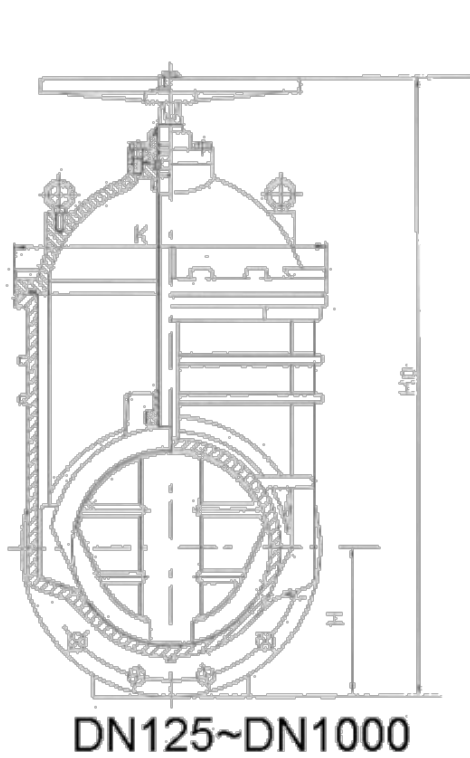
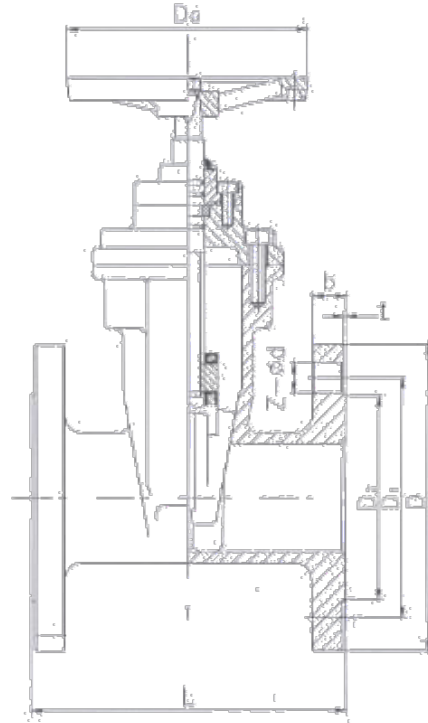
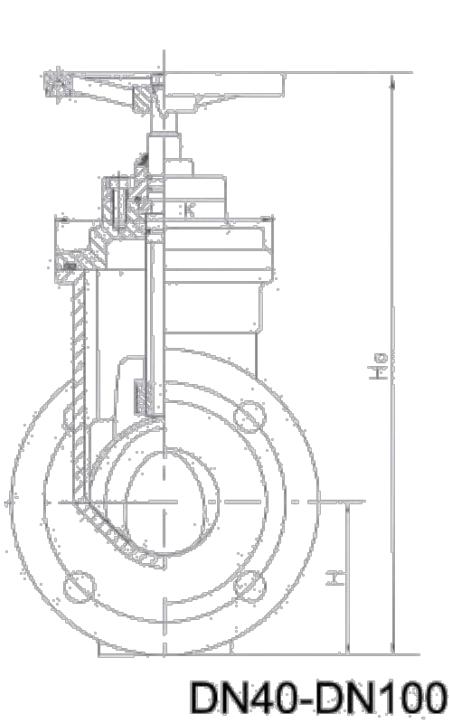
The ductile iron non rising stem gate valve, the whole body of strobe is treated with rubber up to good seal conquering bad seal, slack, rustiness and so on and saving installation space effectively. This valve widely applied in the liquid pipes for open or close fixed in such water, sewage disposal, electric power, energetics pipe, chemical, shipping, energy sources etc.

APPLICABLE STANDARDS

- American Standard
Design to ANSI/AWWA C509
Face to face dimension to ASME B16.10-2000(ISO 3 series)
Flange and drilling To SME/ANSI B16.42-1998
- British Standard
Design to BS5163、 BS5150
Face to face dimension to BS5163(ISO 3series ISO19 series)
Flange and drilling To BS4504 part1(EN1092)
- Germany Standard
Design to DIN3352
Face to face dimension to DIN3202(F4:ISO 14 series;F5: ISO 15 series)
Flange and drilling to BS EN1092

PRODUCT - GATE VALVE

Ductile Iron Non Rising Stem Gate Valve





Metal seat gate valve has been widely used In the fields of Petro-chem, Pharmacy and power etc., it functions by the way of open and close on the pipes of steam, water and oil etc., we can supply the pressure for PN10, PN16 PN25 etc.,

Standard.: BS5163, DIN3352 F4, DIN3352 F5.

Material:

Body/bonnet: grey iron, Ductile Iron

Disc: cast steel+ stainless steel, iron + brass, iron + bronze

Stem: 2Cr13, stainless steel

Seal ring: 2Cr13, brass, bronze

Hand wheel: grey iron ductile iron

Size: 2" to 64," DN50 ~DN1200

Structure: NRS, With By-Pass, Flange End



BRIEF INTRODUCTION :

The non-rising stem gate valve, the whole body of strobe is treated with rubber up to good seal conquering bad seal, slack, rustiness and so on and saving installation space effectively. This valve widely applied in the liquid pipes for open or close fixed in such water, sewage disposal, electric power, energetics pipe, chemical, shipping, energy sources etc.

FEATURES

⊙Shot-blasting

protective surface finished by shot-blasting and the surface is smooth and neatness.

⊙Flatting seat

Smooth continuous bore way without seating recess, it is not easy to get impurity piled up.

Making the liquid straightway.

⊙Treating with rubber

Both inner and outer are coated with advanced knowledge of rubber vulcanization to the elasticity of rubber, and making sure the exact geometry dimension. Rubber and ductile cast iron valve are together hardly. This can avoid fall-off for long-term use.

⊙Anti- corrosion

Both inner and outer are coated with non-toxic powder epoxy resin to strengthen the capacity of Corrosion resisting and raise the quality of water supply.

⊙Ruggedization

The older ductile iron valve is easy to rupture after being impacted by nonego. It can stop rupture depend on the good mechanics capability of ductile iron .

⊙Three “o” sealed ring

With the three “O” – rings, the leakage can be greatly reduced and the “O” – ring can be replaced under this condition with pressure and without stopping water. The thrust axletree reduces the frictional resistance and lowers the operational torque. And it can be switch seal



Office Address
SAIF ZONE | PO Box 8047
Sharjah, UAE.
Skype: Unitech Trading (unitechtrading)
Tel / Fax 00971-6-544-8882
Email <mailto:info@unitechtrading.com>

PRODUCT - GATE VALVE

Non Rising Stem Resilient Seat Gate Valve

ring without opening and closing.

⊙ Rigid round body

The body is founded minutely, the rigid geometry size ensure inner sealing of valve without any process.

⊙ Light weight

This body is made of ductile iron, it is 20%-30% lighter than the olds. Easy to fix and serve.

TECHNIC CRITERION

Nominal pressure: 1.0~1.6MPa

Applicable medium: water, sewage, oil, gas etc.

Applicable temperature: ≤120°C

Main material of valve: ductile iron、 iron.

APPLICABLE STANDARDS

⊙ American Standard

Design to ANSI/AWWA C509

Face to face dimension to ASME B16.10-2000(ISO 3 series)

Flange and drilling To SME/ANSI B16.42-1998

⊙ British Standard

Design to BS5163、 BS5150

Face to face dimension to BS5163(ISO 3series、 ISO19 series)

Flange and drilling To BS4504 part1(EN1092)

⊙ Germany Standard

Design to DIN3352

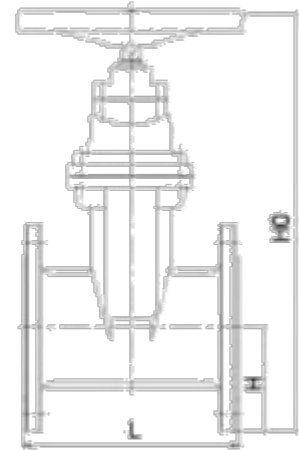
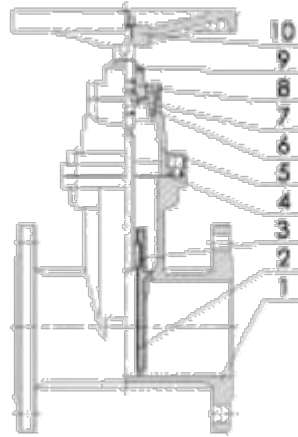
Face to face dimension to DIN3202(F4:ISO 14 series;F5: ISO 15 series)

Flange and drilling to BS EN1092

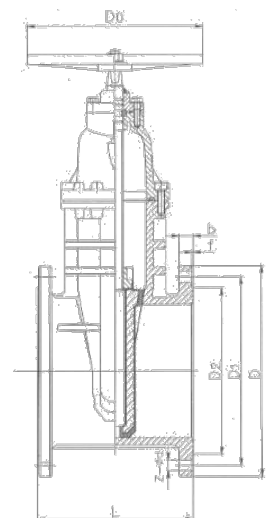
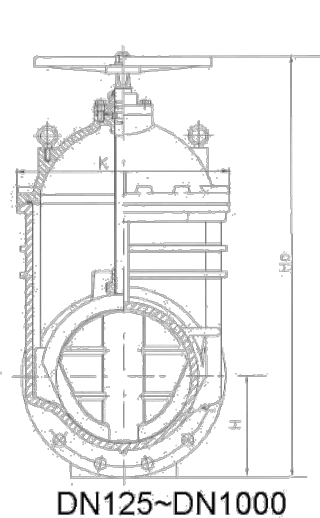
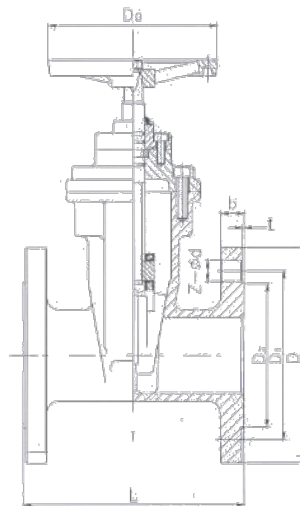
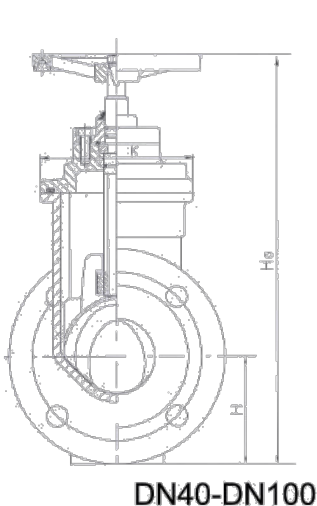
Item Name of part Material Spec

PRODUCT - GATE VALVE

Non Rising Stem Resilient Seat Gate Valve



NO	Part name	Material
1	Body	Ductile cast iron
2	Wedge	Ductile cast iron + EPDM
3	Stem nut	ZCuAl10Fe3 Gunmetal
4	Gasket	EPDM
5	Bonnet	Ductile cast iron
6	Gland gasket	ZCuAl10Fe3 Gunmetal
7	Stem	2Cr13 S.S.x 20Cr13
8	Gland	Ductile cast iron
9	Rubber wiper	EPDM/NBR
10	Hand wheel	Ductile cast iron



PRODUCT - GATE VALVE

Non Rising Stem Resilient Seat Gate Valve

Resilient seated non rising stem British standard, outline and connecting dimensions according to BS5163,(ISO 3 series);BS4504.3.2-89(10BAR);

Diameter DN		Outside dimension					Connection dimension					
mm	inch	L	K	H	H0	D0	D	D1	D2	b	t	Z-d
40	1-1/2"	165	104	75	310	160	150	110	84	19	3	19-Apr
50	2	178	125	83	320	160	165	125	99	19	3	19-Apr
65	2-1/2"	190	130	93	370	180	185	145	118	19	3	19-Apr
80	3	203	152	100	410	180	200	160	132	19	3	19-Aug
100	4	229	195	110	460	250	220	180	156	19	3	19-Aug
125	5	254	255	125	530	280	250	210	184	19	3	19-Aug
150	6	267	286	143	600	320	285	240	211	19	3	23-Aug
200	8	292	345	170	730	380	340	295	266	20	3	23-Aug
250	10	330	415	198	850	400	395	350	319	22	3	23-Dec
300	12	356	480	223	960	450	445	400	370	25	4	23-Dec
350	14	381	520	253	1070	450	505	460	429	25	4	16-23
400	16	406	576	283	1180	500	565	515	480	25	4	16-28
450	18	432	630	308	1300	500	615	565	530	26	4	20-28
500	20	457	695	335	1415	600	670	620	582	27	4	20-28
600	24	508	800	390	1630	600	780	725	682	30	5	20-31
700	28	610	910	448	1810	600	895	840	794	33	5	24-31
800	31-1/2"	660	1020	508	2040	600	1015	950	901	35	5	24-34
900	36	711	1145	558	2350	600	1115	1050	1001	38	5	28-34
1000	40	811	1260	615	2580	600	1230	1160	1112	40	5	28-37



Office Address
SAIF ZONE | PO Box 8047
Sharjah, UAE.
Skype: Unitech Trading (unitechtrading)
Tel / Fax 00971-6-544-8882
Email <mailto:info@unitechtrading.com>

PRODUCT - GATE VALVE

Non Rising Stem Resilient Seat Gate Valve

Resilient seated non rising stem British standard, outline and connecting dimensions according to BS5163,(ISO 3 series);BS4504.3.2-89(16BAR);

Resilient seated non rising stem Chinese standard, outline and connecting dimensions according to GB12221-89(3)(ISO 3 series);GB/T17241.6-98(16 bar)



BRIEF INTRODUCTION

Resilient-seated gate valve is our company cooperated with Shanghai University to research the high-quality green product, importing the advanced technology in Germany. And obtained the P&R&D item in No.3 in Shanghai, the new technology, new material, and new technics are applied that flat bottom type ,and static spray innocuity EP inside and outside surface of valve ,gate disc is covered with rubber etc. it is improve the seal capability, anti-corrosion, life-span and so on. This valve widely applied in the liquid pipes for open or close fixed in such table-water, sewage disposal, foodstuff and medicine, air-condition system, fire protection system, building etc.

FEATURES

Treating with rubber: Both inner and outer are coated with advanced knowledge of rubber vulcanization to ensure the elasticity of rubber and make sure the exact geometry dimension. Rubber and ductile cast iron valve are together hardly which can avoid fall-off for long-term use.

Anti- corrosion: Both inner and outer are coated with non-toxic powder epoxy resin to strengthen the capacity of Corrosion resisting and raise the quality of water supply.

Ruggedization: The older ductile iron valve is easy to rupture after being impacted by nonego. It can stoprupture depend on the good mechanics capability of ductile iron.

Three "O" sealed rings with the three "O"- rings, the leakage can be greatly reduced and the "O"- ring can bere placed under this condition with pressure and without stopping water. The thrust axle tree reduces the frictional resistance and lowers the operational torque. And it can be switch sealing without opening and closing.

PRODUCT - GATE VALVE

Rising Stem Resilient Seat Gate Valve

Rigid round body: The body is founded minutely, the rigid geometry size ensure inner sealing of valve without any process.

Light weight: This body is made of ductile iron; it is 20%-30% lighter than the olds. Easy to fix and service.

TECHNIC CRITERIA

Nominal pressure: 1.01.6MPa

Applicable medium: water sewage oil etc.

Applicable temperature: $\leq 120^{\circ}\text{C}$ Main material of valve: ductile Iron, iron.

APPLICABLE STANDARDS: American Standard Design to ANSI/AWWA C509

Face to face dimension to ASME B16.10-2000 (ISO 3 series)

Flange and drilling To SME/ANSI B16.42-1998 British Standard Design to BS5163BS5150

Face to face dimension to BS5163 (ISO 3seriesISO19 series)

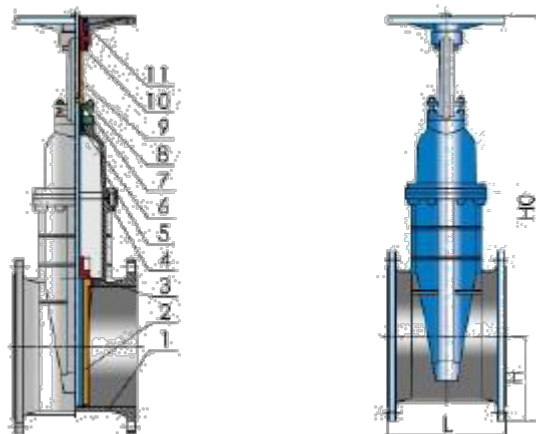
Flange and drilling To BS4504 part1 (EN1092) Germany Standard Design to DIN3352

Face to face dimension to DIN3202 (F4: ISO 14 series; F5: ISO 15 series)

Flange and drilling to BS EN1092Chinese Standard Design to CJ/T219-2005

Face to face dimension to GB12221 (3) (ISO14 series) GB12221 (15) (ISO 15series)

Flange and drilling to GB/T17241-1998





Office Address
SAIF ZONE | PO Box 8047
Sharjah, UAE.
Skype: Unitech Trading (unitechtrading)
Tel / Fax 00971-6-544-8882
Email <mailto:info@unitechtrading.com>

PRODUCT - GATE VALVE

Rising Stem Resilient Seat Gate Valve

NO	Part name	Material
1	Body	Ductile cast iron
2	Wedge	Ductile cast iron + EPDM
3	Stem nut	ZCuAl10Fe3 Gunmetal
4	Gasket	EPDM
5	Bonnet	Ductile cast iron
6	Packing	EPDM,NBR
7	Gland	Ductile cast iron
8	Stem	2Cr13S.S.x 20Cr13
9	Yoke	Ductile cast iron
10	Hand wheel nut	ZCuAl10Fe3 Gunmetal
11	Hand wheel	Ductile cast iron



Description:

Back seal of forged-steel gate valve is weld with stainless steel. So it has perfect sealing. Its maintenance is convenient. Widely used in petroleum, chemistry, water treatment, industries.

"H" type wedge: Gate valve has H type , flexible single wedge. It can compensate the distortion of body. So it has reliable sealing and prevent wedge against difficult operation because of overload. It is suitable for steam and other high temperature medium. Full port design: Gate valve has full port. So it is convenient to clear pipeline.

Changeable seat: Seat and body is connected with thread. So seat can be dismantled and changed, It is convenient to maintenance. Precise design Design the body and bonnet according to precise calculation. body and bonnet have high strength , rigid and flow ability.

Main part & material

Item Name of parts	Material	
1	Body	WCB, VF8
2	Seat	STEEL 25+F211 or CF8
3	Wedge	WCB(Precise cast)+F321
4	Stem	1Cr13 , 2Cr13
5	Gasket	Graphite+1Cr18Ni9Ti
6	Bonnet	WCB,CF8
7	Packing	Flexible graphite
8	Stem nut	ASTM A349 GR D2
9	Hand wheel	KTH300-8



Office Address
 SAIF ZONE | PO Box 8047
 Sharjah, UAE.
 Skype: Unitech Trading (unitechtrading)
 Tel / Fax 00971-6-544-8882
 Email <mailto:info@unitechtrading.com>

PRODUCT - GATE VALVE

Socket End Gate Valve

Technical Specification

- Nominal diameter: 2"-24"
- Applicable Temperature: -29 °C ~425 °C (steel)-40 °C ~-550 °C (stainless steel)
- Nominal pressure: 150Lb 300Lb 600Lb 900Lb 1500Lb
- Applicable Medium: water gas oil and other causticity medium.

Applications Standard

- Manufacture standard : ANSI B16.34
- Face to face dimension: ANSI B 16.10
- Flange dimension: ANSI B 16.5.MSS-SP-44
- Test: API 598. API 6D

Main external and connection dimension

CLASS150													
size(in)	2"	2-1/2"	3"	4"	6"	8"	10"	12"	14"	16"	18"	20"	24"
L,RF(mm)	178	191	203	229	267	292	330						
L1-BW(mm)	216	241	283	305	403	419	457	502	572	610	660	711	813
L2-RTJ(mm)	191	203	216	241	279	305	343	368	394	419	445	470	521
H(mm)	400	490	510	585	795	1015	1230	1465	1755	2030	2210	2510	2880
K(mm)	200	200	250	300	350	350	400	450	500	500	600	750	750



Office Address
SAIF ZONE | PO Box 8047
Sharjah, UAE.
Skype: Unitech Trading (unitechtrading)
Tel / Fax 00971-6-544-8882
Email <mailto:info@unitechtrading.com>

PRODUCT - GATE VALVE

Spigot End Gate Valve



Application: Water and sewage

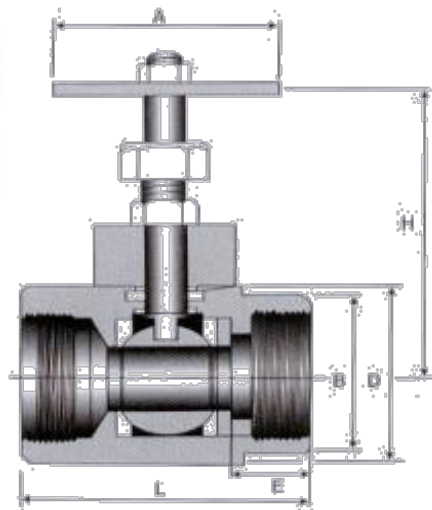
Suitable for replacement of flange valves F5 together with two flange adapters with flange adapter and/or socket pipes

Suitable for replacing old valves where cutting the pipe is necessary

Sturdy stem of stainless steel

Lockable bayonet connection for telescopic stem extension

Composite axial and radial sleeve bearing





Office Address
 SAIF ZONE | PO Box 8047
 Sharjah, UAE.
 Skype: Unitech Trading (unitechtrading)
 Tel / Fax 00971-6-544-8882
 Email <mailto:info@unitechtrading.com>

PRODUCT - GATE VALVE

Stainless Steel Gate Valve

DN	G	L	E	D	H	A	B
6	1/4"		15	23			20
10	3/8"		15	26			23
15	1/2"	55	17	31	94	70	28
20	3/4"	60	18	38	102	70	35
25	1"	66	20	46	114	80	42
32	1-1/4"	75.5	21.5	56	124	80	51
40	1-1/2"	85	23	63	152.5	100	59
50	2"	96	24.5	76	169.5	100	71

Specification

Nominal pressure(Mpa)	PN	1.5,2.6,4.0,5.4
Strength testing pressure(Mpa)	PT	2.4,3.6,6.0,9.6
Low pressure seal test(Mpa)		0.6
High pressure seal test(Mpa)		2.0,3.0,4.8,7.6
Applicable medium	water, oil, gas, nitric acid, acetic acid	
Applicable temperature	-40 ~ 180 °C	

Main part & material

Part name	Material
body	WCB,ZG1Cr18Ni9Ti,CF8,CF8M
Disc	1Cr18Ni9Ti 304,316
stem	1Cr18Ni9Ti 304,316
Seal ring	304,316(CF8,CF8M)
Packing	Polytetrafluoroethylene (PTFE)