



Brief introduction:

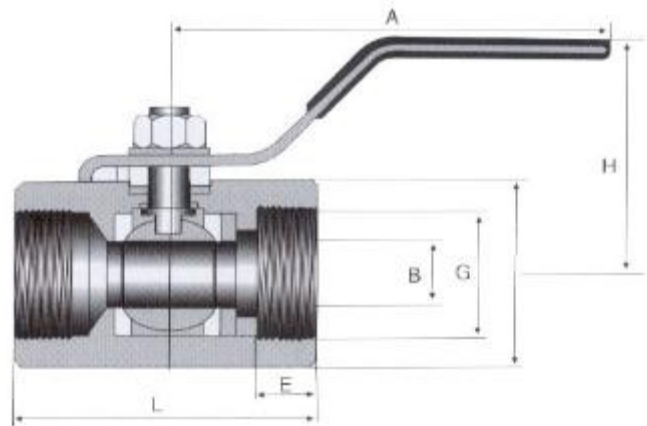
The ball valve is designed and manufactured according well to API 6D. Floating ball suitable for small caliber, and fixed ball for large caliber. It has fire protection structure and antistatic device. Widely used for petroleum, chemistry, water treatment industries.

Main part & material

Part name	Material
body	WCB,ZG1Cr18Ni9Ti,CF8
ball	1Cr18Ni9Ti 304,316
stem	1Cr18Ni9Ti 304,316
seal ring	Polytetrafluoroethylene (PTFE)
packing	Polytetrafluoroethylene (PTFE)

PRODUCT – BALL VALVE

1pc Type Ball Valve With Female Thread



Main outer size- mm

DN	G	B	L	E	H	A
6	1/4"	5	40	13	28	65
10	3/8"	8	45	13	30	65
15	1/2"	9.5	56	16	34	85
20	3/4"	12.5	60	18	40	95
25	1"	16	71	20	52	110
32	1-1/4"	20	78	21.5	62	140
40	1-1/2"	25	96	23	68	140
50	2"	32	101	24.5	75	155
65	2-1/2"	40	120	25	82	180

Technical Specification

Nominal pressure(Mpa)	PN	2.5,4.0,6.4
Strength testing pressure(Mpa)	PT	3.8,6.0,9.6
Low pressure seal test(Mpa)		0.6
High pressure seal test(Mpa)		3.0,4.8,7.6
Applicable medium	water, oil, gas, nitric acid, acetic acid	
Applicable temperature	-40 ~ 180 °C	



Office Address
SAIF ZONE | PO Box 8047
Sharjah, UAE.
Skype: Unitech Trading (unitechtrading)
Tel / Fax 00971-6-544-8882
Email <mailto:info@unitechtrading.com>

PRODUCT – BALL VALVE

1pc Type Ball Valve With Female Thread

Feature:

-Anti-blowout Structure of Valve Stem

When medium pass through the valve, the pressure in valve body may possibly push the stem out, or when the valve is in repair, if there is pressure in the middle cavity, the stem or medium seems to easily fly out upon disassembling the valve, which can cause injures to human beings, To prevent the possibilities, a dummy club is packing and

thrust bearing are burnt or packing is damaged due to other causes,the pressure of medium in valve body will make the dummy club of valve stem in close contact with the upper seal face of valve body. Thus to prevent medium leaking out from the damage packing position.

-Reliable Seal Structure

The seat is made of PTFE. Because the contact area between seat and the ball will becomes more high with rising of pressure of the middle cavity, Small Resistance ball valve has the smallest resistance of all the valve, in the case of reduced bore, the resistance is little still.

-Prompt switch

The ball valve circumrotates in 90°, it work quickly to open or close.



Brief introduction :

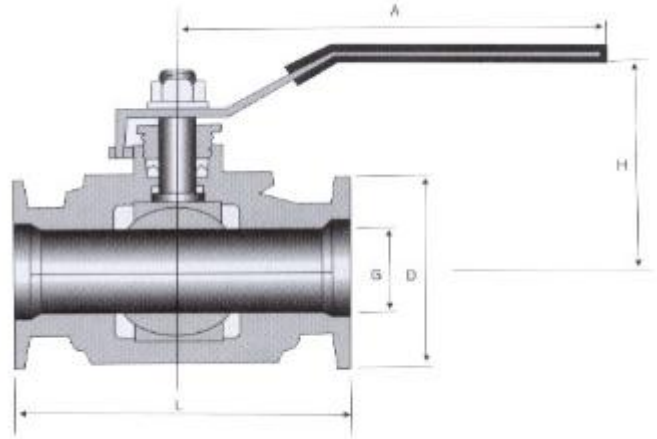
The ball valve is designed and manufactured according well to API 6D. Floating ball for small caliber, and fixed ball for large caliber. It has fire protection structure and antistatic device. Widely used for petroleum, chemical ,water treatment industries.

Main part & material

Part name	Material
body	WCB,ZG1Cr18Ni9Ti,CF8
ball	1Cr18Ni9Ti 304,316
stem	1Cr18Ni9Ti 304,316
seal ring	Polytetrafluoroethylene (PTFE)
packing	Polytetrafluoroethylene (PTFE)

PRODUCT – BALL VALVE

2pc Ready-Package Ball Valve



Main outer size

mm

DN	G	D	L	H	A
15	1/2"	34	95	68	125
20	3/4"	50.5	105	70	125
25	1"	50.5	115	80	145
32	1-1/4"	50.5	125	84	145
40	1-1/2"	50.5	135	93	205
50	2"	64	150	100	205
65	2-1/2"	77.5	190	142	250
80	3"	91	220	155	250
90	3-1/2"	106			
100	4"	119			

Specification

Nominal pressure(Mpa)	PN	2.5,4.0,6.4
Strength testing pressure(Mpa)	PT	3.8,6.0,9.6
Low pressure seal test(Mpa)		0.6
High pressure seal test(Mpa)		3.0,4.8,7.6
Applicable medium	water, oil, gas, nitric acid, acetic acid	
Applicable temperature	-40 ~ 180 °C	



Office Address
SAIF ZONE | PO Box 8047
Sharjah, UAE.
Skype: Unitech Trading (unitechtrading)
Tel / Fax 00971-6-544-8882
Email <mailto:info@unitechtrading.com>

PRODUCT – BALL VALVE

2pc Ready-Package Ball Valve

Feature:

-Anti-blowout Structure of Valve Stem

When medium pass through the valve, the pressure in valve body may possibly push the stem out, or when the valve is in repair, if there is pressure in the middle cavity, the stem or medium seems to easily fly out upon disassembling the valve, which can cause injures to human

beings, To prevent the possibilities, a dummy club is packing and thrust bearing are burnt or packing is damaged due to other causes, the pressure of medium in valve body will make the dummy club of valve stem in close contact with the upper seal face of valve body. Thus

to prevent medium leaking out from the damage packing position.

-Reliable Seal Structure

The seat is made of PTFE. Because the contact area between seat and the ball will becomes more high with rising of pressure of the middle cavity, Small Resistance ball valve has the smallest resistance of all the valve, in the case of reduced bore, the resistance is little still.

-Prompt switch

The ball valve circumrotates in 90°, It work quickly to open or close.



Brief introduction :

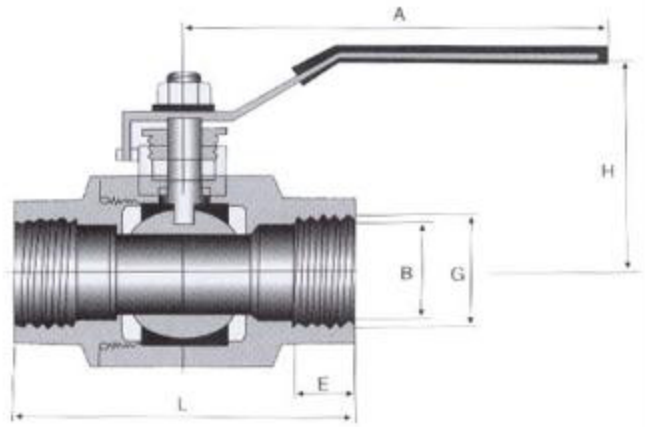
The ball valve is designed and manufactured according well to API 6D. Floating ball when small caliber, and fixed ball when large caliber. It has fire protection structure and antistatic device. Widely used for petroleum, chemistry, water treatment industries.

Main part & material

Part name	Material
body	WCB,ZG1Cr18Ni9Ti,CF8
ball	1Cr18Ni9Ti 304,316
stem	1Cr18Ni9Ti 304,316
seal ring	Polytetrafluoroethylene (PTFE)
packing	Polytetrafluoroethylene (PTFE)

PRODUCT – BALL VALVE

2pc Type Ball Valve With Female Thread



DN	G	B	L	E	H	A
6	1/4"	8	54	11.5	52	105
10	3/8"	10	54	11.5	52	105
15	1/2"	15	62.5	14	65	130
20	3/4"	20	73.5	15	70	130
25	1"	25	86	15	78	150
32	1-1/4"	32	101	18	82	180
40	1-1/2"	38	110	19	90	200
50	2"	50	123	19	98	200
65	2-1/2"	64	165	23	140	240
80	3"	80	190	25	135	260

Specification

Nominal pressure(Mpa)	PN	2.5,4.0,6.4
Strength testing pressure(Mpa)	PT	3.8,6.0,9.6
Low pressure seal test(Mpa)		0.6
High pressure seal test(Mpa)		3.0,4.8,7.6
Applicable medium	water, oil, gas, nitric acid, acetic acid	
Applicable temperature	-40 ~ 180 °C	



Office Address
SAIF ZONE | PO Box 8047
Sharjah, UAE.
Skype: Unitech Trading (unitechtrading)
Tel / Fax 00971-6-544-8882
Email <mailto:info@unitechtrading.com>

PRODUCT – BALL VALVE

2pc Type Ball Valve With Female Thread

Feature:

-Anti-blowout Structure of Valve Stem

When medium pass through the valve, the pressure in valve body may possibly push the stem out, or when the valve is in repair, if there is pressure in the middle cavity, the stem or medium seems to easily fly out upon disassembling the valve, which can cause injures to human beings, To prevent the possibilities, a dummy club is packing and thrust bearing are burnt or packing is damaged due to other causes,the pressure of medium in valve body will make the dummy club of valve stem in close contact with the upper seal face of valve body. Thus to prevent medium leaking out from the damage packing position.

-Reliable Seal Structure

The seat is made of PTFE. Because the contact area between seat and the ball will becomes more high with rising of pressure of the middle cavity, Small Resistance ball valve has the smallest resistance of all the valve, in the case of reduced bore, the resistance is little still.

-Prompt switch

The ball valve circumrotates in 90°,It work quickly to open or close.



Brief introduction :

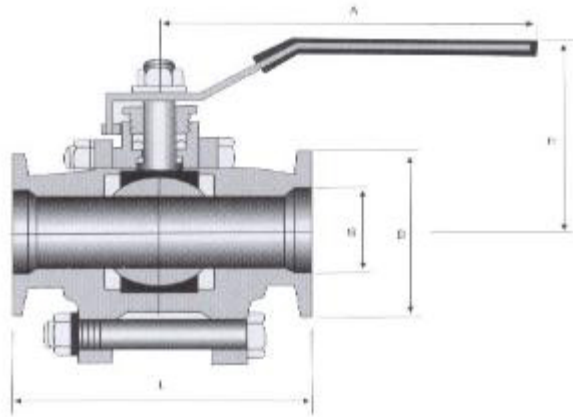
The ball valve is designed and manufactured according well to API 6D. Floating ball when small caliber, and fixed ball when large caliber. It has fire protection structure and antistatic device. Widely used for petroleum, chemistry, water treatment industries.

Main part & material

Part name	Material
body	WCB,ZG1Cr18Ni9Ti,CF8
ball	1Cr18Ni9Ti 304,316
stem	1Cr18Ni9Ti 304,316
seal ring	Polytetrafluoroethylene (PTFE)
packing	Polytetrafluoroethylene (PTFE)

PRODUCT – BALL VALVE

3pc Ready-Package Ball Valve



Main outer size mm

DN	G	D	L	H	A
15	1/2"	34	95	68	125
20	3/4"	50.5	105	70	125
25	1"	50.5	115	80	145
32	1-1/4"	50.5	125	84	145
40	1-1/2"	50.5	135	93	205
50	2"	64	150	100	205
65	2-1/2"	77.5	190	142	250
80	3"	91	220	155	250
90	3-1/2"	106			
100	4"	119			

Specification

Nominal pressure(Mpa)	PN	2.5,4.0,6.4
Strength testing pressure(Mpa)	PT	3.8,6.0,9.6
Low pressure seal test(Mpa)		0.6
High pressure seal test(Mpa)		3.0,4.8,7.6
Applicable medium	water, oil, gas, nitric acid, acetic acid	
Applicable temperature	-40 ~ 180 °C	



Office Address
SAIF ZONE | PO Box 8047
Sharjah, UAE.
Skype: Unitech Trading (unitechtrading)
Tel / Fax 00971-6-544-8882
Email <mailto:info@unitechtrading.com>

PRODUCT – BALL VALVE

3pc Ready-Package Ball Valve

Feature:

-Anti-blowout Structure of Valve Stem

When medium pass through the valve, the pressure in valve body may possibly push the stem out, or when the valve is in repair, if there is pressure in the middle cavity, the stem or medium seems to easily fly out upon disassembling the valve, which can cause injures to human

beings, To prevent the possibilities, a dummy club is packing and thrust bearing are burnt or packing is damaged due to other causes, the pressure of medium in valve body will make the dummy club of valve stem in close contact with the upper seal face of valve body. Thus

to prevent medium leaking out from the damage packing position.

-Reliable Seal Structure

The seat is made of PTFE. Because the contact area between seat and the ball will becomes more high with rising of pressure of the middle cavity, Small Resistance ball valve has the smallest resistance of all the valve, in the case of reduced bore, the resistance is little still.

-Prompt switch

The ball valve circumrotates in 90°, It work quickly to open or close.



Brief introduction :

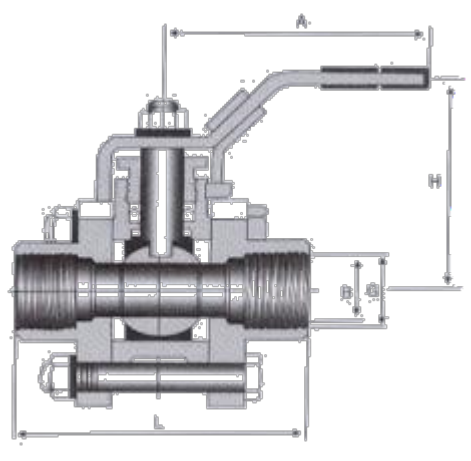
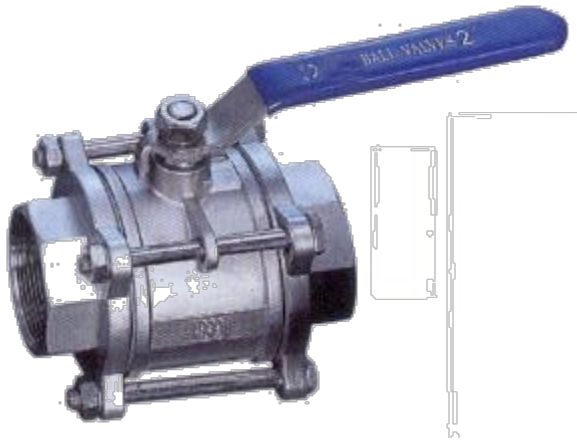
The ball valve is designed and manufactured according well to API 6D. Floating ball when small caliber, and fixed ball when large caliber. It has fire protection structure and antistatic device. Widely used for petroleum, chemistry, water treatment industries.

Main part & material

Part name	Material
body	WCB,ZG1Cr18Ni9Ti,CF8
ball	1Cr18Ni9Ti 304,316
stem	1Cr18Ni9Ti 304,316
seal ring	Polytetrafluoroethylene
packing	Polytetrafluoroethylene

PRODUCT – BALL VALVE

3pc Type Ball valve With Female Thread



Main outer size

mm

DN	G	B	L	H	A
6	1/4"	8	65	57	98
10	3/8"	10	65	57	98
15	1/2"	15	75	68	125
20	3/4"	20	85	70	125
25	1"	25	95	80	145
32	1-1/4"	32	110	84	145
40	1-1/2"	38	125	93	205
50	2"	50	150	100	205
65	2-1/2"	64	175	142	250
80	3"	76	216	155	265
100	4"	100	260	172	300

Specification

Nominal pressure(Mpa)	PN	2.5,4.0,6.4
Strength testing pressure(Mpa)	PT	3.8,6.0,9.6
Low pressure seal test(Mpa)		0.6
High pressure seal test(Mpa)		3.0,4.8,7.6
Applicable medium	water, oil, gas, nitric acid, acetic acid	
Applicable temperature	-40 ~ 180 °C	



Office Address
SAIF ZONE | PO Box 8047
Sharjah, UAE.
Skype: Unitech Trading (unitechtrading)
Tel / Fax 00971-6-544-8882
Email <mailto:info@unitechtrading.com>

PRODUCT – BALL VALVE

3pc Type Ball valve With Female Thread

Feature:

-Anti-blowout Structure of Valve Stem

When medium pass through the valve, the pressure in valve body may possibly push the stem out, or when the valve is in repair, if there is pressure in the middle cavity, the stem or medium seems to easily fly out upon disassembling the valve, which can cause injures to human

beings, To prevent the possibilities, a dummy club is packing and thrust bearing are burnt or packing is damaged due to other causes, the pressure of medium in valve body will make the dummy club of valve stem in close contact with the upper seal face of valve body. Thus

to prevent medium leaking out from the damage packing position.

-Reliable Seal Structure

The seat is made of PTFE. Because the contact area between seat and the ball will becomes more high with rising of pressure of the middle cavity, Small Resistance ball valve has the smallest resistance of all the valve, in the case of reduced bore, the resistance is little still.

-Prompt switch

The ball valve circumrotates in 90°, It work quickly to open or close.



Brief introduction :

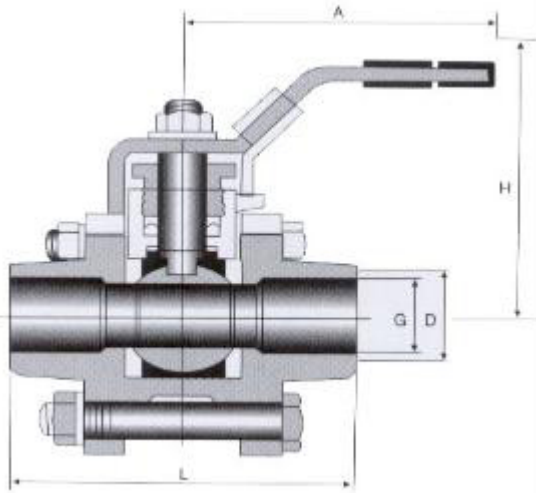
The ball valve is designed and manufactured according well to API 6D. Floating ball when small caliber, and fixed ball when large caliber. It has fire protection structure and antistatic device. Widely used for petroleum, chemistry, water treatment industries.

Main part & material

Part name	Material
body	WCB,ZG1Cr18Ni9Ti,CF8
ball	1Cr18Ni9Ti 304,316
stem	1Cr18Ni9Ti 304,316
seal ring	Polytetrafluoroethylene (PTFE)
packing	Polytetrafluoroethylene (PTFE)

PRODUCT – BALL VALVE

3PC WELDED BALL VALVE



DN	G	L	H	A
6	1/4"	65	52	105
10	3/8"	65	52	105
15	1/2"	75	65	130
20	3/4"	85	70	130
25	1"	95	80	150
32	1-1/4"	110	82	180
40	1-1/2"	125	90	200
50	2"	150	98	200
65	2-1/2"	175	140	240
80	3"	210	135	265
100	4"	260	155	300

Specification

Nominal pressure(Mpa)	PN	2.5,4.0,6.4
Strength testing pressure(Mpa)	PT	3.8,6.0,9.6
Low pressure seal test(Mpa)		0.6
High pressure seal test(Mpa)		3.0,4.8,7.6
Applicable medium	water, oil, gas, nitric acid, acetic acid	
Applicable temperature	-40 ~ 180 °C	

Feature:

-Anti-blowout Structure of Valve Stem

When medium pass through the valve, the pressure in valve body may possibly push the stem out, or when the valve is in repair, if there is pressure in the middle cavity, the stem or medium seems to easily fly out upon disassembling the valve,



Office Address
SAIF ZONE | PO Box 8047
Sharjah, UAE.
Skype: Unitech Trading (unitechtrading)
Tel / Fax 00971-6-544-8882
Email <mailto:info@unitechtrading.com>

PRODUCT – BALL VALVE

3PC WELDED BALL VALVE

which can cause injures to human beings, To prevent the possibilities, a dummy club is packing and thrust bearing are burnt or packing is damaged due to other causes, the pressure of medium in valve body will make the dummy club of valve stem in close contact with the upper seal face of valve body. Thus

to prevent medium leaking out from the damage packing position.

-Reliable Seal Structure

The seat is made of PTFE. Because the contact area between seat and the ball will becomes more high with rising of pressure of the middle cavity, Small Resistance ball valve has the smallest resistance of all the valve, in the case of reduced bore, the resistance is little still.

-Prompt switch

The ball valve circumrotates in 90°, which works quickly to open or close.



Brief introduction :

The ball valve is designed and manufactured according well to API 608. Floating ball for small caliber, and fixed ball for large caliber. It has fire protection structure and antistatic device. Widely used for petroleum 、 chemistry、 water treatment industries.

Features:

-Anti-blowout Structure of Valve Stem

When medium pass through the valve, the pressure in valve body may possibly push the stem out, or when the valve is in repair, if there is pressure in the middle cavity, the stem or medium seems to easily fly out upon disassembling the valve, which can cause injures to human

beings, To prevent the possibilities, a dummy club is packing and thrust bearing are burnt or packing is damaged due to other causes, the pressure of medium in valve body will make the dummy club of valve stem in close contact with the upper seal face of valve body. Thus

to prevent medium leaking out from the damage packing position.

-Reliable Seal Structure

The seat is made of PTFE. Because the contact area between seat and the ball will becomes more high with rising of pressure of the middle cavity, Small Resistance ball valve has the smallest resistance of all the valve, in the case of reduced bore, the

resistance is little still.

-Prompt switch

The ball valve circumrotates in 90°,It work quickly to open or close.

PRODUCT – BALL VALVE

ANSI BALL VALVE

MAIN PARTS

1	Body	WCB , CF8
2	Ball	304 , 316
3	Seat	Polytetrafluoroethylene
4	Packing	Graphite , Polytetrafluoroethylene
5	Stem	2Cr13
6	Lever	HT250, QT450

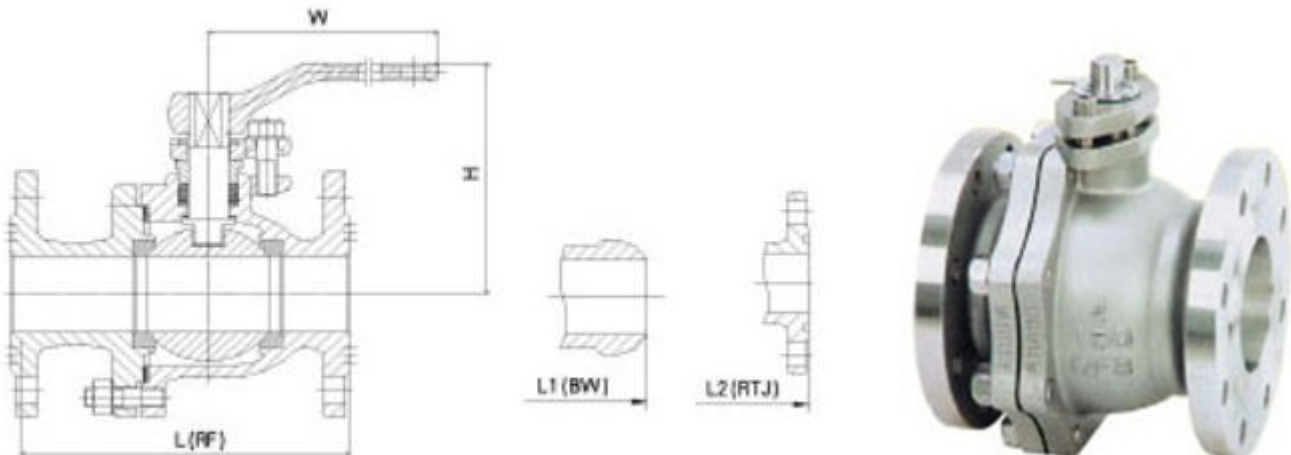
Technical Specification

- Nominal diameter: 1/2"-8"
- Applicable Temperature: -29°C~425°C (steel) -40°C~550°C(stainless steel)
- Nominal pressure: 150Lb 300Lb 600Lb
- Applicable Medium: water , gas, oil, and other causticity medium.

Applications Standard

- Manufacture standard : API 608
- Face to face dimension: ANSI B 16.10、 API 6D
- Flange dimension: ANSI B 16.5 MSS-SP-44
- Test: API 598 API 6D

Main external and connection dimension





Office Address
 SAIF ZONE | PO Box 8047
 Sharjah, UAE.
 Skype: Unitech Trading (unitechtrading)
 Tel / Fax 00971-6-544-8882
 Email <mailto:info@unitechtrading.com>

PRODUCT – BALL VALVE

ANSI BALL VALVE

CLASS150										
size(in)	1/2"	3/4"	1"	1-1/2"	2"	2-1/2"	3"	4"	6"	8"
L-RF(mm)	108	117	127	165	178	191	203	229	394	457
L1-BW(mm)	140	152	165	190	216	241	283	305	457	521
L2-RTJ(mm)	\	\	140	178	191	203	216	241	406	470
B	13	19	25	38	51	64	76	102	152	203
H	65	70	80	95	110	135	145	170	235	275
K	150	155	160	180	200	225	325	350	500	600
Weight(Kg)	3	4	5	8	12	21	26	43	80	155

CLASS300										
size(in)	1/2"	3/4"	1"	1-1/2"	2"	2-1/2"	3"	4"	6"	8"
L-RF(mm)	140	152	165	190	216	241	283	305	403	502
L1-BW(mm)	140	152	165	191	216	241	283	305	457	521
L2-RTJ(mm)	151	165	178	203	232	257	298	321	419	518
B(mm)	13	19	25	38	51	64	76	102	152	203
H(mm)	70	85	90	105	120	145	160	195	250	290
K(mm)	155	160	180	200	225	325	350	500	600	700
Weight(Kg)	3	5	7	13	15	28	32	55	105	170



Description

Eccentric Hemisphere Valve is to absorb the fixed home and abroad advanced technology and successfully developed new products that summed up the general ball valve, gate valves and other valves under the premise of the advantages and disadvantages, while the design and development of new products. This series ball valve is a traditional spiritual change in the crystallization of the rich, simple, reliable and effective sealing of the structure a way that it can not only better position to replace valve, but it can be applied to the use of the system. With top-mounted valve structure through the whole diameter, straight-through flow channel without flow resistance, flow resistance coefficient of zero, the water loss is zero, the valve sealing surface is not washed, open closed and sealed when the ball is not the core, erosion, and to meet the needs of different occasions. Long service life. The greatest feature of this valve is a pressure relief device system operating conditions, the valve is available online inspection and maintenance.

Widely used for oil exploration, food, medicine, petroleum, chemical, electric power, metallurgy, natural gas, steel, environmental protection, urban construction, environmental protection, paper and other medium.



Description

Applicable for the fluid containing fibers, the high-viscosity fluid containing solid particles, the special fluid control and flow regulating, it can also be used as the isolating valve for its reliable sealing. It is widely employed in chemical industry, paper-making, petroleum, electric power, etc. It has excellent performance.

Features:

1. Preeminent performance of adjustment control

The ball is of "V" pattern. At any position from full open to full close, it always keeps the standard geometry. The V curve of discharge characteristic is similar to the percentage curve, which may realize the precise control of the flow.

2. One piece body

One piece integral body, the strength is high, stress deformation resistance is strong, has no central flange, confinement reliability is improved, has no bending transition at the flow passage not accumulate, not block, has little influence upon the fluid.

3. Reliable seat sealing

The sealing surface build-up welding is handled by hard facing and employ the advanced seat grinding technology and gliding ball technology to make V type ball valve have reliable sealing performance.

4. Ball



Office Address
SAIF ZONE | PO Box 8047
Sharjah, UAE.
Skype: Unitech Trading (unitechtrading)
Tel / Fax 00971-6-544-8882
Email <mailto:info@unitechtrading.com>

PRODUCT – BALL VALVE

Flange V Type Ball Valve

The ball hard surface handled, both the two ends are V pattern, which is easy to precise control for flow also can realize the shearing action for the fluid containing cellulosic, the high-viscosity fluid containing solid particles when shutting.

5. Sealing packing

The stem adopts the adjustable jam type packing of V type PTFE or RPPL. Ensure that has reliable sealing and no out leakage under the middle and high temperature.

6. Driver

Complement using driver adopts the adjustable manual exerciser, pneumatic driver and adjustable electric driver



Description

Orbit ball valve is mainly used in pipeline and industry system and it adopts top entry design and on line maintenance function. It has a lot of advantages, such as small fluid resistance, simple structure, small volume, light weight, reliable sealing, convenience for operation and maintenance, open and close quickly, as well as start and close flexibly.

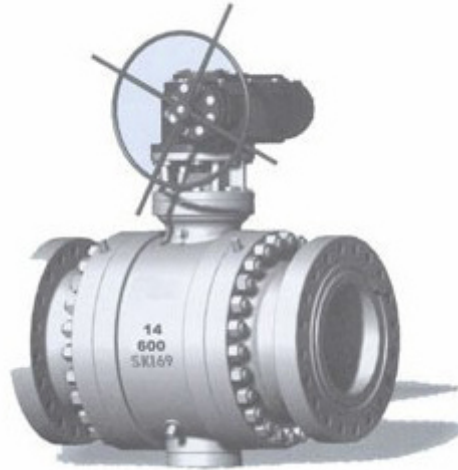
1. The structure of the single valve seat under the static state can ensure the tightness, reliability and zero leak of the two surface seal.
2. Top entrance design can make the system service in line.
3. The framework under the valve stem can supply a tight power of the mechanical wedge to ensure the continuous tight seal.
4. The opening and the closing course are completed in two segments, the rising and falling distance is short which is easy to operate.
5. In the course of the opening and closing operation, the sealed surface separates from touching completely without abrasion. The operating torsion is short and en-length valves' life.
6. The vacuum which is formed by the course of sphere spinning accelerates the velocity of flow of the medium in the channel and this course can achieve the clean out of the sealed surface.
7. The fire-safe design of the ball valve is according to the standard of API 607, API6FA and JB/F6899. When the soft seal burns, the fireproofing construction of the ball valve can prevent the medium from much leaking, stop the fire .
8. Operation can be Lever, Gearbox, Pneumatic, Electric Actuator.



Description

Top Entry Ball Valve is to absorb the fixed home and abroad advanced technology and successfully developed new products that summed up the general ball valve, gate valves and other valves under the premise of the advantages and disadvantages, while the design and development of new products. This series ball valve is a traditional spiritual change in the crystallization of the rich, simple, reliable and effective sealing of the structure a way that it can not only better position to replace valve, but it can be applied to the use of the system. With top-mounted valve structure through the whole diameter, straight-through flow channel without flow resistance, flow resistance coefficient of zero, the water loss is zero, the valve sealing surface is not washed, open closed and sealed when the ball is not the core, erosion, and to meet the needs of different occasions. Long service life. The greatest feature of this valve is a pressure relief device system operating conditions, the valve is available online inspection and maintenance.

Widely used for oil exploration, food, medicine, petroleum, chemical, electric power, metallurgy, natural gas, steel, environmental protection, urban construction, environmental protection, paper and other medium.



Description

Trunnion Mounted Ball Valves are a traditional spiritual change in the crystallization of the rich, simple, reliable and effective sealing of the structure a way that it can not only better position to replace valve, but it can be applied to the use of the system. With top-mounted valve structure through the whole diameter, straight-through flow channel without flow resistance, flow resistance coefficient of zero, the water loss is zero, the valve sealing surface is not washed, open closed and sealed when the ball is not the core, erosion, and to meet the needs of different occasions. Long service life. The greatest feature of this valve is a pressure relief device system operating conditions, the valve is available online inspection and maintenance.

Widely used for oil exploration, food, medicine, petroleum, chemical, electric power, metallurgy, natural gas, steel, environmental protection, urban construction, environmental protection, paper and other medium.