



Brief introduction :

The globe valve is designed reference to advanced internal and international standard. The body adopt sphere configuration, and it also has the feature of good appearance、 nice function and superior quality. Apply from CLASS150 to CLASS1500, and -29°C~425°C (steel) 、 -40°C~550°C(stainless steel)。 Using different material, the valve may works with different medium, such as water,oil,gas,steam,carbamide and other medium.

Features:

-Back seal

Back seal design to ensure dependable packing and sealing when valve is fully opened.(Replacement of packing under pressure is not recommended)

-Resist friction

Valve disc is given enough intensity and rigidity. Disc sealing surface may be built-up welded with satellite alloy inlaid or other material responding to the users' requests .

-Precise design :

Design the body and bonnet according to precise calculation. Body and bonnet have high strength , rigid and flow ability .

1	Body	WCB, CF8, CF8M
2	Seat	2Cr13、 25+ satellite
3	Disc	2Cr13, 304, 25+satelite
4	Stem	2Cr13, 304, 304L
5	Gasket	Graphite+304, Graphite+08 steel
6	Bonnet	WCB、 CF8、 CF8M
7	Packing	Graphite、 PTFE
8	Hand wheel	HT250、 QT450

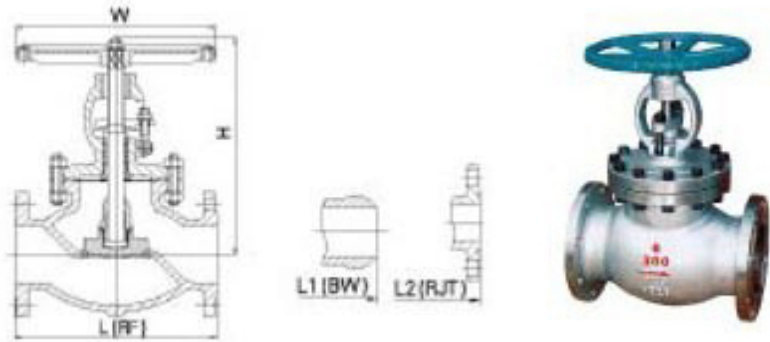
PRODUCT - GLOBE VALVE

ANSI GLOBE VALVE

Technical Specification

- Nominal diameter: 2"-12"
 - Applicable Temperature: -29°C~425°C (steel) -40°C~550°C (stainless steel)
 - Nominal pressure: 150Lb 300Lb 600Lb 900Lb 1500Lb
 - Applicable Medium: water 、 gas、 oil、 and other causticity medium.
- Applications Standard
- Manufacture standard : ANSI B16.34
 - Face to face dimension: ANSI B 16.10
 - Flange dimension: ANSI B 16.5
 - Test: API 598

Main external and connection dimension



	CLASS150								
size(in)	2"	2-1/2"	3"	4"	5"	6"	8"	10"	12"
L,L1-RF.BW(mm)	203	216	214	292	330	356	495	622	698
L2-RTJ(mm)	216	229	254	305	343	368	508	635	711
H(mm)	330	390	410	475	540	585	725	825	940
K(mm)	200	250	250	300	350	350	450	500	600
Weight(Kg)	23	29	40	59	95	115	178	268	385

	CLASS300								
size(in)	2"	2-1/2"	3"	4"	5"	6"	8"	10"	12"
L,L1-RF.BW(mm)	267	292	318	355	400	440	533	622	711
L2-RTJ(mm)	283	308	333	371	416	460	549	638	727
H(mm)	350	425	485	520	565	655	825	920	1155
K(mm)	200	250	300	300	350	350	500	600	700
Weight(Kg)	30	45	60	83	135	162	265	375	525



Office Address
 SAIF ZONE | PO Box 8047
 Sharjah, UAE.
 Skype: Unitech Trading (unitechtrading)
 Tel / Fax 00971-6-544-8882
 Email <mailto:info@unitechtrading.com>

PRODUCT - GLOBE VALVE

ANSI GLOBE VALVE

	CLASS600							
size(in)	2"	2-1/2"	3"	4"	5"	6"	8"	10"
L,L1-RF.BW(mm)	292	330	356	432	508	559	660	787
L2-RTJ(mm)	295	333	359	435	511	562	664	791
H(mm)	420	490	550	590	620	700	950	1140
K(mm)	250	300	300	350	500	500	600	600
Weight(Kg)	39	61	76	122	210	245	447	692

	CLASS900							
size(in)	2"	2-1/2"	3"	4"	5"	6"	8"	
L,L1-RF.BW(mm)	368	419	381	457	559	610	737	
L2-RTJ(mm)	371	422	384	460	562	613	740	
H(mm)	495	540	600	655	670	780	1050	
K(mm)	300	350	350	500	500	350*	350*	
Weight(Kg)	96	79	117	178	305	355	730	

Note: Use "**", mean have fixed the gear box.

	CLASS1500				
size(in)	2"	2-1/2"	3"	4"	6"
L,L1-RF.BW(mm)	368	419	470	546	705
L2-RTJ(mm)	371	422	473	549	711
H(mm)	550	582	625	750	925
K(mm)	300	350	400	450	600
Weight(Kg)	116	125	145	210	475



Description

Bellow Seal Globe Valve is a high quality valve , importing abroad advance technology.

Nominal Pressure(MPa): 1.6, 2.5, 4.0

Sizes: DN15mm to 400mm

Applications: Industry, power stations, flue gas purification plant, processing technology, gas supply, vapour facilities, recycling facilities, vacuum facilities, hot water, heating technology, district heating, thermal oil applications, general plant manufacturing, etc.

Mediums: Steam, gases, hot water, thermal oil, process water, vacuum facilities, ammonia etc.



Description

The globe valve is designed reference to advanced internal and international standard. The body adopts sphere configuration, and it also has the feature of good appearance、 nice function and superior quality.

Applicable Medium: water 、 gas、 oil、 and other causticity medium.

Nominal Pressure(MPa):1.6, 2.5, 4.0, 6.4, 10.0, 16.0

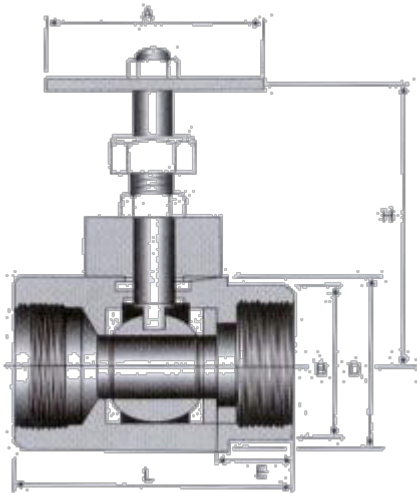
Sizes: DN 10-300

PRODUCT - GLOBE VALVE

FEMALE THREAD GLOBE VALVE



MAIN OUTER SIZE



DN	G	L	E	B	H	A
6	1/4"	60	15	23	80	60
10	3/8"	60	15	26	80	60
15	1/2"	65	16	31	100	70
20	3/4"	80	18	38	108	70
25	1"	90	20	46	118	80
32	1-1/4"	105	21.5	56	126	80
40	1-1/2"	120	23	63	139	100
50	2"	140	24.5	76	157	100



Office Address
SAIF ZONE | PO Box 8047
Sharjah, UAE.
Skype: Unitech Trading (unitechtrading)
Tel / Fax 00971-6-544-8882
Email <mailto:info@unitechtrading.com>

PRODUCT - GLOBE VALVE

FEMALE THREAD GLOBE VALVE

SPECIFICATION

Nominal pressure(Mpa)	PN	2.5,4.0
Strength testing pressure(Mpa)	PT	3.8,6.0,9.6
Low pressure seal test(Mpa)		0.6
High pressure seal test(Mpa)		2.8,4.4,7.04
Applicable medium	water, oil, gas, nitric acid, acetic acid	
Applicable temperature	-40 ~ 180 °C	

Main part & material

Part name	Material
body	WCB,ZG1Cr18Ni9Ti,CF8,CF8M
Disc	1Cr18Ni9Ti 304,316
stem	1Cr18Ni9Ti 304,316
Seal ring	304,316(CF8,CF8M)
Packing	Polytetrafluoroethylene (PTFE)

PRODUCT - GLOBE VALVE

FORGED STEEL GLOBE VALVE



Brief introduction :

Forged steel globe valves are available in three bonnet designs. The first design is the Bolted, with male-female joint, spiral wound gasket, made in F304L/graphite. Ring joint gasket are also available on request. The second design is the welded bonnet, with a threaded and seal welded joint. On request a full penetration strength welded joint is available. The third design is the pressure seal bonnet, with a threaded and pressure seal bonnet joint.

NO.	Part Name	CS to ASTM	AS to ASTM	SS to ASTM	
		Type A105	Type F22	Type F304(L)	Type F316(L)
1	Body	A105	A182 F22	A182 F304(L)	A182 F316(L)
2	Disc	A276 420	A276 304	A276 304(L)	A276 316(L)
3	Stem	A182 F6	A182 F304	A182 F304(L)	A182 F316(L)
4	Gasket	Corrugated SS+ graphite		SS+PTFE	
5	Bonnet Bolt	A105	A276 304	A276 F304(L)	A276 F316(L)
6	Bonnet Bolt	A193 B7	A193 B16	A193 B8	A193 B8M
7	Pin	A276 420		A276 304	
8	Gland	A276 410		A182 F304(L)	A182 F316(L)
9	Gland Eyebolt	A193 B7	A193 B16	A193 B8	A193 B8M
10	Gland Flange	A216 WCB		A351 CF8	
11	Gland Nut	A194 2H	A194 4	A194 8	A194 8M
12	Yoke Nut	A276 410			
13	H.W.Lock Nut	A194 2H	A194 4	A194 8	A194 8M
14	Nameplate	SS			
15	Handwheel	A197			
16	Stem Packing	Flexible			PTFE
Suitable Medium		Water, oil, gas etc.,		Water, oil, gas etc.,	HNO ₃ , CH ₃ OOH etc
Suitable Temperature		-29 °C ~ 425 °C		-29 °C ~ 550 °C	-29 °C ~ 180 °C

PRODUCT - GLOBE VALVE

FORGED STEEL GLOBE VALVE

Technical Specification

- ✘ Globe valves conform to API 602, and ASME B 16.34 ✘ each are tested according to API 598, and marking is per MSS SP-25
- ✘ Full Port or Conventional Port ✘ Outside Screw and Yoke (OS & Y) ✘ Two piece self-aligning packing gland ✘ Bolted bonnet with spiral wound gasket, threaded and seal welded bonnet or threaded and pressure seal bonnet
- ✘ Integral backseat ✘ Socket weld ends to ASME B16.11 ✘ Screwed Ends (NPT) to ANSI/ASME B1.20.1

Main external and connection dimension



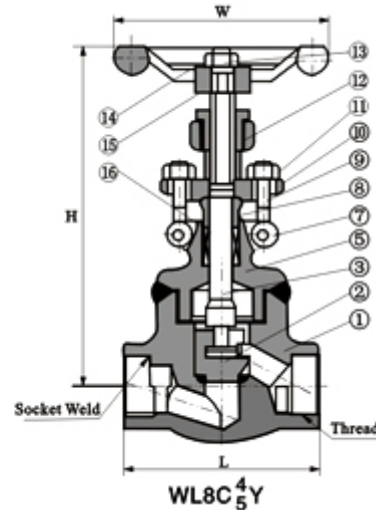
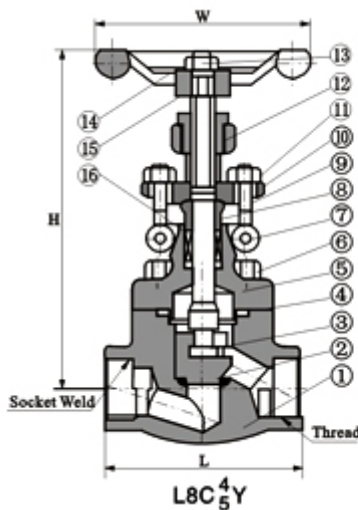
Bolted Bonnet



Welded Bonnet



Pressure Seal Bonnet





Office Address
 SAIF ZONE | PO Box 8047
 Sharjah, UAE.
 Skype: Unitech Trading (unitechtrading)
 Tel / Fax 00971-6-544-8882
 Email <mailto:info@unitechtrading.com>

PRODUCT - GLOBE VALVE

FORGED STEEL GLOBE VALVE

CLASS 800LB

NPS	Conv.	3/8"	1/2"	3/4"	1"	1 1/4"	1 1/2"	2"	
	Full		3/8"	1/2"	3/4"	1"	1 1/4"	1 1/2"	2"
L		79	79	92	111	120	152	172	200
H(OPEN)		166	166	171	207	240	258	330	355
W		100	100	100	125	160	160	180	200
Weight	Bolted	1.9	1.9	2.1	3.5	6.0	7.5	11.4	14.6
	Welded	1.7	1.7	1.9	3.3	5.2	6.8	10.6	13.8

CLASS 900LB~ 1500LB

NPS	Conv.	3/8"	1/2"	3/4"	1"	1 1/4"	1 1/2"	2"	
	Full		3/8"	1/2"	3/4"	1"	1 1/4"	1 1/2"	2"
L		92	111	111	120	152	172	200	220
H(OPEN)		171	207	207	240	258	330	355	370
W		100	125	125	160	160	180	200	240
Weight	Bolted	2.2	3.7	3.6	6.8	7.6	11.6	15.0	21.9
	Welded	2.0	3.4	3.3	6.0	5.6	10.3	14.2	18.0