



Description

Multiport Plug Valve is applicable to change the media flowing direction or to distribute the media. Widely used in industries such as petroleum, chemical industry, pharmacy, chemical fertilizer, power, industry etc.

Nominal Pressure: class 150lb~900lb, PN1.0~16.0

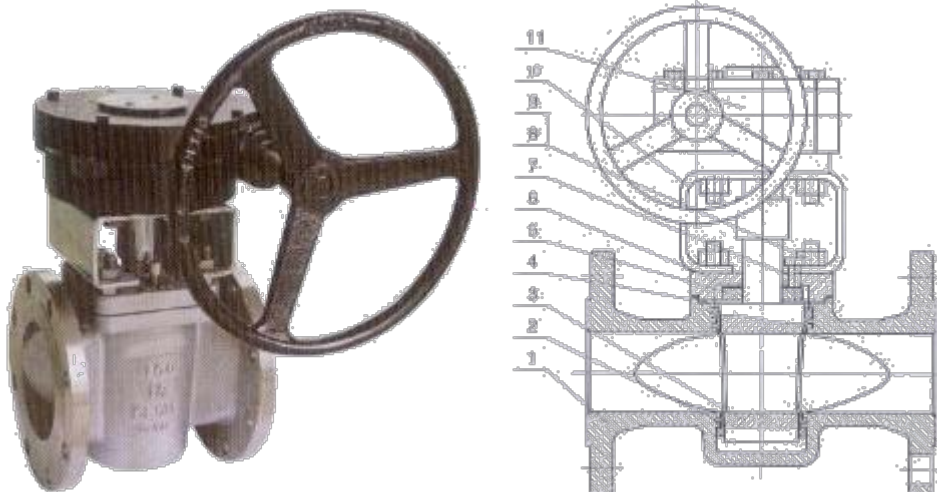
Working temperature : -29 °C~550 °C.



Brief instruction:

DIN Plug Valve is applicable to the cutting and connection of pipelines medium that are used in various industries such as petroleum, chemical industry, pharmacy, chemical fertilizer, power industry etc under nominal pressure of PN1.6~16Mpa, and working temperature of -29~180°C.

Main parts & materials:



PRODUCT - PLUG VALVE
DIN PLUG VALVE

No.	Part name	material
1	Body	GS-C25
		1.7363
		1.4308,1.4408,1.4306,1.4301
2	Sleeve	PTFE
3	Plug	ASTM A182-Gr,F6a,ASTM A182-F22
		ASTM A182-F304,F316,F321,F304L,F316L
4	Gasket	Flexible graphite + stainless steel, PTFE
5	Adjusting gasket	ASTM A182-Gr,F6a,ASTM A182-F22
		ASTM A182-F304,F316,F321,F304L,F316L
6	Cover	GS-C25
		1.7363
		1.4308,1.4408,1.4306,1.4301
7	Adjusting bolt	ASTM A193-B7, A320-B8, A193-B8M
8	Net	ASTM A194-2H, A194-8, A194-8M
9	Bolt	ASTM A193-B7, A320-B8, A193-B8M
10	Yoke	Q235,WCB
11	Worm	

Feature:

The product has reasonable structure, reliable sealing, excellent performance and beautiful appearance. Its sealing is realized by the sealing face around the sleeve. It has unique 360 degree metal edge for protection and fixing of the clipping cover.

There is no cavity in the valve for accumulation of medium.

Metal edge provides the function of self-cleaning when the plug is rotated, applicable to the operation condition that is glutinous and apt to smudge.

Its characteristic double-direction flow makes installation and sue more convenient.

6. The materials of the parts and sizes of flanges can be reasonably configured according the actual operation condition of the requirements of the customers, so as to meet the various needs of engineering.

PRODUCT - PLUG VALVE

DIN PLUG VALVE

Executive standard

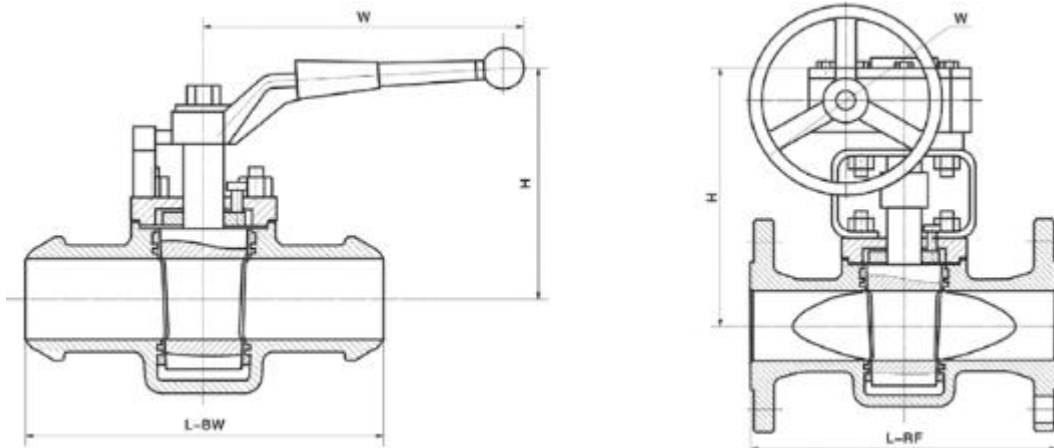
Structural formation	BC
Driving manner	Wrench wheel, worm & worm gear, pneumatic, electric-actuated
Design standard	API599, API6D
Face to face	DIN 3202F!
Flange end	DIN 2543-2549
Test & inspection	DIN 3230

The size of serial valve connecting flange can be designed according to customers' requirement.

Main technical data.

Nominal pressure(MPa)	Shell test(MPa)	Sealing test(MPa)	Suitable temp	Suitable medium
1.6	2.4	1.76	-29~180 °C	Water, oil & gas
2.5	3.75	2.75		
4.0	6.0	4.40		
6.4	9.6	7.04		
10.0	15.0	11.0		
16.0	24.0	17.6		

Main external and connection dimension





Office Address
 SAIF ZONE | PO Box 8047
 Sharjah, UAE.
 Skype: Unitech Trading (unitechtrading)
 Tel / Fax 00971-6-544-8882
 Email <mailto:info@unitechtrading.com>

PRODUCT - PLUG VALVE

DIN PLUG VALVE

KQDX43- 16																
pressure		PN16														
mm	15	20	25	32	40	50	65	80	100	125	150	200	250	300	350	
L		130	150	160	180	200	230	290	310	350	400	480	600	730	850	980
H		150	155	160	180	190	200	220	230	380	460	520	580	620	680	740
W		300	300	300	350	400	500	500	550	300	300	320	320	350	380	380
Weight		9	10	11	13	14	19	23	27	43	62	75	155	222	390	580
KQDX43-25																
pressure		PN25														
mm	15	20	25	32	40	50	65	80	100	125	150	200	250	300	350	
L		130	150	160	180	200	230	290	310	350	400	480	600	730	850	980
H		150	155	160	180	190	200	220	230	380	460	520	580	620	680	740
W		300	300	300	350	400	500	500	550	300	300	320	320	350	380	380
Weight		10	11	13	15	17	22	31	55	77	88	190	190	235	399	630
KQDX43-40																
pressure		PN40														
mm	15	20	25	32	40	50	65	80	100	125	150	200	250	300	350	
L		130	150	160	180	200	230	290	310	350	400	480	600	730	850	980
H		190	195	225	260	280	310	340	395	435	470	535	590	630	680	720
W		120	140	140	180	200	220	260	280	300	340	400	450	450	500	500
Weight		12	14	18	21	24	29	33	39	75	103	146	251	337	521	720
KQDX43-64																
pressure		PN64														
mm	15	20	25	32	40	50	65	80	100	125	150	200	250	300	350	
L		130	150	160	180	200	230	290	310	350	400	480	600	730	850	980
H		190	195	225	260	280	310	340	395	435	470	535	590	630	680	720
W		120	140	140	180	200	220	260	280	300	340	400	450	450	500	500
Weight		14	17	22	25	29	34	43	50	94	123	170	291	430	625	875
note: 100mm or above with worm gear																



Description

Inverted Plug Valve is a self-lubricated taper plug valve designed to offer leak tight operation over its entire service life. Ideally suited for non-corrosive services like compressed air, low pressure gas, fuel oil, hot and cold water and low temperature steam.

Nominal Pressure:150lb-900lb

Nominal Diameter:2"-24"

Connecting Flange: ANSI B16.5/DIN2533

Main Materials:A216WCB/A351CF8, CF8M, CF3, CF3M

Seal Type: soft metal

Standard: DIN, BS,API,GB,JIS

Operation Manner: manual, electric , pneumatic, hydraulic, and (worm) gear operation



Description

It's simple and rugged design make it suitable for severe applications at high temperatures or with highly abrasive or erosive materials. Lift Plug Valve is utilized as an Isolation and Switch valve. In visbreaking, cracking, hydroprocessing, distillation and deasphalting refinery applications, the lift plug has proven to be an ideal isolation valve with many advantages over traditional ball valves and t-pieces.

Features:

- Seat seal design ensures a perfect seal
- Seals are not worn during operation
- No dead spaces
- Integral Block and Bleed
- Available in high temperature and pressure designs
- Electric, pneumatic, and hydraulic actuation available
- Straight or Inverted Plug, full or reduced bore, round or oval
- Top or bottom entry for easy maintenance
- Nominal Pressure:CL150-600lb
- Nominal Diameter:2-14"



Description

Lubricated plug valve is a self-lubricated taper plug valve designed to offer leak tight operation over its entire service life. Ideally suited for non-corrosive services like compressed air, low pressure gas, fuel oil, hot and cold water and low temperature steam.

Nominal Pressure:150lb-900lb

Nominal Diameter:2"-24"

Connecting Flange: ANSI B16.5/DIN2533

Main Materials:A216WCB/A351CF8, CF8M, CF3, CF3M

Seal Type: soft metal

Standard: DIN, BS,API,GB,JIS

Operation Manner: manual, electric , pneumatic, hydraulic, and (worm) gear operation



Description

Orbit plug valve (general valve) is applicable to the cutting and connection of pipelines medium that are used in various industries such as petroleum, chemical industry, chemical fertilizer, power industry etc under nominal pressure of CLASS150-900LBS, and working temperature of -29°C to 180°C

Features:

Reasonable structure, reliable sealing, excellent performance and beautiful appearance;

Sealing is realized by the sealing rings around the valve disc. It has unique protection of wallow-tailed sink and fixed sealing rings;

Characteristic double-direction flow makes installation and use more convenient;

The materials of the parts and sizes of flanges can be reasonably configured according to the actual operating condition of the requirements of the customize, so as to meet the various needs of engineering



Description

Pneumatic plug valve includes 3-way, four way plug valve, which is applicable to change the media flowing direction or to distribute the media. Widely used in industries such as petroleum, chemical industry, pharmacy, chemical fertilizer, power, industry etc.

Nominal Pressure: class 150lb~900lb, PN1.0~16.0

Working temperature : -29 °C~550 °C.

Structure Feature :

1. The product has reasonable structure, reliable sealing, excellent performance and beautiful appearance.
2. According to different conditions, the 3 way, 4 way plug valve can be designed into multiple media flowing forms (eg. "L" type or "T" type) or all kinds of material (eg. Iron, cast steel , stainless steel) or sealing type (eg. Metal to metal , sleeve type , lubricated type etc.)
3. The materials of parts and sizes of flanges can be reasonably configured according the actual operating condition of the requirements of the customers, so as to meet various needs of engineering.
4. Driving manner: Wrench, Worm, Worm gear pneumatic, electric- actuated.



Description

Its sealing is realized by the sealing face around the sleeve.

Structural formation: BC

Driving manner: Wrench wheel, worm & worm gear, pneumatic, electric-actuated

Design standard: API599, API6D

Face to face: ASME B16.10

Flange ends: ASME B16.5

Test & inspection: API598, API6D

Size: DN50-350/2"-24"

Nominal pressure: 150-900Lb

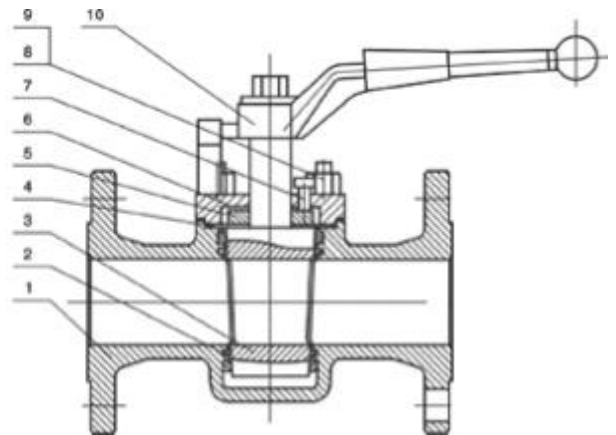
Main material: WCB, WC1, WC6, WC9, C5, CF8, CF8M, CF3M.

Medium: Water, Gas, Oil etc.



Brief instruction:

ANSI Plug Valve is applicable to the cutting and connection of pipelines medium that are used in various industries such as petroleum, chemical industry, pharmacy, chemical fertilizer, power industry etc under nominal pressure of CLASS 150-900LBS, and working temperature of -29~180°C.





Office Address
 SAIF ZONE | PO Box 8047
 Sharjah, UAE.
 Skype: Unitech Trading (unitechtrading)
 Tel / Fax 00971-6-544-8882
 Email <mailto:info@unitechtrading.com>

PRODUCT - PLUG VALVE

ANSI PLUG VALVE

No.	Part name	material
1	Body	ASTM A216 WCB
		ASTM A217-WC1,WC6,WC9,C5
		ASTM A351-CF8,CF8M,CF3,CF3M
2	Sleeve	PTFE
3	Plug	ASTM A182-Gr,F6a,ASTM A182-F22
		ASTM A182-F304,F316,F321,F304L,F316L
4	Gasket	Flexible graphite + stainless steel, PTFE
5	Adjusting gasket	ASTM A182-Gr,F6a,ASTM A182-F22
		ASTM A182-F304,F316,F321,F304L,F316L
6	Cover	ASTM A216 WCB
		ASTM A217-WC1,WC6,WC9,C5
		ASTM A351-CF8,CF8M,CF3,CF3M
7	Adjusting bolt	ASTM A193-B7, A320-B8, A193-B8M
8	Net	ASTM A194-2H, A194-8, A194-8M
9	Bolt	ASTM A193-B7, A320-B8, A193-B8M
10	wrench	ASTM A105-WCB

Feature:

The product has reasonable structure, reliable sealing, excellent performance and beautiful appearance. Its sealing is realized by the sealing face around the sleeve. It has unique 360 degree metal edge for protection and fixing of the sleeve.

There is no cavity in the valve for accumulation of medium.

Metal edge provides the function of self-cleaning when the plug is rotated, applicable to the operation condition that is glutinous and apt to smudge.

Its characteristic double-direction flow makes installation and use more convenient.

6. The materials of the parts and sizes of flanges can be reasonably configured according to the actual operation condition of the requirements of the customers, so as to meet the various needs of engineering.

PRODUCT - PLUG VALVE

ANSI PLUG VALVE

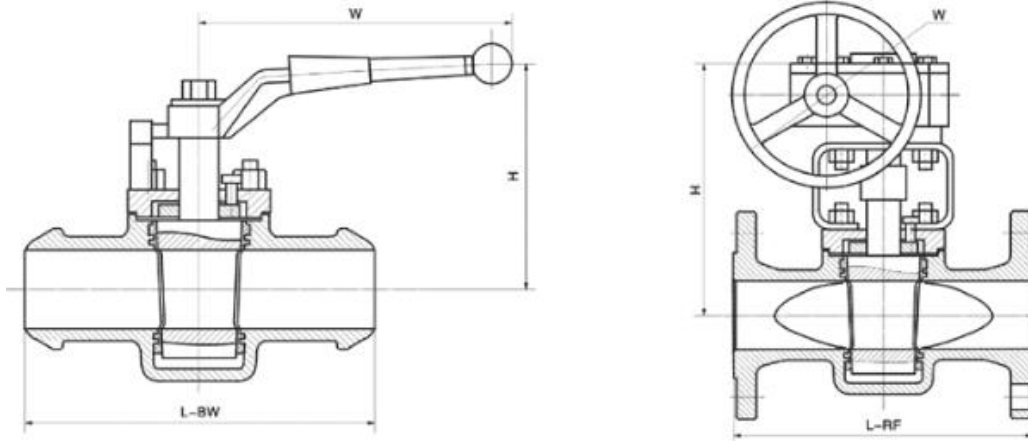
Executive standard

Structural formation	BC
Driving manner	worm & worm gear, pneumatic, electric-actuated , Wrench wheel
Design standard	API599, API6D
Face to face	ASME B16.10
Flange end	ASME B16.5
Test & inspection	API598, API6D

The size of serial valve connecting flange can be designed according to customers requirement.

Nominal pressure(LB)	Shell test(M P a)	Sealing test(M P a)	Suitable temp	Suitable medium
150	3.0	2.2	-29~180 °C	Water, oil & gas
300	7.5	5.5		
600	15.0	11.0		
900	22.5	16.5		

Main external and connection dimension



model		KQAX43-150LB														
pressure		150LB														
size	mm	15	20	25	32	40	50	65	80	100	125	150	200	250	300	350
	in	1/2	3/4	1	1 1/4	1 1/2	2	2 1/2	3	4	5	6	8	10	12	14
L		108	117	127	140	165	178	190	203	229	254	267	292	330	356	381
H		110	115	115	135	140	150	165	180	380	460	520	580	620	680	760
W		175	175	175	220	280	305	350	405	300	300	320	320	350	380	450
Weight		8.5	9.5	10.5	12	14	18	22	26	40	60	70	130	219	381	570
note: 4" or above with worm gear																



Office Address
 SAIF ZONE | PO Box 8047
 Sharjah, UAE.
 Skype: Unitech Trading (unitechtrading)
 Tel / Fax 00971-6-544-8882
 Email <mailto:info@unitechtrading.com>

PRODUCT - PLUG VALVE

ANSI PLUG VALVE

model		KQAX43-300LB														
pressure		300LB														
size	mm	15	20	25	32	40	50	65	80	100	125	150	200	250	300	350
	in	1/2	3/4	1	1 1/4	1 1/2	2	2 1/2	3	4	5	6	8	10	12	14
L		140	152	165	178	190	216	241	283	305	381	403	419	457	502	762
H		110	115	115	135	140	150	165	180	380	460	520	580	620	680	760
W		175	175	175	220	280	305	350	405	300	300	320	320	350	380	450
Weight		9.5	10.5	12	14	16	20	24	29	53	75	85	185	230	390	550
note: 4" or above with worm gear																