



Office Address
SAIF ZONE | PO Box 8047
Sharjah, UAE.
Skype: Unitech Trading (unitechtrading)
Tel / Fax 00971-6-544-8882
Email <mailto:info@unitechtrading.com>

PRODUCT - STRAINER

BACKFLOW PREVENTER



Description

The valve is new and high quality backflow preventer, importing abroad advance technology. This avoids the risk of any contamination from a property flowing back through connections to the water supply system.

Nominal Pressure: 1.6MPa

Sizes:DN50-600



Description

The strainer may be used on all types of pipelines to collect granulated foreign substances and contaminants collected. It can improve the clearance in the medium, and prolong the life of valves and other equipments. It is suitable for wafer, petroleum and steam.

Material & material

Body: gray cast iron, cast iron, ductile iron

Filter: stainless steel

Stretchy connection: carbon steel with zinc coated

O-ring: NBR

Technical Specification

Nominal diameter:50-400mm

Nominal pressure:1.0/1.6/2.5Mpa



Office Address
SAIF ZONE | PO Box 8047
Sharjah, UAE.
Skype: Unitech Trading (unitechtrading)
Tel / Fax 00971-6-544-8882
Email <mailto:info@unitechtrading.com>

PRODUCT - STRAINER

CAST IRON STRAINER



Description

The strainer may be used on all types of pipelines to collect granulated foreign substances and contaminants collected. It can improve the clearance in the medium, and prolong the life of valves and other equipments. It is suitable for water, petroleum and steam.

Standard:

End Flange Dimensions: ANSI B16.1

Wall thickness: ANSI B16.1

Working Pressure:

2" to 12" 125psi Steam, Basic Rating

200psi Cold Working Pressure

14" to 18" 100psi Steam, Basic Rating

150psi Cold Working Pressure

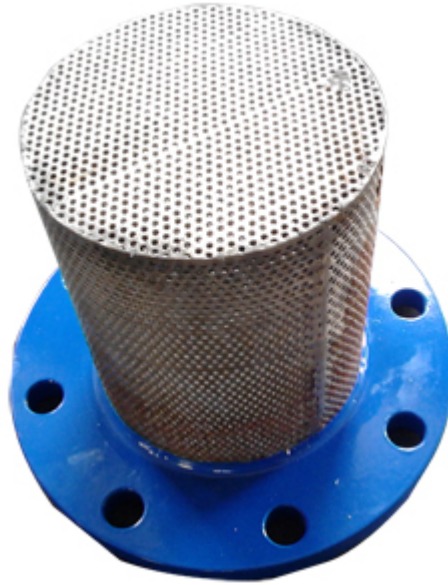


Description

Foot valve is a kind of energy-saving valve to prevent medium in the pipe flow back to water source. There are many inlet holes and reinforcing ribs in the valve cover, so the pipe will not be easily clogged up. Moreover, Strainer improves the clearance in the medium, and prolong the life of valves and other equipments. So Foot Valve with Strainer is good choice for water supply.

Nominal Pressure(MPa): 1.0, 1.6

Sizes: DN50-300



Inlet filter made by steel flange add stainless steel filter. It can work in tough medium conditions. The SS304 can handle corrosive effects of the medium and perform a durable cycle. It can use different mesh size for different need.



Description

Straight Flow Strainer is mainly installed inlet of water meter or other equipments, which can improve the clearance in the medium, and prolong the life of valves and other equipments.

Feature:

- Quick open cover
- Straight through flow design
- Low pressure loss
- Quick and easy to service
- Nominal Pressure: 1.0~1.6 MPa
- Sizes: DN50-200



Brief introduction :

The strainer may be used on all types of pipelines to collect granulated foreign substances and contaminants collected. It can improve the clearance in the medium, and prolong the life of valves and other equipments. It is suitable for water, petroleum and steam.

Material & material

Body: gray cast iron, cast iron, ductile iron

Filter: stainless steel

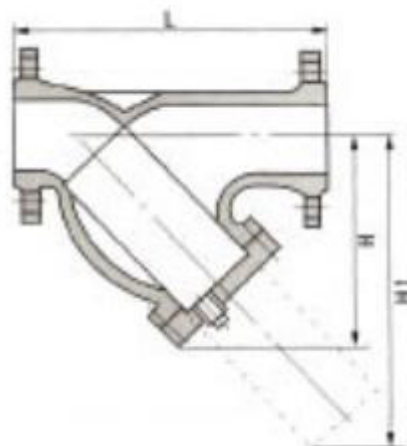
O-ring: NBR

Technical Specification

-Nominal diameter : 65~500mm

-Nominal pressure : 1.0/1.6/2.5Mpa

Main external and connection dimension





Office Address
 SAIF ZONE | PO Box 8047
 Sharjah, UAE.
 Skype: Unitech Trading (unitechtrading)
 Tel / Fax 00971-6-544-8882
 Email <mailto:info@unitechtrading.com>

PRODUCT - STRAINER

Y STRAINER

SG41H-10/SG41H-16/SG41H-25											mm	
DN	65	80	100	125	150	200	250	300	350	400	450	500
L	250	280	350	400	440	500	580	670	780	850	850	1000
H	198	210	250	305	358	450	503	578	598	618	693	765
H1	270	295	344	422	485	602	710	815	844	872	978	1080



Description

Mainly used for urban water supply network and all kinds of user's pipelines. It can strictly prevent pollution flowing back.

- 1) Nominal pressure: PN1.6MPa
- 2) Nominal diameter: DN50-600mm
- 3) Attended mode: Flange ends
- 4) Working temperature $\leq 120^{\circ}\text{C}$



Description

Main part & material

Body: gray cast iron, cast iron, ductile iron

Filter: stainless steel

Stretchy connection: carbon steel with zinc coated

O-ring: NBR

Technical Specification

Nominal diameter: 50~400mm

Nominal pressure: 1.0/1.6/2.5Mpa



Description

The strainer may be used on all types of pipelines to collect granulated foreign substances and contaminants collected. It can improve the clearance in the medium, and prolong the life of valves and other equipments. It is suitable for wafer, petroleum and steam.

Material & material

Body: gray cast iron, cast iron, ductile iron

Filter: stainless steel

Stretchy connection: carbon steel with zinc coated

O-ring: NBR

Technical Specification

Nominal diameter: 50~400mm

Nominal pressure: 1.0/1.6/2.5Mpa