

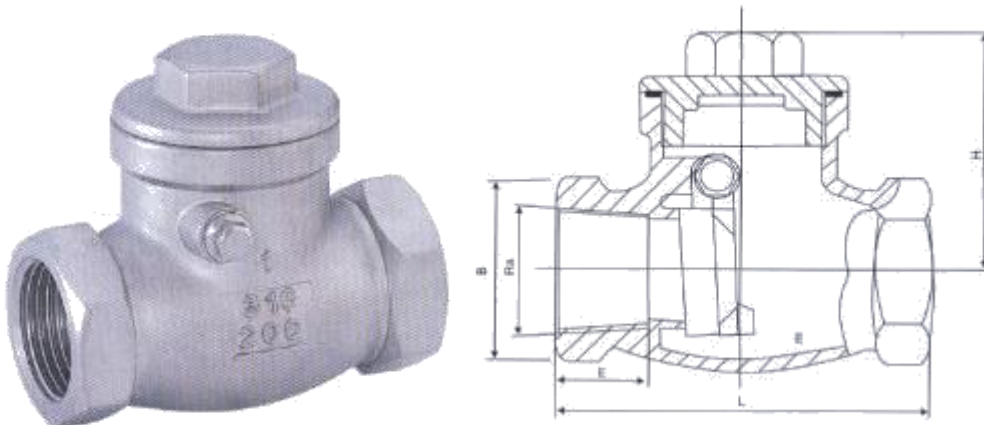


**Brief introduction :**

The check valve is designed and manufactured according to API 6D and ANSI B 16.34. It can work in high temperature and pressure circumstance. It also has the features of good appearance, nice function and superior, widely used with petroleum, chemical water treatment industries.

**Main part & material**

Part name	Material
body	WCB,ZG1Cr18Ni9Ti,CF8,CF8M
Disc	1Cr18Ni9Ti 304,316
stem	1Cr18Ni9Ti 304,316
Seal ring	304,316(CF8,CF8M)
Packing	Polytetrafluoroethylene (PTFE)





Office Address  
 SAIF ZONE | PO Box 8047  
 Sharjah, UAE.  
 Skype: Unitech Trading (unitechtrading)  
 Tel / Fax 00971-6-544-8882  
 Email <mailto:info@unitechtrading.com>

**PRODUCT - CHECK VALVE**

**Stainless Steel Female Thread Check Valve**

DN	G	L	E	B	H
6	1/4"	60	10	24	45
10	3/8"	60	10	24	45
15	1/2"	65	12	26	48
20	3/4"	80	17	32	53
25	1"	91	20	14	59
32	1-1/4"	104	20	51	70
40	1-1/2"	120	20	58	75
50	2"	140	23	69	84

**Specification**

Nominal pressure(Mpa)	PN	2.5,4.0
Strength testing pressure(Mpa)	PT	3.8,6.0,9.6
Low pressure seal test(Mpa)		0.6
High pressure seal test(Mpa)		2.8,4.4,7.04
Applicable medium	water, oil, gas, nitric acid, acetic acid	
Applicable temperature	-40 ~ 180 °C	

**Feature:**

Resist friction: Valve disc is given enough intensity and rigidity. Disc sealing surface may be built-up welded with satellite alloy inlaid or other material responding to the users' request.

Agility of switch: Solid ping is precisely installed and provided with high intensity to ensure operational performance and service life of valve.

Sealing credibility: The check valve adopt swing configuration. All the sealing part inside the valve, so all exterior leak may except the middle flange, and also the middle flange gasket may be different according to pressure class.

Distortion compensating: The disc and the hinge are connected between slippery spherical surface, and this makes the disc can circumgyrate in a little angle and regulates the sealing capability.