



Brief introduction :

The check valve is designed and manufactured according to API 6D and ANSI B 16.34. It can work in high temperature and pressure circumstance. It also has the features of good appearance, nice function and superior. Widely used in petroleum, chemistry, water treatment industries.

Features:

-Resist friction

Valve disc is given enough intensity and rigidity. Disc sealing surface may be built-up welded with satellite alloy inlaid or other material responding to the users' request.

-Agility of switch

Solid ping is precisely installed and provided with high intensity to ensure operational performance and service life of valve.

-Sealing credibility

The check valve adopt swing configuration. All the sealing part inside the valve, so all exterior leak may except the middle flange, and also the middle flange gasket may be different according to pressure class.

-Distortion compensating

The disc and the hinge are connected between slippery spherical surface, and this makes the disc can circumgyrate in a little angle and regulates the sealing capability.



Office Address
SAIF ZONE | PO Box 8047
Sharjah, UAE.
Skype: Unitech Trading (unitechtrading)
Tel / Fax 00971-6-544-8882
Email <mailto:info@unitechtrading.com>

PRODUCT - CHECK VALVE

Swing Check Valve

Main part & material

	Item Name of parts	material
1	Body	WCB, CF8
2	Seat	304, A105+ satellite
3	Disc	304, A105+ satellite
4	Gasket	Graphite+304
5	Bonnet	WCB,CF8
6	Yoke	WCB, CF8
7	Hinge	WCB, CF8,2Cr13
8	Hinge pin	2Cr13, 304

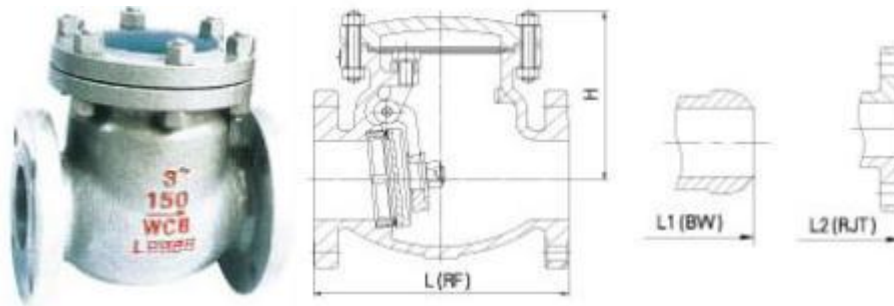
Technical Specification

- Nominal diameter: 2"-24"
 - Applicable Temperature: -29°C~425°C
 - Nominal pressure: 150Lb 300Lb 600Lb 900Lb
 - Applicable Medium: water, gas, oil, and other causticity medium.
- Applications Standard
- Manufacture standard: ANSI B16.34
 - Face to face dimension: ANSI B 16.10, API 6D
 - Flange dimension: ANSI B 16.5
 - Test: API 598

PRODUCT - CHECK VALVE

Swing Check Valve

Main external and connection dimension



CLASS150

size(in)	2"	2-1/2"	3"	4"	5"	6"	8"	10"	12"	14"	16"	18"	20"	24"
L,L1-RF.BW	203	216	214	292	330	356	495	622	699	787	864	978	978	1295
L2-RTJ(mm)	216	229	254	305	343	368	508	635	717	800	876	991	991	1308
H(mm)	155	190	200	225	245	260	350	390	410	435	530	570	625	675
Weight(Kg)	16	25	34	46	75	89	120	220	337	471	575	788	916	1275

CLASS300

size(in)	2"	2-1/2"	3"	4"	5"	6"	8"	10"	12"	14"	16"	18"	20"	24"
L,L1-RF.BW	267	292	318	355	400	440	533	622	711	838	863	977	1016	1346
L2-RTJ(mm)	283	308	333	371	416	460	549	638	727	854	854	994	1036	1368
H(mm)	180	200	225	240	275	310	370	410	440	500	500	605	675	785
Weight(Kg)	26	32	53	73	110	157	234	384	450	650	650	970	1350	2210

CLASS600

size(in)	2"	2-1/2"	3"	4"	5"	6"	8"	10"	12"	14"	16"	18"	20"
L,L1-RF.BW	292	330	356	432	508	559	660	787	838	889	991	1092	1194
L2-RTJ(mm)	295	333	359	435	511	562	664	791	841	892	994	1095	1200
H(mm)	190	215	250	260	310	350	420	490	525	580	630	690	810
Weight(Kg)	33	49	62	95	120	195	360	465	725	875	1075	1475	1900

CLASS900

size(in)	2"	2-1/2"	3"	4"	5"	6"	8"	10"	12"	14"
L,L1-RF.BW	368	419	381	457	559	610	737	838	965	1029
L2-RTJ(mm)	371	422	384	460	562	613	740	841	968	1038
H(mm)	195	235	260	275	320	370	435	520	530	580
Weight(Kg)	55	70	90	135	165	295	525	900	1075	1225