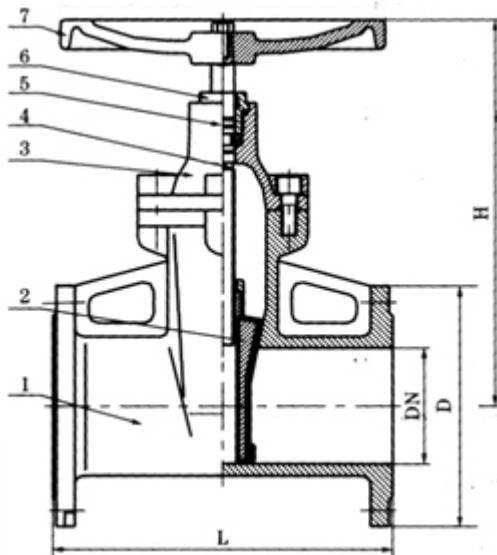




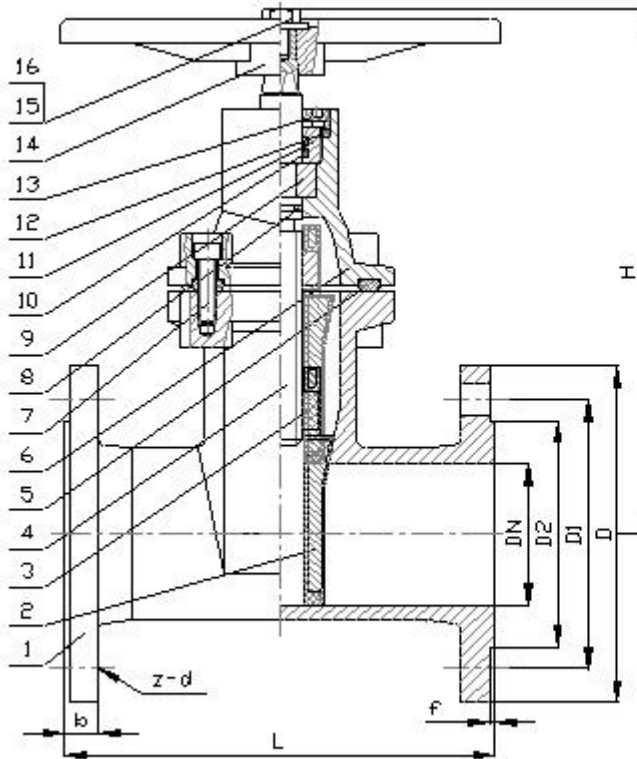
Application: sewage disposal, electric power, chemical, shipping, energy sources etc.

One design as follows for your reference. We can make as per your request.



PRODUCT - GATE VALVE

DIN F5 Gate Valve



DN	D	D1	D2	L	b	f	Z-d	H
ø40	ø150	ø110	ø84	240	19	3	4-ø19	203
ø50	ø165	ø125	ø99	250	19	3	4-ø19	223
ø65	ø185	ø145	ø118	270	19	3	4-ø19	248
ø80	ø200	ø160	ø132	280	19	3	8-ø19	274
ø100	ø220	ø180	ø156	300	19	3	8-ø19	307
ø125	ø250	ø210	ø184	325	19	3	8-ø19	362
ø150	ø285	ø240	ø211	350	19	3	8-ø23	400
ø200	ø340	ø295	ø266	400	20	3	12-ø23	487
ø250	ø400	ø355	ø319	450	22	3	12-ø28	573
ø300	ø455	ø410	ø370	500	24.5	4	12-ø28	661
ø350	ø520	ø470	ø429	550	26.5	4	16-ø28	733
ø400	ø580	ø525	ø480	600	28	4	16-ø31	810
ø450	ø640	ø585	ø548	650	30	4	20-ø31	889

NO	PART NAME	MATERIAL	STANDARD
1	BODY	DUCTILE IRON	GGG50
2	WEDGE	DUCTILE IRON/NBR	GGG50/NBR
3	STEM NUT	BRASS	
4	STEM	STAINLESS STEEL	13CR
5	GASKET	NBR	
6	BONNET	DUCTILE IRON	GGG50
7	BONNET BOLT	CARBON STEEL	A3
8	O-RING	NBR	
9	LOCATING RING	BRASS	
10	O-RING	NBR	
11	BONNET NUT	BRASS	
12	MINIPAD	TFL	
13	DUST RING	NBR	
14	WHEEL	CARBON STEEL	A3
15	WASHER	CARBON STEEL	A3
16	BOLT	CARBON STEEL	A3