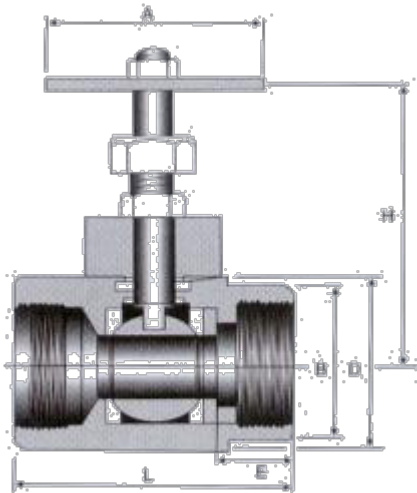


PRODUCT - GLOBE VALVE

FEMALE THREAD GLOBE VALVE



MAIN OUTER SIZE



DN	G	L	E	B	H	A
6	1/4"	60	15	23	80	60
10	3/8"	60	15	26	80	60
15	1/2"	65	16	31	100	70
20	3/4"	80	18	38	108	70
25	1"	90	20	46	118	80
32	1-1/4"	105	21.5	56	126	80
40	1-1/2"	120	23	63	139	100
50	2"	140	24.5	76	157	100



Office Address
SAIF ZONE | PO Box 8047
Sharjah, UAE.
Skype: Unitech Trading (unitechtrading)
Tel / Fax 00971-6-544-8882
Email <mailto:info@unitechtrading.com>

PRODUCT - GLOBE VALVE

FEMALE THREAD GLOBE VALVE

SPECIFICATION

Nominal pressure(Mpa)	PN	2.5,4.0
Strength testing pressure(Mpa)	PT	3.8,6.0,9.6
Low pressure seal test(Mpa)		0.6
High pressure seal test(Mpa)		2.8,4.4,7.04
Applicable medium	water, oil, gas, nitric acid, acetic acid	
Applicable temperature	-40 ~ 180 °C	

Main part & material

Part name	Material
body	WCB,ZG1Cr18Ni9Ti,CF8,CF8M
Disc	1Cr18Ni9Ti 304,316
stem	1Cr18Ni9Ti 304,316
Seal ring	304,316(CF8,CF8M)
Packing	Polytetrafluoroethylene (PTFE)