



BRIEF INTRODUCTION :

The non-rising stem gate valve, the whole body of strobe is treated with rubber up to good seal conquering bad seal, slack, rustiness and so on and saving installation space effectively. This valve widely applied in the liquid pipes for open or close fixed in such water, sewage disposal, electric power, energetics pipe, chemical, shipping, energy sources etc.

FEATURES

⊙Shot-blasting

protective surface finished by shot-blasting and the surface is smooth and neatness.

⊙Flatting seat

Smooth continuous bore way without seating recess, it is not easy to get impurity piled up.

Making the liquid straightway.

⊙Treating with rubber

Both inner and outer are coated with advanced knowledge of rubber vulcanization to the elasticity of rubber, and making sure the exact geometry dimension. Rubber and ductile cast iron valve are together hardly. This can avoid fall-off for long-term use.

⊙Anti- corrosion

Both inner and outer are coated with non-toxic powder epoxy resin to strengthen the capacity of Corrosion resisting and raise the quality of water supply.

⊙Ruggedization

The older ductile iron valve is easy to rupture after being impacted by nonego. It can stop rupture depend on the good mechanics capability of ductile iron .

⊙Three “o” sealed ring

With the three “O” – rings, the leakage can be greatly reduced and the “O” – ring can be replaced under this condition with pressure and without stopping water. The thrust axletree reduces the frictional resistance and lowers the operational torque. And it can be switch seal



Office Address
SAIF ZONE | PO Box 8047
Sharjah, UAE.
Skype: Unitech Trading (unitechtrading)
Tel / Fax 00971-6-544-8882
Email <mailto:info@unitechtrading.com>

PRODUCT - GATE VALVE

Non Rising Stem Resilient Seat Gate Valve

ring without opening and closing.

⊙ Rigid round body

The body is founded minutely, the rigid geometry size ensure inner sealing of valve without any process.

⊙ Light weight

This body is made of ductile iron, it is 20%-30% lighter than the olds. Easy to fix and serve.

TECHNIC CRITERION

Nominal pressure: 1.0~1.6MPa

Applicable medium: water, sewage, oil, gas etc.

Applicable temperature: ≤120°C

Main material of valve: ductile iron、 iron.

APPLICABLE STANDARDS

⊙ American Standard

Design to ANSI/AWWA C509

Face to face dimension to ASME B16.10-2000(ISO 3 series)

Flange and drilling To SME/ANSI B16.42-1998

⊙ British Standard

Design to BS5163、 BS5150

Face to face dimension to BS5163(ISO 3series、 ISO19 series)

Flange and drilling To BS4504 part1(EN1092)

⊙ Germany Standard

Design to DIN3352

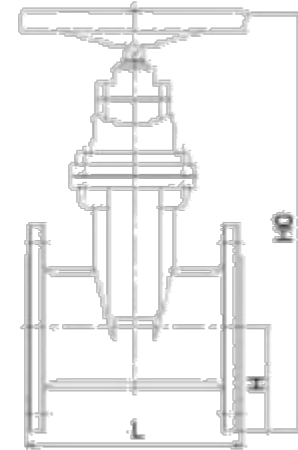
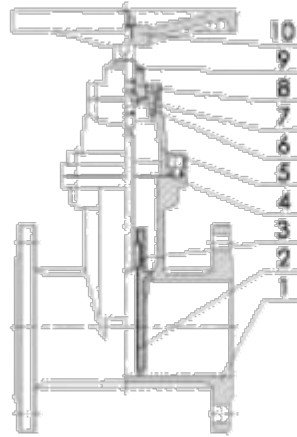
Face to face dimension to DIN3202(F4:ISO 14 series;F5: ISO 15 series)

Flange and drilling to BS EN1092

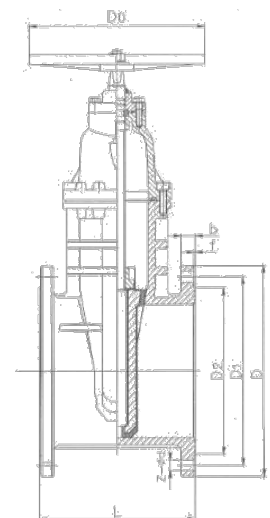
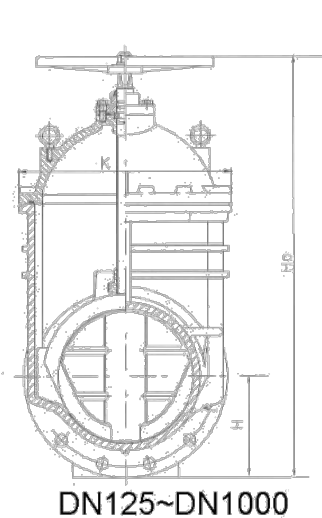
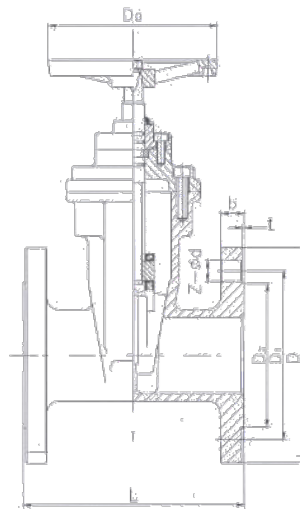
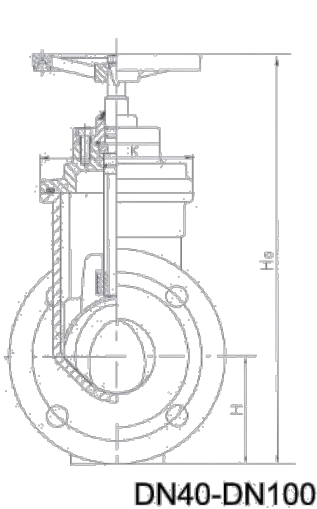
Item Name of part Material Spec

PRODUCT - GATE VALVE

Non Rising Stem Resilient Seat Gate Valve



NO	Part name	Material
1	Body	Ductile cast iron
2	Wedge	Ductile cast iron + EPDM
3	Stem nut	ZCuAl10Fe3 Gunmetal
4	Gasket	EPDM
5	Bonnet	Ductile cast iron
6	Gland gasket	ZCuAl10Fe3 Gunmetal
7	Stem	2Cr13 S.S.x 20Cr13
8	Gland	Ductile cast iron
9	Rubber wiper	EPDM/NBR
10	Hand wheel	Ductile cast iron



PRODUCT - GATE VALVE

Non Rising Stem Resilient Seat Gate Valve

Resilient seated non rising stem British standard, outline and connecting dimensions according to BS5163,(ISO 3 series);BS4504.3.2-89(10BAR);

Diameter DN		Outside dimension					Connection dimension					
mm	inch	L	K	H	H0	D0	D	D1	D2	b	t	Z-d
40	1-1/2"	165	104	75	310	160	150	110	84	19	3	19-Apr
50	2	178	125	83	320	160	165	125	99	19	3	19-Apr
65	2-1/2"	190	130	93	370	180	185	145	118	19	3	19-Apr
80	3	203	152	100	410	180	200	160	132	19	3	19-Aug
100	4	229	195	110	460	250	220	180	156	19	3	19-Aug
125	5	254	255	125	530	280	250	210	184	19	3	19-Aug
150	6	267	286	143	600	320	285	240	211	19	3	23-Aug
200	8	292	345	170	730	380	340	295	266	20	3	23-Aug
250	10	330	415	198	850	400	395	350	319	22	3	23-Dec
300	12	356	480	223	960	450	445	400	370	25	4	23-Dec
350	14	381	520	253	1070	450	505	460	429	25	4	16-23
400	16	406	576	283	1180	500	565	515	480	25	4	16-28
450	18	432	630	308	1300	500	615	565	530	26	4	20-28
500	20	457	695	335	1415	600	670	620	582	27	4	20-28
600	24	508	800	390	1630	600	780	725	682	30	5	20-31
700	28	610	910	448	1810	600	895	840	794	33	5	24-31
800	31-1/2"	660	1020	508	2040	600	1015	950	901	35	5	24-34
900	36	711	1145	558	2350	600	1115	1050	1001	38	5	28-34
1000	40	811	1260	615	2580	600	1230	1160	1112	40	5	28-37



Office Address
SAIF ZONE | PO Box 8047
Sharjah, UAE.
Skype: Unitech Trading (unitechtrading)
Tel / Fax 00971-6-544-8882
Email <mailto:info@unitechtrading.com>

PRODUCT - GATE VALVE

Non Rising Stem Resilient Seat Gate Valve

Resilient seated non rising stem British standard, outline and connecting dimensions according to BS5163,(ISO 3 series);BS4504.3.2-89(16BAR);

Resilient seated non rising stem Chinese standard, outline and connecting dimensions according to GB12221-89(3)(ISO 3 series);GB/T17241.6-98(16 bar)